

Gearbox for a Changing World

Planetary Gearbox

ZE Precision Series

ZE Series Compatible Motor Table

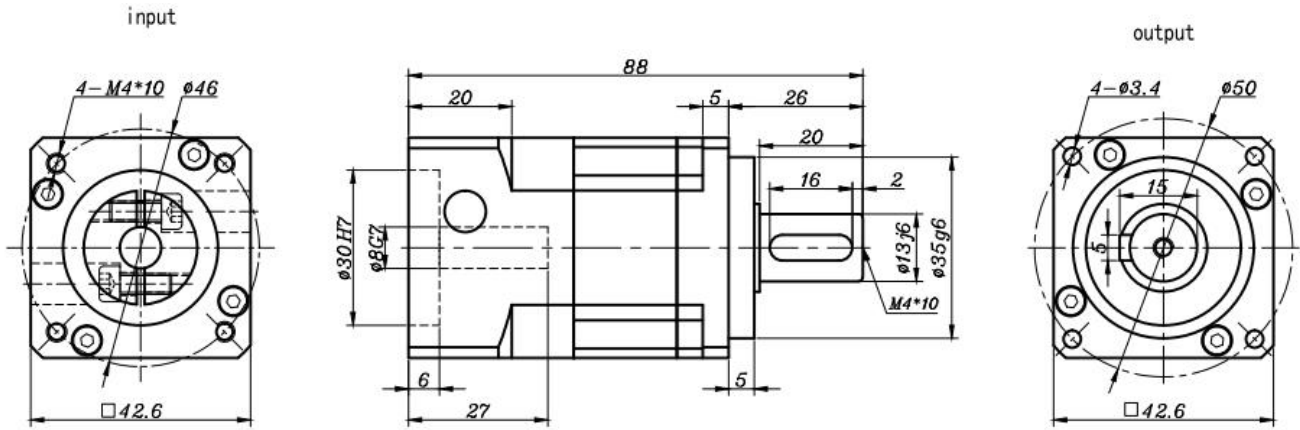
Type	Motor Frame Code	Power Rating	Output Shaft Diameter (S) & Length (LR) (mm)	Stage	Ratio	Backlash Class	Compatible Gearbox Model No.
ZE042	F40	100W	Φ13 / 16	1-stage	3, 4, 5, 7, 10	3	ZE042-C10401ES
ZE060	F60	200W, 400W	Φ14 / 30	1-stage	3, 4, 5, 7, 10	3	ZE060-C10604RS
ZE090	F80	750W	Φ19 / 35	1-stage	3, 4, 5, 7, 10	3	ZE090-C10807RS
ZE090	F100	1kW, 2kW	Φ22 / 45	1-stage	3, 4, 5, 7, 10	3	ZE090-C11010RS
ZE090	F130	300W, 500W, 600W, 800W, 900W 1kW, 1.3kW, 1.5kW, 1.8kW, 2kW	Φ22 / 55	1-stage	3, 4, 5, 7, 10	3	ZE090-E11310RS ZE090-E11315RS ZE090-E11320RS
ZE120	F130	3kW	Φ22 / 55	1-stage	3, 4, 5, 7, 10	3	ZE120-E11310RS ZE120-E11315RS ZE120-E11320RS
ZE140	F160	3kW		1-stage	3, 4, 5, 7, 10	3	ZE140-L11830RS
ZE042	F40	100W	Φ13 / 16	2-stage	15, 20, 25, 30, 35, 40,50,70,100	5	ZE042-C10604RS
ZE060	F60	200W, 400W	Φ14 / 30	2-stage	15, 20, 25, 30, 35, 40,50,70,100	5	ZE060-C10604RS
ZE090	F80	750W	Φ19 / 35	2-stage	15, 20, 25, 30, 35, 40,50,70,100	5	ZE090-C10807RS
ZE090	F100	1kW, 2kW	Φ22 / 45	2-stage	15, 20, 25, 30, 35, 40,50,70,100	5	ZE090-C11010RS
ZE090	F130	300W, 500W, 600W, 800W, 900W 1kW, 1.3kW, 1.5kW,	Φ22 / 55	2-stage	15, 20, 25, 30, 35, 40,50,70,100	5	ZE090-E11310RS ZE090-E11315RS
PE120	F130	3kW	Φ22 / 55	2-stage	15, 20, 25, 30, 35, 40,50,70,100	5	ZE120-E11310RS ZE120-E11315RS ZE120-E11320RS
ZE140	F160	3kW		2-stage	15, 20, 25, 30, 35, 40,50,70,100	5	ZE140-L11830RS

Specifications

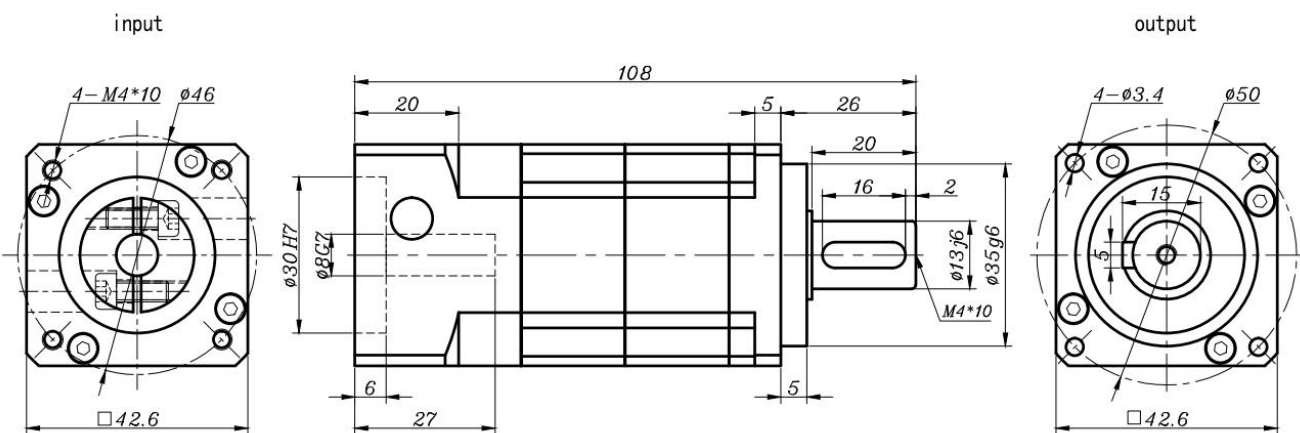
Items	Unit	Stage	Ratio	42	60	90	120	140
Rated Output Torque	N-m	1	3	19	35	100	170	342
			4	20	40	110	220	542
			5	20	45	125	250	650
			7	19	40	110	200	550
			10	14	30	80	180	450
		2	15	19	35	100	170	342
			20	20	45	110	220	542
			25	20	45	125	250	650
			30	19	40	110	220	600
			35	20	40	125	200	550
			40	20	40	110	220	542
			50	20	45	125	250	650
			70	19	40	110	200	550
			100	14	30	80	180	450
Max. Acceleration Torque	N-m	1,2	3 ~ 100	2 times the Rated Output Torque				
Max. Output Torque	N-m	1,2	3 ~ 100	3 times the Rated Output Torque				
Rated Input Speed	rpm	1,2	3 ~ 100	3,000	5,000	4,000	4,000	3,000
Max. Input Speed	rpm	1,2	3 ~ 100	6,000	10,000	8,000	8,000	6,000
Backlash	arcmin	1	3 ~ 10	3				
	arcmin	2	15 ~ 100	5				
Torsional Rigidity	N-m/arcmin	1,2	3 ~ 100	3	5	11	18	50
Max. Radial Force	N	1,2	3 ~ 100	700	1,300	2,800	5,200	9,400
Max. Axial Force	N	1,2	3 ~ 100	610	550	1,000	2,300	4,700
Service Life	hr	1,2	3 ~ 100	>20,000				
Efficiency	%	1	3 ~ 10	96	95	95	95	95
		2	15 ~ 100	94	92	92	92	92
Operating Temperature		1,2	3 ~ 100	- 10 °C ~ +90 °C				
Lubrication		1,2	3 ~ 100	Synthetic Grease				
Protection Class		1,2	3 ~ 100	IP65				
Mounting Position		1,2	3 ~ 100	Any				
Noise Level	dB	1	3 ~ 10	≤60	≤60	≤60	≤65	≤67
		2	15~ 100	≤60	≤60	≤60	≤65	≤67
Weight ±2%	kg	1	3 ~ 10	1.0	1	4	5	16
		2	15 ~ 100	1.2	2	4.5	9	21
Mass Moment of Inertia	kg.cm2	1	3	0.03	0.16	0.61	3.25	9.21
			4	0.03	0.14	0.48	2.74	7.54
			5	0.03	0.13	0.47	2.71	7.42
			7	0.03	0.13	0.45	2.62	7.14
			10	0.03	0.13	0.44	2.57	7.03
		2	15	0.03	0.13	0.47	2.71	7.42
			20~40	0.03	0.13	0.44	2.57	7.14
			50~100	0.03	0.13	0.13	0.44	2.57

Dimensions

ZE042 1-stage: Motor: ECMA- C10401ES

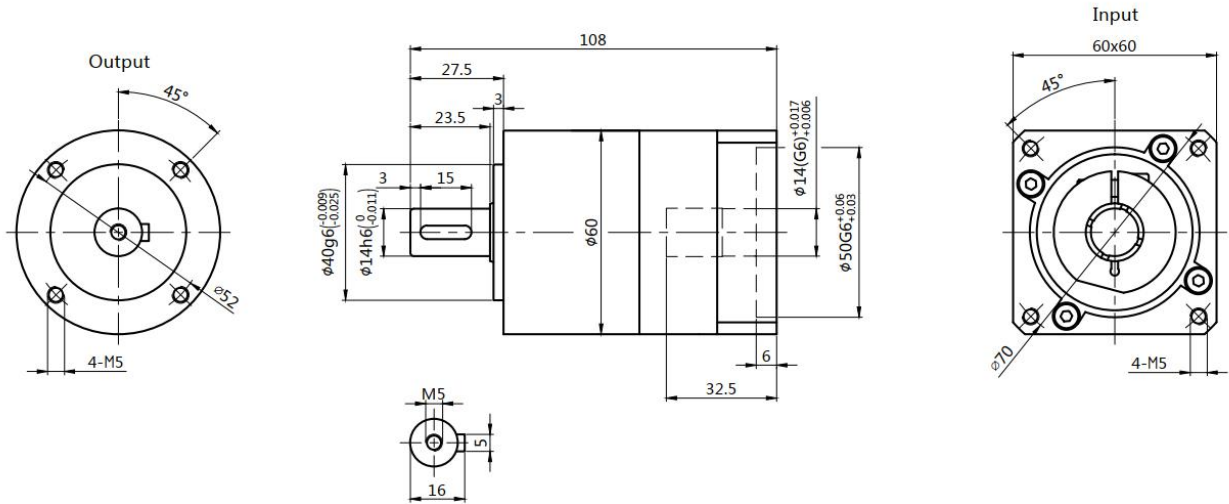


ZE042 2-stage: Motor: ECMA- C10401ES

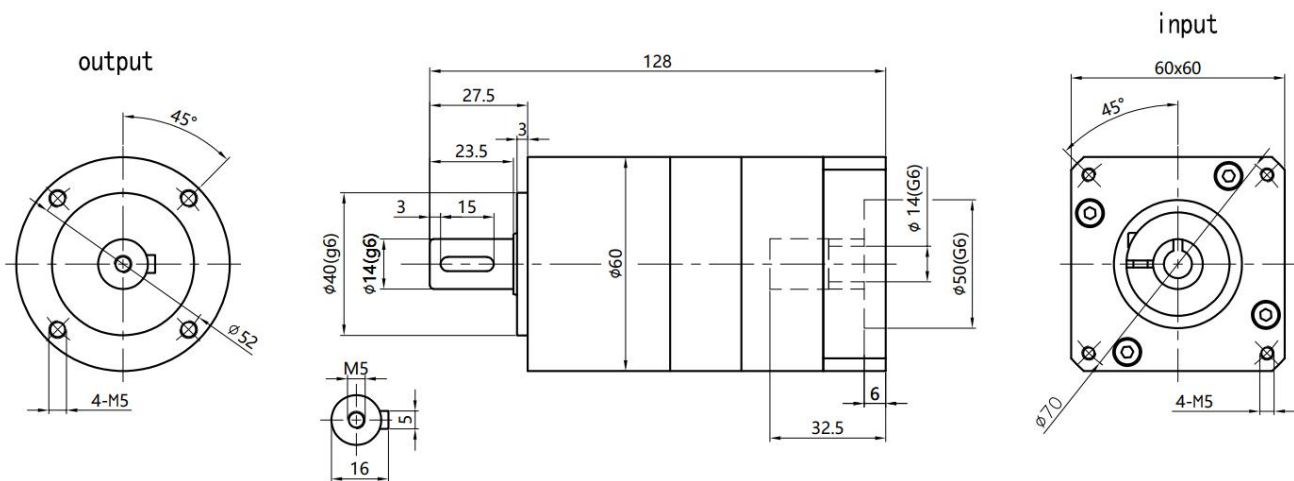


Dimensions

ZE060 1-stage: Motor: ECMA- C10604RS

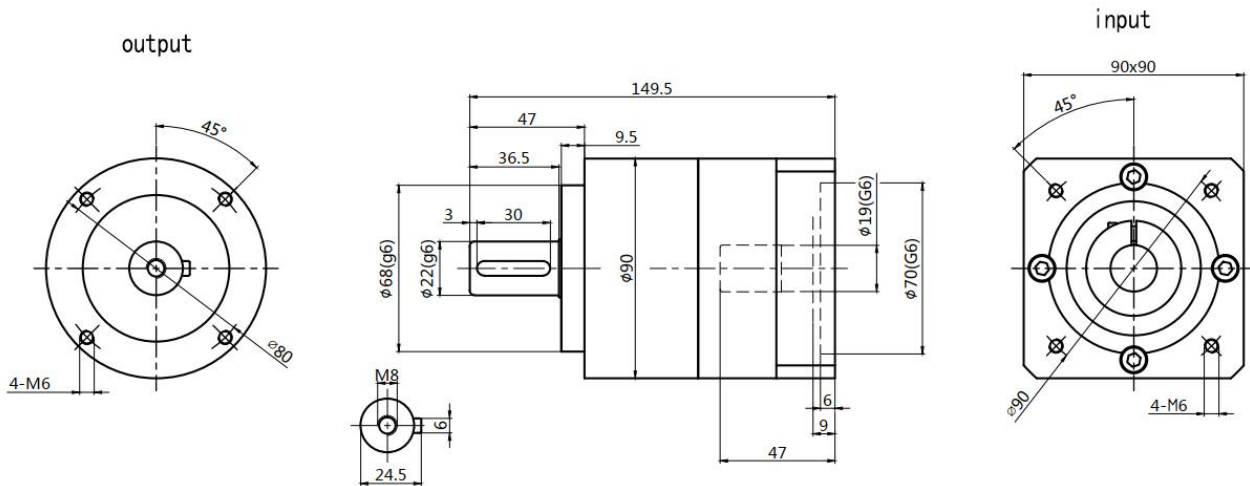


ZE060 2-stage: Motor: ECMA- C10604RS

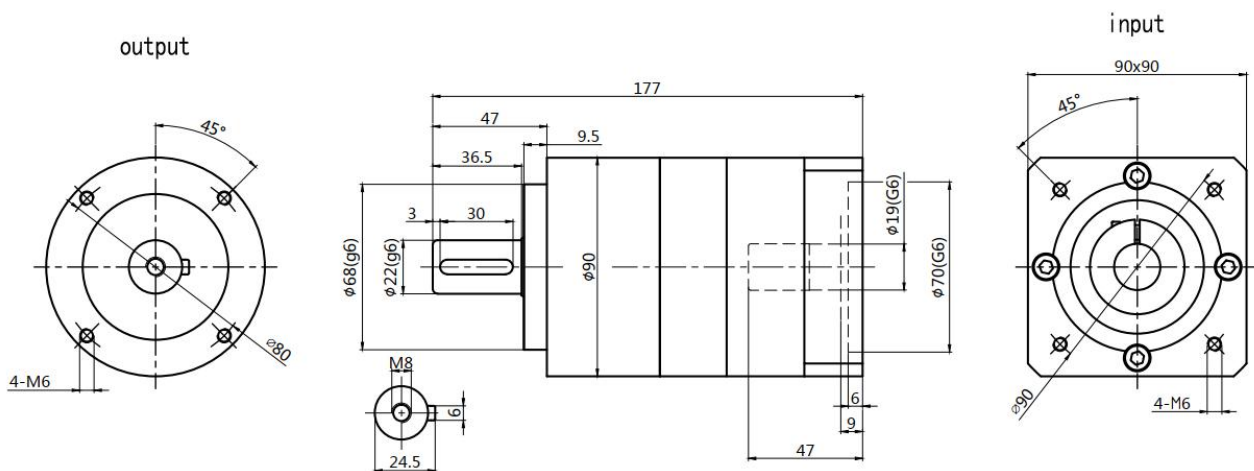


Dimensions

ZE090 1-stage: Motor: ECMA-C10807RS

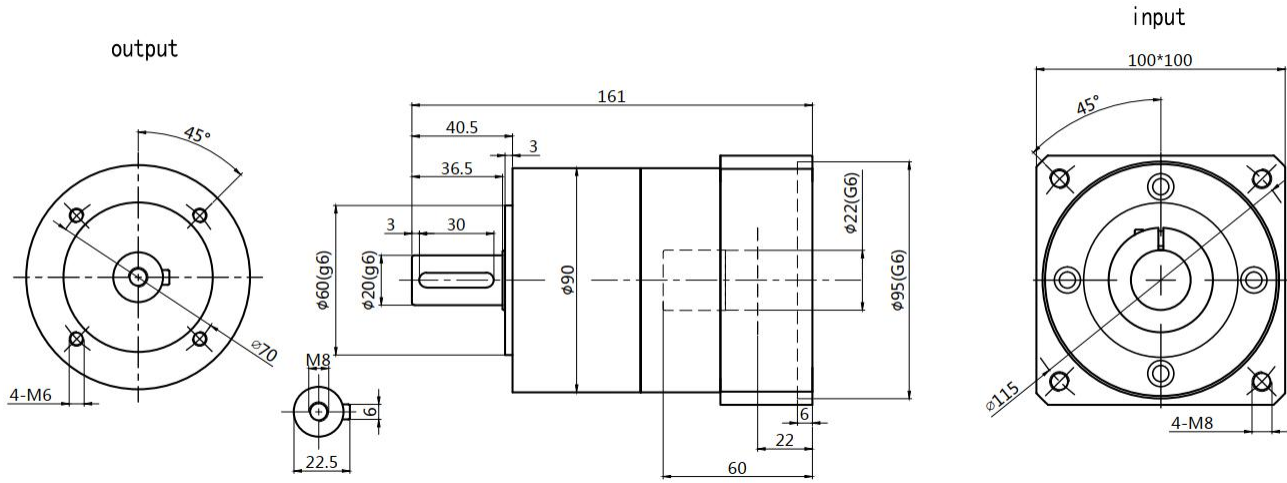


ZE090 2-stage: ECMA-C10807RS

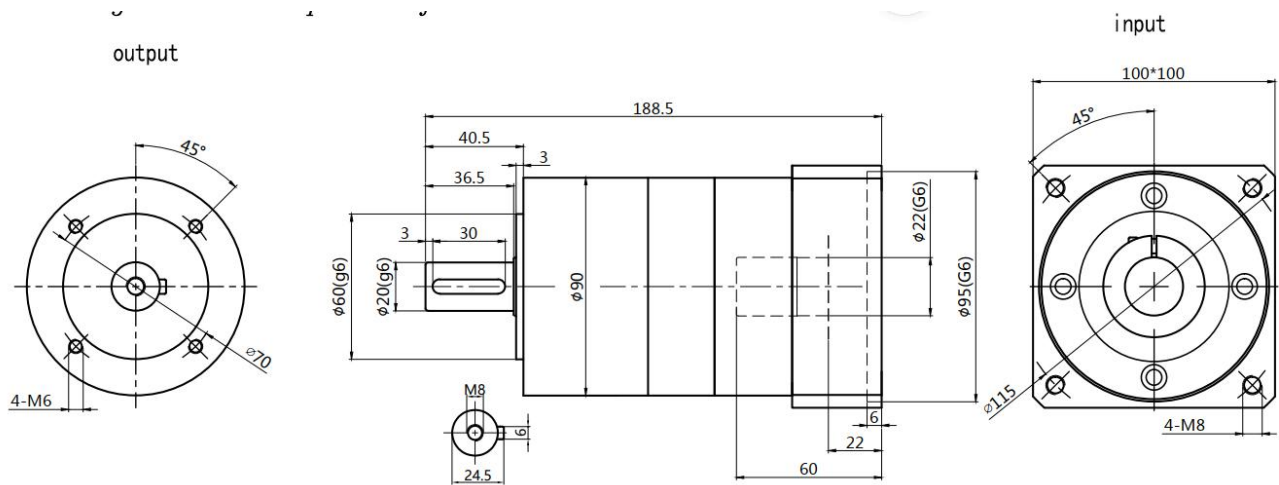


Dimensions

ZE090 1-stage:ECMA-C11010RS :

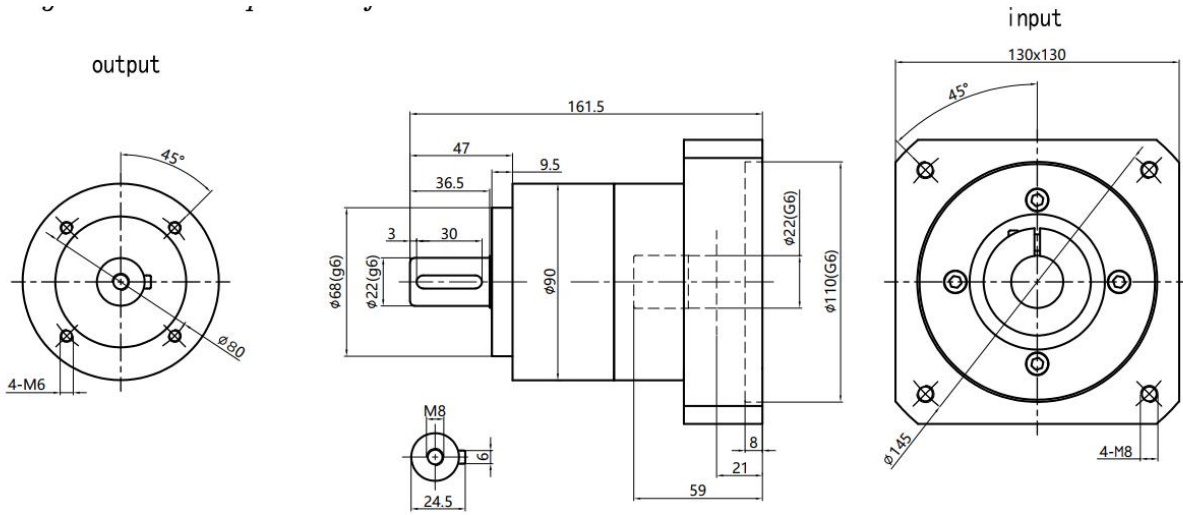


ZE090 2-stage:ECMA-C11010RS

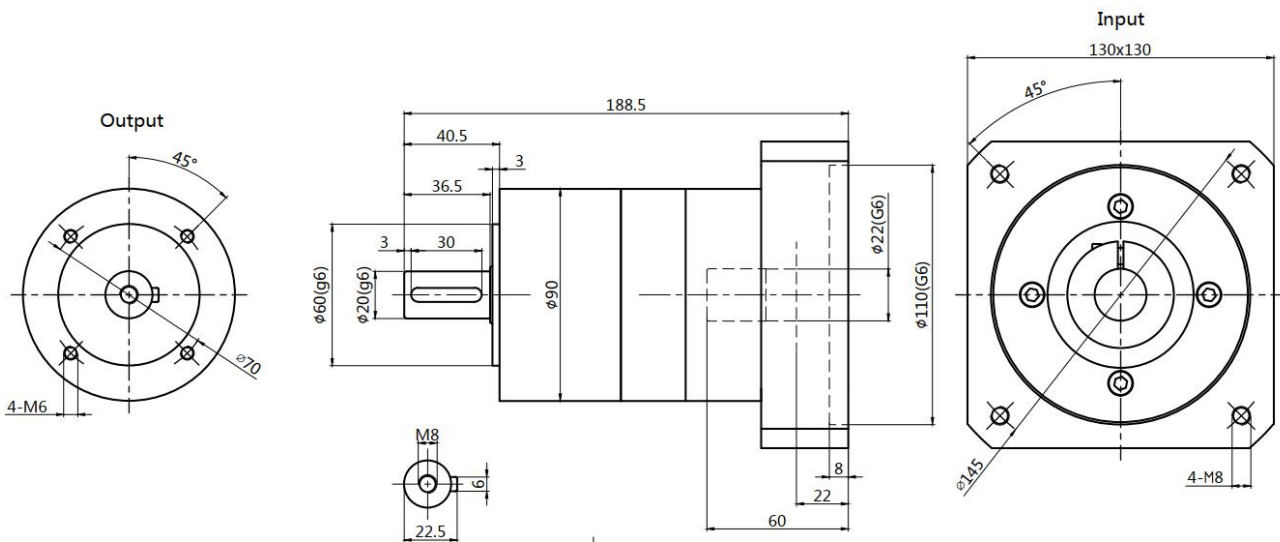


Dimensions

ZE090 1-stage: Motor: ECMA-E11310RS, ECMA-E11315RS, ECMA-E11320RS

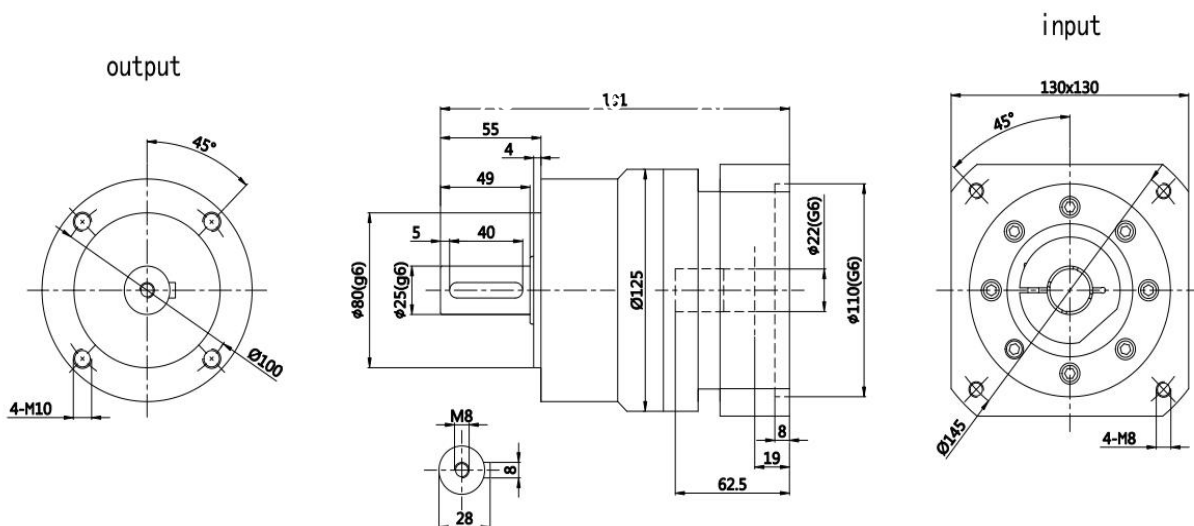


ZE090 2-stage: Motor: ECMA-E11310RS, ECMA-E11315RS, ECMA-E11320RS

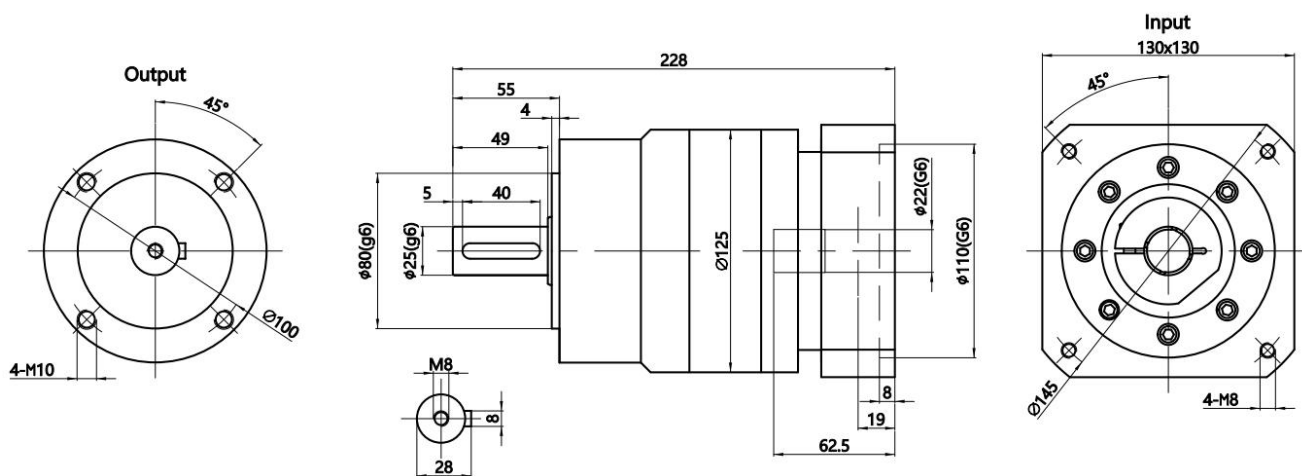


Dimensions

ZE120 1-stage:Motor:ECMA-E11310RS, ECMA-E11315RS, ECMA-E11320RS

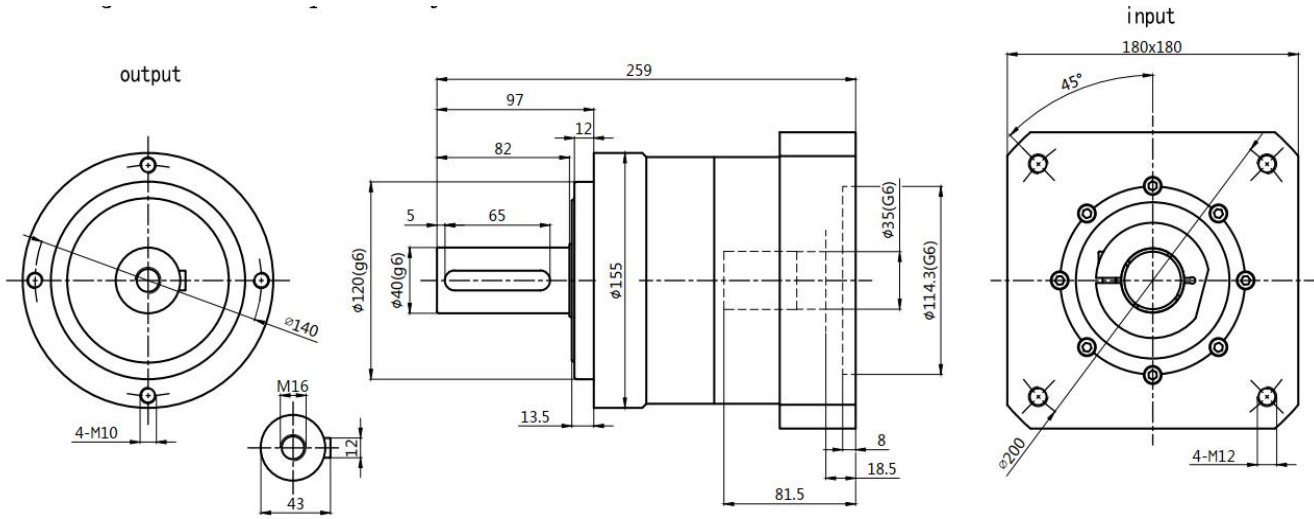


ZE120 2-stage:Motor:ECMA-E11310RS, ECMA-E11315RS, ECMA-E11320RS



Dimensions

ZE140 1-stage:Motor:ECMA-L11830RS,



ZE140 2-stage:Motor:ECMA-L11830RS

