

Gearbox for a Changing World

Planetary Gearbox

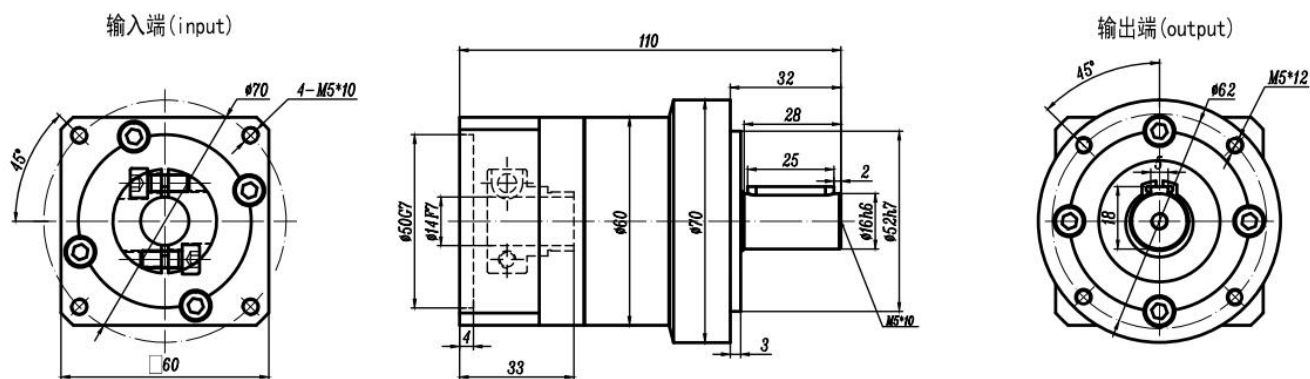
PE Precision Series

Specifications

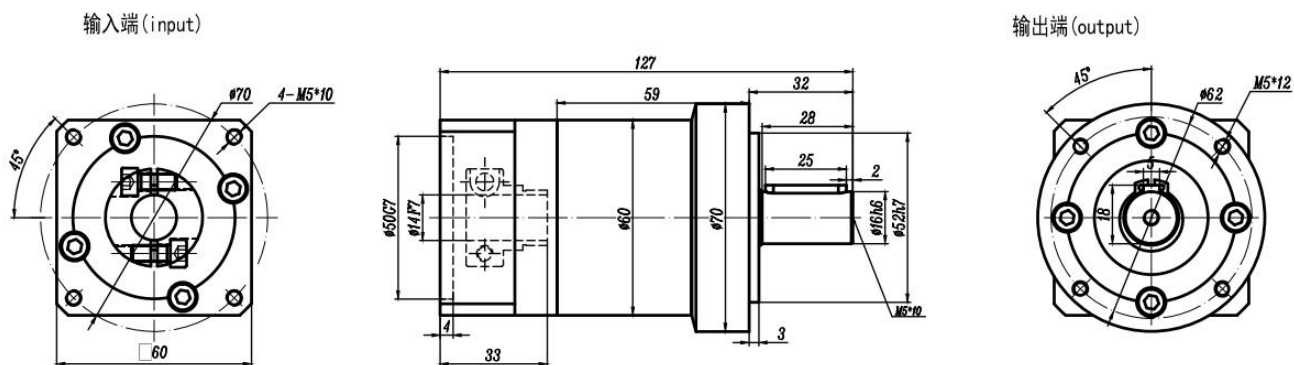
Items	Unit	Stage	Ratio	70	90	120		155
Rated Output Torque	N-m	1	3	15	55	105		185
			4	30	100	230		600
			5	27	95	220		505
			7	20	80	160		325
			10	9	50	100		160
		2	16	35	106	260		675
			20	35	106	260		675
			25	30	100	245		550
			35	30	100	245		550
			40	35	106	260		675
			50	30	90	245		550
			70	22	60	195		500
			100	10	60	110		185
Max. Acceleration Torque	N-m	1,2	3 ~ 100	2 times the Rated Output Torque				
Max. Output Torque	N-m	1,2	3 ~ 100	3 times the Rated Output Torque				
Rated Input Speed	rpm	1,2	3 ~ 100	4,000	4,000	3,500	3,000	3,000
Max. Input Speed	rpm	1,2	3 ~ 100	8,000	6,000	6,000	5,000	5,000
Backlash	arcmin	1	3 ~ 10	10-12				
	arcmin	2	16 ~ 100	12-15				
Torsional Rigidity	N-m/arcmin	1,2	3 ~ 100	2.3	7.5	15	25	25
Max. Radial Force	N	1,2	3 ~ 100	320	550	1,600	4,000	4,000
Max. Axial Force	N	1,2	3 ~ 100	280	500	1,350	3,750	3,750
Service Life	hr	1,2	3 ~ 100	>20,000				
Efficiency	%	1	3 ~ 10	96	96	96	96	96
		2	16 ~ 100	94	94	94	94	94
Operating Temperature		1,2	3 ~ 100	- 20 °C ~ +90 °C				
Lubrication		1,2	3 ~ 100	Synthetic Grease				
Protection Class		1,2	3 ~ 100	IP65				
Mounting Position		1,2	3 ~ 100	Any				
Noise Level	dB	1	3 ~ 10	≤60	≤65	≤68	≤75	≤75
		2	16 ~ 100	≤60	≤65	≤68	≤75	≤75
Weight ±2%	kg	1	3 ~ 10	1.0	3.1	7.0	17.2	18
		2	16 ~ 100	1.2	4.0	9.0	23.2	24.1
Mass Moment of Inertia	kg.cm2	1	3	0.135	0.48	3.21	7.5	7.5
			4	0.093	0.38	2.64	7.4	7.4
			5	0.078	0.38	2.64	6.5	6.5
			7	0.13	0.38	2.62	6.5	6.5
			10	0.13	0.35	2.51	6.2	6.2
		2	16	0.13	0.41	2.64	5.2	5.2
			20~40	0.13	0.38	2.64	5.2	5.2
			50~100	0.13	0.38	2.51	5.2	5.2

Dimensions

PE070 1-stage: Motor: ECMA- C10604RS



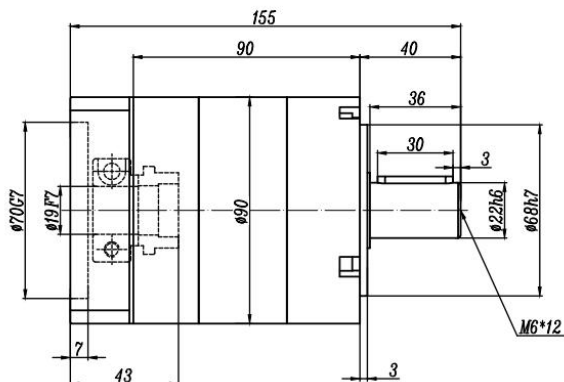
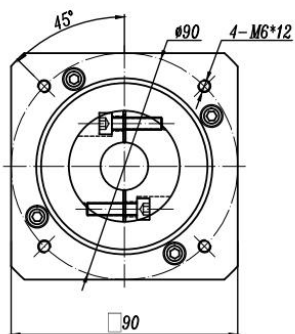
PE070 2-stage: Motor: ECMA- C10604RS



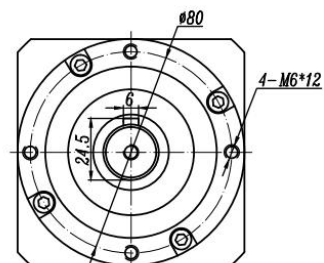
Dimensions

PE090 1-stage: Motor: ECMA-C10807RS

输入端(input)

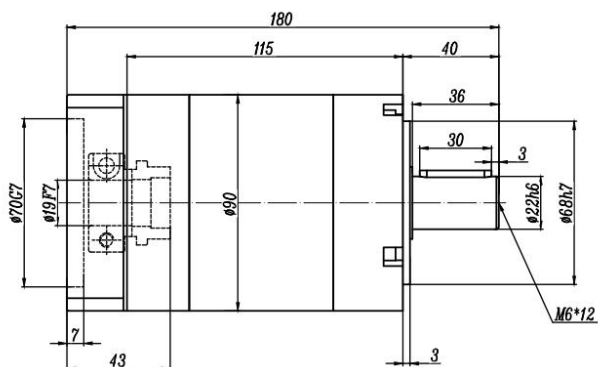
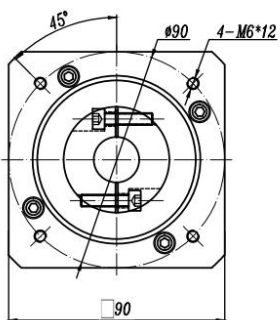


输出端(output)

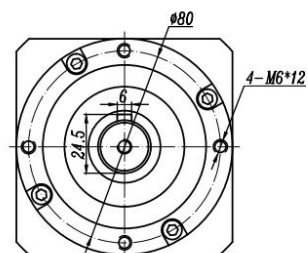


PE090 2-stage: ECMA-C10807RS

输入端(input)

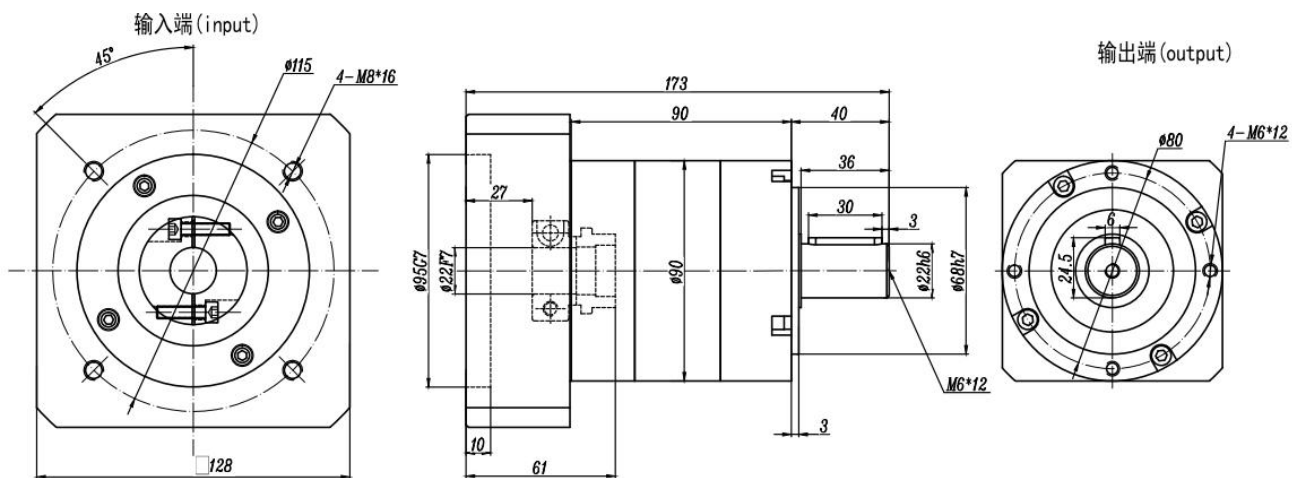


输出端(output)

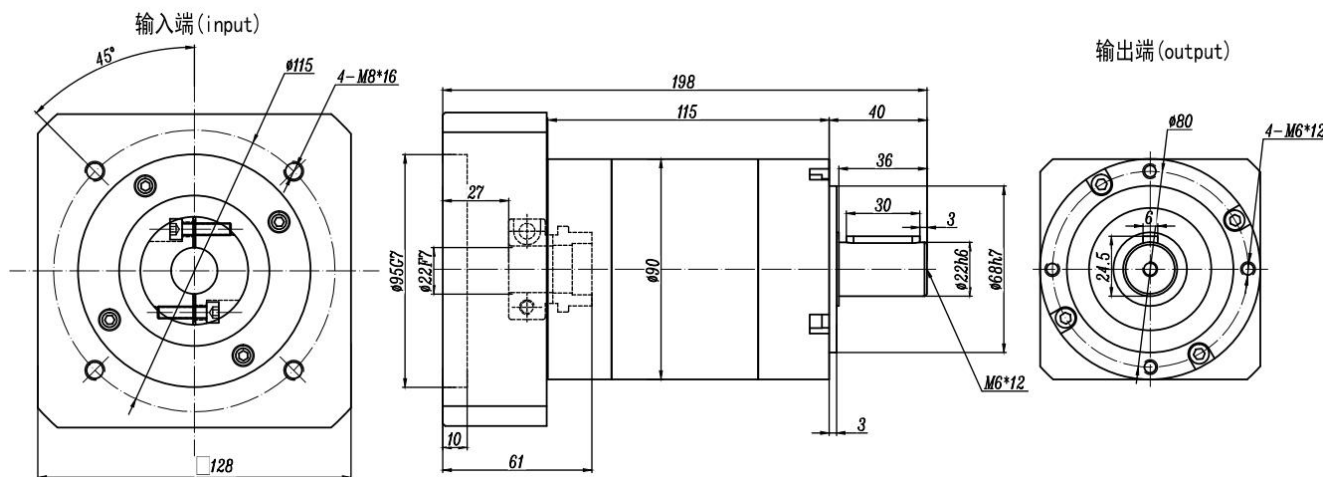


Dimensions

PE090 1-stage:ECMA-C11010RS :

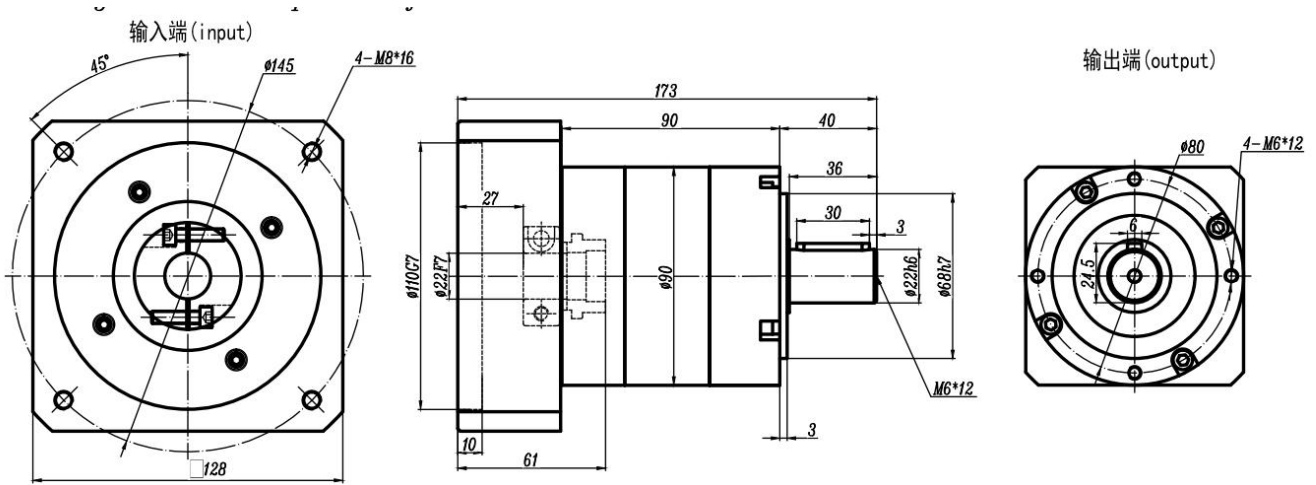


PE090 2-stage:ECMA-C11010RS

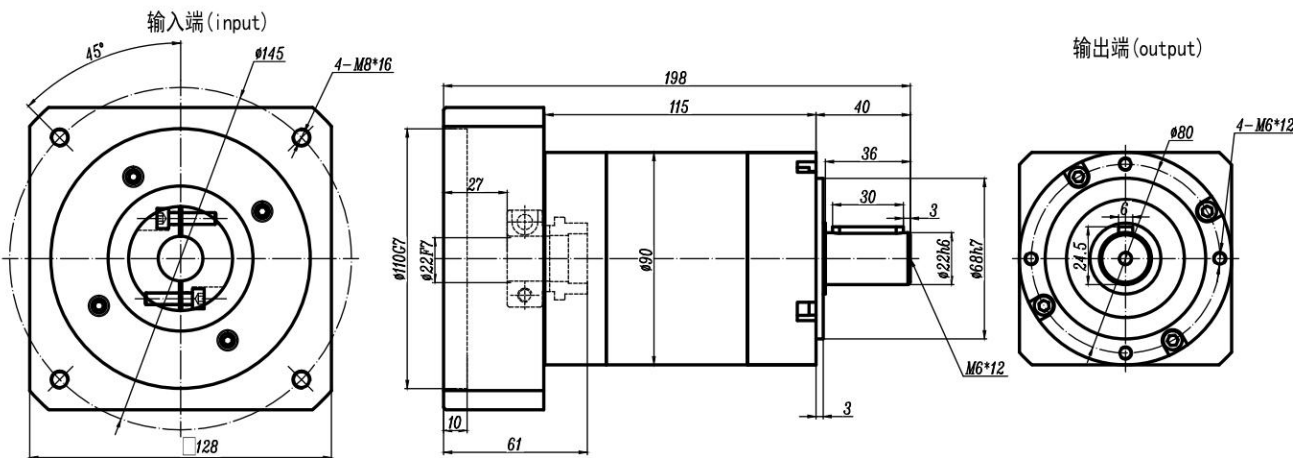


Dimensions

PE090 1-stage: Motor: ECMA-E11310RS, ECMA-E11315RS, ECMA-E11320RS



PE090 2-stage: Motor: ECMA-E11310RS, ECMA-E11315RS, ECMA-E11320RS

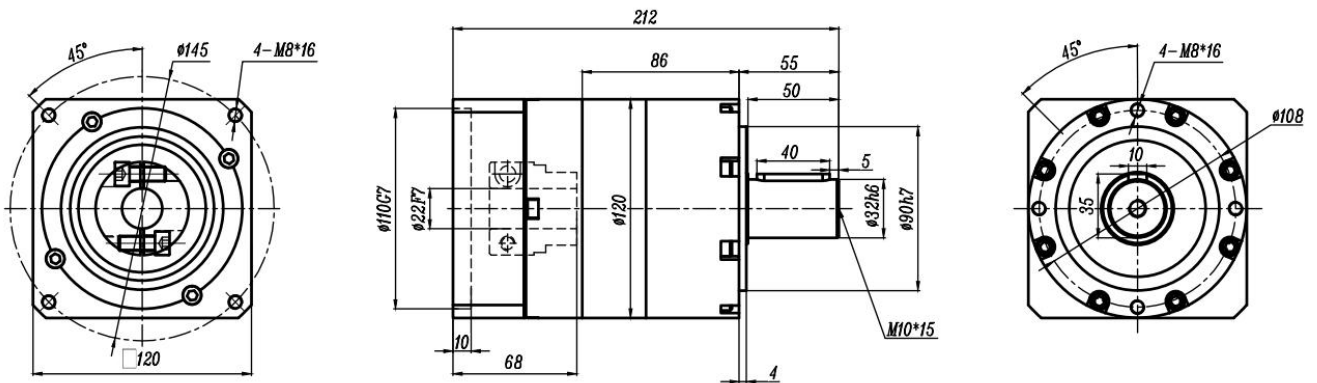


Dimensions

PE120 1-stage: Motor: ECMA-E11310RS, ECMA-E11315RS, ECMA-E11320RS

输入端(input)

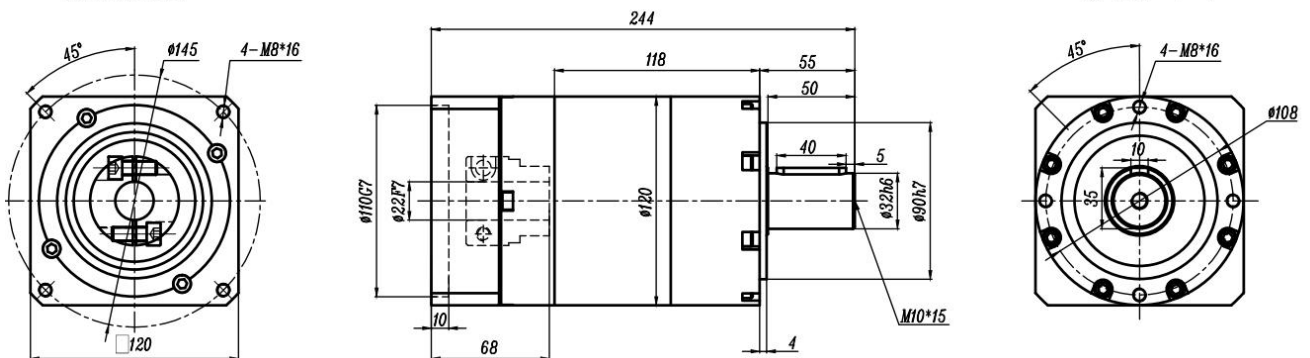
输出端(output)



PE120 2-stage: Motor: ECMA-E11310RS, ECMA-E11315RS, ECMA-E11320RS

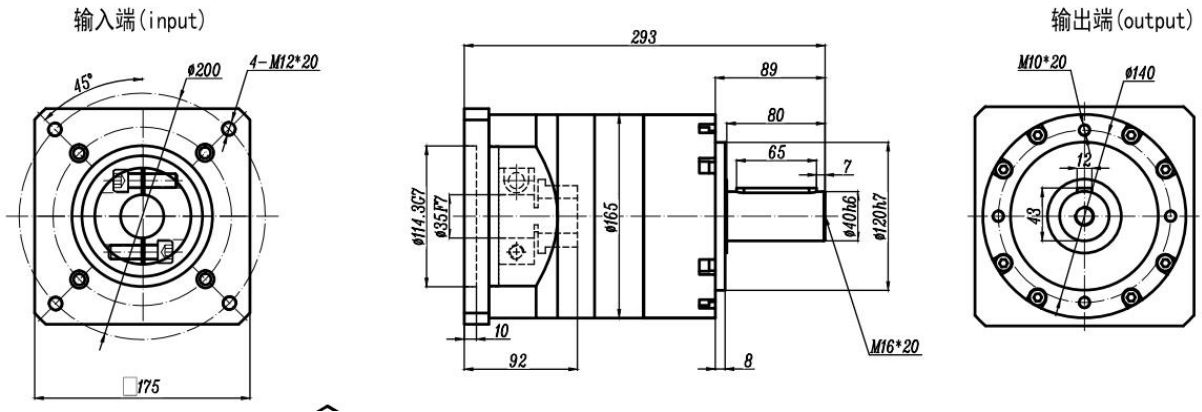
输入端(input)

输出端(output)



Dimensions

PE155 1-stage:Motor:ECMA-L11830RS, ECMA-L11845RS



PE155 2-stage:Motor:ECMA-L11830RS, ECMA-L11845RS

