

01

02

03

04

05

06

07

08

09

10

11

12

13

14

15

16

17


18

19

20

Technical data and ordering

Optyma™ Slim Pack - R404A / R507 LBP

Fan	Test conditions	Unit	Code no.	Electrical code	Compressor	Amb. temp. [°C]	Cooling capacity range in [W] at evaporating temperature [°C]						Sound power level [dB (A)]	Sound pressure level full sphere 10 m [dB (A)]	
							-40 °C	-35 °C	-30 °C	-25 °C	-20 °C	-15 °C			-10 °C
	SH = 10 K	OP-LSHM015	114X7081	G	SC15CLX.2	27	340	460	590	760	950	1170	1420	63	32
						32	300	400	530	680	860	1070	1300		
						38	240	340	460	600	760	950	1160		
						43	200	290	390	520	670	840	1040		
		OP-LSHM018	114X7082	G	SC18CLX.2	27	370	500	650	830	1030	1270	1540	63	32
						32	320	440	580	750	940	1160	1410		
						38	270	370	500	650	820	1030	1260		
		OP-LSHM026	114X7085	G	CAJ2446Z	27	500	700	1000	1250	1600	2000	2450	67	36
						32	450	650	850	1150	1450	1800	2200		
		OP-LSHM034	114X7086	G	CAJ2464Z	27	700	950	1250	1650	2100	2600	3150	68	37
						32	600	850	1150	1500	1900	2350	2900		
						38	500	750	1000	1300	1650	2100	2600		
43	–					650	850	1150	1500	1850	2300				
OP-LSHM048	114X7087	G	NTZ048	27	800	1150	1550	2050	2650	3300	4000	71	40		
				32	650	1000	1400	1850	2350	2950	3600				
	114X7088	E	38	550	850	1200	1600	2050	2550	3150					
OP-LSHM074	114X7095	G	FH2511Z	27	1200	1650	2250	2950	3700	4550	5450	71	40		
				32	1000	1450	1950	2600	3300	4050	4950				
	114X7096	E	38	–	1150	1650	2200	2800	3550	4300					
OP-LSHM068	114X7089	G	NTZ068	27	1350	1850	2450	3100	3850	4650	5550	71	40		
				32	1150	1650	2150	2750	3450	4200	5050				
	114X7090	E	38	950	1350	1850	2400	3000	3650	4400					
OP-LSHM067	114X7091	E	LLZ013	27	2200	2850	3550	4450	5400	6550	7850	71	40		
				32	2050	2600	3300	4100	5000	6050	7250				
				38	1800	2350	2950	3700	4500	5450	6550				
				43	1600	2100	2650	3300	4100	4950	5950				
OP-LSHM084	114X7092	E	LLZ015	27	2650	3400	4300	5300	6550	7900	9500	73	42		
				32	2450	3150	3950	4900	6000	7300	8750				
				38	2200	2800	3550	4400	5400	6550	7850				
OP-LSHM098	114X7075	E	LLZ018	27	3100	3950	4950	6150	7550	9100	10900	74	43		
				32	2850	3650	4600	5650	6950	8400	10000				
				38	2550	3250	4100	5050	6200	7500	8950				
				43	2250	2900	3650	4550	5550	6700	8050				

Test condition

Superheat: SH 10 K
 Subcooling: 10 K
 0 K

Electrical code

E: compressor 400 V / 3 phase / 50 Hz, fan 230 V / 1 phase / 50 Hz
 G: compressor 230 V / 1 phase / 50 Hz, fan 230 V / 1 phase / 50 Hz

Power consumption referred at 32 °C ambient temperature

LLZ type compressor models are scroll compressors.
 Cooling capacity is given for units with 3-phase compressor.
 Capacity of single-phase versions is within ± 1% of this value.


Technical data and ordering

Optyma™ Slim Pack - R404A / R507 LBP

Unitw	Condenser coil			Condenser fan Fan blade Ø [mm]	Receiver volume [L]	Power consumption [W] at evap. temp. -25 °C	Housing	Dimensions [mm]			Line [in]		Weight [kg]	
	Type	Air flow [m³/h]	Int. volume [dm³]					Height H	Width W	Depth D	Suction	Liquid	Gross	Net
OP-LSHM015	A7	2200	0.4	365	1.3	600	B1	680	950	443	3/8	3/8	53	41
OP-LSHM018	A7	2200	0.4	365	1.3	720	B1	680	950	443	3/8	3/8	53	41
OP-LSHM026	D7	3300	0.6	450	3.4	900	B2	695	1106	464	1/2	1/2	78	63
OP-LSHM034	D7	3300	0.6	450	3.4	1100	B2	695	1106	464	1/2	1/2	79	64
OP-LSHM048	D7	3300	0.6	450	3.4	1450	B2	695	1106	464	5/8	1/2	74	60
OP-LSHM074	D7	3300	0.6	450	3.4	2100	B2	695	1106	464	5/8	1/2	92	77
													88	73
OP-LSHM068	D7	3300	0.6	450	3.4	2150	B2	695	1106	464	5/8	1/2	74	60
OP-LSHM067	G7	5200	1.8	500	6.2	2850	B3	830	1106	464	3/4	1/2	90	73
OP-LSHM084	G7	5200	1.8	500	6.2	3400	B3	830	1106	464	3/4	1/2	90	73
OP-LSHM098	G7	5200	1.8	500	6.2	3850	B3	830	1106	464	3/4	1/2	90	73

Technical data and ordering

Optyma™ Slim Pack - R404A / R507 MBP

Fan	Test conditions	Unit	Code no.	Electrical code	Compressor	Amb. temp. [°C]	Cooling capacity range in [W] at evaporating temperature [°C]							Sound power level [dB (A)]	Sound pressure level full sphere 10 m [dB (A)]
							-20 °C	-15 °C	-10 °C	-5 °C	0 °C	5 °C	10 °C		
	SH = 10 K	OP-MSHM010	114X7077	G	SC10MLX	27	570	730	920	1140	1410	1710	-	62	31
						32	510	650	820	1030	1270	1550	-		
						38	430	560	710	890	1110	1360	-		
						43	-	480	610	780	970	-	-		
		OP-MSHM012	114X7078	G	SC12MLX	27	700	890	1110	1380	1690	2060	-	62	31
						32	620	790	1000	1240	1530	1870	-		
						38	530	680	860	1080	1340	1640	-		
						43	-	590	750	940	1170	-	-		
		OP-MSHM015	114X7079	G	SC15MLX	27	870	1100	1370	1690	2070	2510	-	63	32
						32	770	980	1230	1540	1890	2300	-		
						38	660	850	1070	1340	1660	2040	-		
						43	-	730	940	1180	1470	-	-		
		OP-MSHM018	114X7080	G	SC18MLX	27	1010	1280	1590	1970	2410	2920	-	63	32
						32	900	1140	1440	1790	2200	2670	-		
						38	770	990	1250	1560	1930	2370	-		
						43	-	860	1090	1370	1710	-	-		
		OP-MSHM024	114X7097	G	CAJ9513Z	27	1400	1800	2300	2800	3400	4100	4800	67	36
						32	1250	1650	2050	2550	3100	3700	4400		
						38	1100	1400	1800	2250	2750	3300	3900		
						43	-	1250	1600	2000	2450	2950	3500		
		OP-MSHM026	114X7083	G	CAJ4517Z	27	1600	2050	2500	3100	3700	4400	5150	67	36
						32	1400	1800	2300	2800	3400	4000	4700		
			114X7093	E	TAJ4517Z	38	1200	1550	2000	2450	3000	3550	4200		
						43	-	1350	1750	2200	2650	3200	3750		
		OP-MSHM034	114X7084	G	CAJ4519Z	27	2000	2550	3100	3750	4450	5250	6100	68	37
						32	1800	2300	2800	3400	4100	4800	5600		
			114X7094	E	TAJ4519Z	38	1550	2000	2500	3000	3600	4250	4950		
						43	-	1750	2200	2700	3250	3800	4450		
OP-MSUM034	114X7061	G	MLZ015	27	2500	3100	3750	4450	5250	6150	7100	69	38		
				32	2250	2800	3400	4050	4800	5650	6550				
	114X7062	E		38	1950	2400	2950	3600	4250	5000	5800				
				43	1650	2100	2600	3150	3750	4450	5200				
OP-MSUM046	114X7063	G	MLZ021	27	3400	4100	4950	5850	6800	7900	9100	69	38		
				32	3100	3750	4500	5350	6250	7250	8400				
	114X7064	E		38	2750	3350	4000	4750	5550	6500	7500				
				43	2400	2950	3550	4200	4950	5800	-				
OP-MSUM057	114X7065	G	MLZ026	27	4100	4900	5850	6900	8000	9200	10500	69	38		
				32	3700	4500	5350	6250	7300	8400	9600				
	114X7066	E		38	3200	3900	4650	5500	6450	7450	8550				
				43	2800	3400	4100	4850	5700	6600	-				
OP-MSUM068	114X7067	G	MLZ030	27	5400	6600	7950	9500	11200	13100	15200	70	39		
				32	4950	6050	7300	8750	10350	12150	14100				
	114X7068	E		38	4400	5400	6550	7850	9300	10950	12800				
				43	3900	4800	5850	7050	8400	9900	11600				
OP-MSUM080	114X7069	G	MLZ038	27	6300	7700	9250	11000	12950	15100	17500	70	39		
				32	5800	7050	8500	10150	11950	13950	16200				
	114X7070	E		38	5100	6250	7550	9050	10700	12550	14600				
				43	4550	5600	6750	8100	9600	11300	13200				
OP-MSUM099	114X7071	E	MLZ045	27	7400	9000	10800	12800	15000	17400	20000	70	39		
				32	6750	8250	9900	11750	13800	16050	18500				
				38	5950	7250	8750	10450	12300	14350	16650				
				43	5250	6400	7750	9300	11000	12900	15000				
OP-MSUM108	114X7072	E	MLZ048	27	8000	9700	11600	13700	16000	18550	21350	70	39		
				32	7300	8850	10600	12550	14700	17050	19700				
				38	6400	7800	9350	11100	13050	15200	17650				
				43	5600	6900	8300	9850	11650	13650	-				

Test condition

SH 10 K
10 K
0 K

Superheat:
Subcooling:

Electrical code

E: compressor 400 V / 3 phase / 50 Hz, fan 230 V / 1 phase / 50 Hz
G: compressor 220 V / 1 phase / 50 Hz, fan 220 V / 1 phase / 50 Hz

MLZ type compressor models are scroll compressors. Cooling capacity is given for units with 3-phase compressor. Capacity of single-phase versions is within ± 1% of this value

Power consumption referred at 32 °C ambient temperature


Technical data and ordering

Optyma™ Slim Pack - R404A / R507 MBP

Unit	Condenser coil			Condenser fan blade Ø [mm]	Receiver volume [L]	Power consumption [W] at evap. temp.		Housing	Dimensions [mm]			Line [in]		Weight [kg]	
	Type	Air flow [m³/h]	Int. volume [dm³]			-10 °C	5 °C		Height H	Width W	Depth D	Suction	Liquid	Gross	Net
OP-MSHM010	A7	2200	0.4	365	1.3	570	680	B1	680	950	443	3/8	1/4	53	41
OP-MSHM012	A7	2200	0.4	365	1.3	660	800	B1	680	950	443	3/8	3/8	53	41
OP-MSHM015	A7	2200	0.4	365	1.3	830	1020	B1	680	950	443	3/8	3/8	53	41
OP-MSHM018	A7	2200	0.4	365	1.3	910	1120	B1	680	950	443	3/8	3/8	53	41
OP-MSHM024	D7	3300	0.6	450	3.4	1050	1300	B2	695	1106	464	1/2	1/2	78	63
OP-MSHM026	D7	3300	0.6	450	3.4	1250	1550	B2	695	1106	464	1/2	1/2	78	63
														76	61
OP-MSHM034	D7	3300	0.6	450	3.4	1550	2000	B2	695	1106	464	1/2	1/2	79	64
														78	63
OP-MSUM034	D7	3300	0.6	450	3.4	1700	1750	B2	695	1106	464	3/4	1/2	74	66
OP-MSUM046	D7	3300	0.6	450	3.4	2300	2550	B2	695	1106	464	3/4	1/2	74	66
OP-MSUM057	D7	3300	0.6	450	3.4	3050	3450	B2	695	1106	464	3/4	1/2	74	66
OP-MSUM068	G7	5200	1.8	500	6.2	3200	3450	B3	830	1106	464	7/8	1/2	96	87
OP-MSUM080	G7	5200	1.8	500	6.2	3850	4250	B3	830	1106	464	7/8	1/2	96	87
OP-MSUM099	G7	5200	1.8	500	6.2	4800	5400	B3	830	1106	464	7/8	1/2	96	87
OP-MSUM108	G7	5200	1.8	500	6.2	5250	5850	B3	830	1106	464	7/8	1/2	96	87

Technical data and ordering

Optyma™ Slim Pack - R134a MBP

Fan	Test conditions	Unit	Code no.	Electrical code	Compressor	Amb. temp. [°C]	Cooling capacity range in [W] at evaporating temperature [°C]						Sound power level [dB (A)]	Sound pressure level full sphere 10 m [dB (A)]
							-15 °C	-10 °C	-5 °C	0 °C	5 °C	10 °C		
	SH = 10 K	OP-MSUM034	114X7061	G	MLZ015	27	1800	2300	2850	3500	4200	5050	69	38
						32	1700	2150	2700	3300	4000	4800		
			114X7062	E		38	1600	2000	2500	3100	3750	4500		
						43	–	1900	2350	2900	3500	4250		
		OP-MSUM046	114X7063	G	MLZ021	27	2450	3100	3800	4650	5600	6650	69	38
						32	2350	2900	3600	4400	5300	6300		
			114X7064	E		38	2150	2700	3350	4100	4950	5900		
						43	–	2500	3150	3850	4650	5550		
		OP-MSUM057	114X7065	G	MLZ026	27	2950	3750	4600	5600	6700	7950	69	38
						32	2800	3500	4350	5300	6350	7550		
			114X7066	E		38	2600	3250	4050	4900	5900	7050		
						43	2400	3050	3750	4600	5550	6600		
		OP-MSUM068	114X7067	G	MLZ030	27	3750	4700	5850	7150	8650	10400	70	39
						32	3550	4450	5550	6800	8250	9900		
			114X7068	E		38	3300	4150	5150	6350	7750	9300		
						43	3100	3900	4850	6000	7300	8750		
		OP-MSUM080	114X7069	G	MLZ038	27	4350	5500	6800	8350	10050	12000	70	39
						32	4100	5200	6450	7900	9550	11450		
			114X7070	E		38	3800	4800	6000	7400	8950	10700		
						43	3550	4500	5650	6950	8400	10100		
		OP-MSUM099	114X7071	E	MLZ045	27	5350	6750	8350	10200	12300	14600	70	39
						32	5050	6350	7900	9650	11700	13900		
						38	4700	5900	7300	9000	10900	13000		
						43	4400	5500	6850	8400	10200	12200		
OP-MSUM108	114X7072	E	MLZ048	27	5700	7100	8800	10750	12900	15300	70	39		
				32	5350	6700	8300	10150	12250	14550				
				38	4950	6200	7700	9450	11400	13600				
				43	4600	5800	7200	8850	10700	12750				

Test condition

Superheat: SH 10 K
10 K
Subcooling: 0 K

Electrical code

E: compressor 400 V / 3 phase / 50 Hz, fan 230 V / 1 phase / 50 Hz
G: compressor 220 V / 1 phase / 50 Hz, fan 220 V / 1 phase / 50 Hz

Power consumption referred at 32 °C ambient temperature

MLZ type compressor models are scroll compressors. Cooling capacity is given for units with 3-phase compressor. Capacity of single-phase versions is within ± 1% of this value


Technical data and ordering

Optyma™ Slim Pack - R134a MBP

Unit	Condenser coil			Condenser fan	Receiver volume [L]	Power consumption [W] at evap. temp.		Housing	Dimensions [mm]			Line [in]		Weight [kg]	
	Type	Air flow [m³/h]	Int. volume [dm³]	Fan blade Ø [mm]		-10 °C	5 °C		Height H	Width W	Depth D	Suction	Liquid	Gross	Net
OP-MSUM034	D7	3300	0.6	450	3.4	1000	1050	B2	695	1106	464	¾	½	74	66
OP-MSUM046	D7	3300	0.6	450	3.4	1300	1450	B2	695	1106	464	¾	½	74	66
OP-MSUM057	D7	3300	0.6	450	3.4	1600	1850	B2	695	1106	464	¾	½	74	66
OP-MSUM068	G7	5200	1.8	500	6.2	1850	2000	B3	830	1106	464	7/8	½	96	87
OP-MSUM080	G7	5200	1.8	500	6.2	2250	2450	B3	830	1106	464	7/8	½	96	87
OP-MSUM099	G7	5200	1.8	500	6.2	2600	2900	B3	830	1106	464	7/8	½	96	87
OP-MSUM108	G7	5200	1.8	500	6.2	2800	3150	B3	830	1106	464	7/8	½	96	87

Technical data and ordering

Optyma™ Slim Pack - R407A MBP

Fan	Test conditions	Unit	Code no.	Electrical code	Compressor	Amb. temp. [°C]	Cooling capacity range in [W] at evaporating temperature [°C]							Sound power level [dB (A)]	Sound pressure level full sphere 10 m [dB (A)]
							-20 °C	-15 °C	-10 °C	-5 °C	0 °C	5 °C	10 °C		
	SH = 10 K	OP-MSUM034	114X7061	G	MLZ015	27	2300	2850	3550	4300	5200	6200	7350	69	38
						32	2100	2650	3300	4000	4850	5800	6900		
			114X7062	E		38	1850	2350	2950	3650	4450	5300	6350		
						43	–	2150	2700	3300	4050	4900	5850		
		OP-MSUM046	114X7063	G	MLZ021	27	2950	3700	4550	5550	6600	7850	9150	69	38
						32	2700	3400	4250	5150	6200	7300	8550		
			114X7064	E		38	2400	3100	3850	4700	5650	6700	7850		
						43	–	2750	3450	4250	5150	6150	–		
		OP-MSUM057	114X7065	G	MLZ026	27	3600	4500	5500	6650	7900	9300	10800	69	38
						32	3300	4150	5100	6150	7350	8650	10050		
			114X7066	E		38	2900	3700	4600	5550	6650	7850	9150		
						43	–	3300	4150	5050	6050	7150	–		
		OP-MSUM068	114X7067	G	MLZ030	27	4800	5950	7350	8950	10800	12850	15200	70	39
						32	4500	5550	6850	8350	10100	12050	14300		
			114X7068	E		38	4150	5100	6300	7650	9250	11100	13200		
						43	–	4750	5850	7100	8600	10300	12250		
		OP-MSUM080	114X7069	G	MLZ038	27	5500	6800	8350	10150	12250	14550	17150	70	39
						32	5150	6350	7800	9500	11450	13650	16100		
			114X7070	E		38	4750	5850	7150	8700	10500	12550	14850		
						43	–	5450	6650	8050	9700	11600	13800		
		OP-MSUM099	114X7071	E	MLZ045	27	6500	8200	10150	12350	14850	17600	20650	70	39
						32	5900	7500	9350	11450	13800	16400	19300		
						38	5150	6650	8350	10300	12500	14950	17650		
						43	–	5900	7500	9350	11400	13700	16250		
OP-MSUM108	114X7072	E	MLZ048	27	7050	8900	11000	13350	16000	18900	22100	70	39		
				32	6400	8100	10100	12350	14850	17600	20650				
				38	5600	7200	9000	11100	13450	16000	18900				
				43	–	6350	8100	10050	12200	14650	–				

Test condition

Superheat: SH 10 K
 10 K
 Subcooling: 0 K

Electrical code

E: compressor 400 V / 3 phase / 50 Hz, fan 230 V / 1 phase / 50 Hz
 G: compressor 230 V / 1 phase / 50 Hz, fan 230 V / 1 phase / 50 Hz

Power consumption referred at 32 °C ambient temperature

MLZ type compressor models are scroll compressors. Cooling capacity is given for units with 3-phase compressor. Capacity of single-phase versions is within ± 1% of this value


Technical data and ordering

Optyima™ Slim Pack - R407A MBP *)

Unit	Condenser coil			Condenser fan	Receiver volume [L]	Power consumption [W] at evap. temp.		Housing	Dimensions [mm]			Line [in]		Weight [kg]	
	Type	Air flow [m³/h]	Int. volume [dm³]			Fan blade Ø [mm]	-10 °C		5 °C	Height H	Width W	Depth D	Suction	Liquid	Gross
OP-MSUM034	D7	3300	0.6	450	3.4	1500	1700	B2	695	1106	464	¾	½	74	66
OP-MSUM046	D7	3300	0.6	450	3.4	2200	2650	B2	695	1106	464	¾	½	74	66
OP-MSUM057	D7	3300	0.6	450	3.4	2850	3550	B2	695	1106	464	¾	½	74	66
OP-MSUM068	G7	5200	1.8	500	6.2	2850	3150	B3	830	1106	464	7/8	½	96	87
OP-MSUM080	G7	5200	1.8	500	6.2	3350	3750	B3	830	1106	464	7/8	½	96	87
OP-MSUM099	G7	5200	1.8	500	6.2	4500	5150	B3	830	1106	464	7/8	½	96	87
OP-MSUM108	G7	5200	1.8	500	6.2	5050	5800	B3	830	1106	464	7/8	½	96	87

Technical data and ordering

Optyma™ Slim Pack - R407F MBP

Fan	Test conditions	Unit	Code no.	Electrical code	Compressor	Amb. temp. [°C]	Cooling capacity range in [W] at evaporating temperature [°C]						Sound power level [dB (A)]	Sound pressure level full sphere 10 m [dB (A)]	
							-20 °C	-15 °C	-10 °C	-5 °C	0 °C	5 °C			10 °C
	SH = 10 K	OP-MSUM034	114X7061	G	MLZ015	27	2450	3050	3750	4600	5500	6600	7750	69	38
						32	2250	2850	3500	4300	5150	6200	7300		
			114X7062	E		38	–	2550	3200	3900	4750	5650	6700		
						43	–	–	–	–	–	–	–		
		OP-MSUM046	114X7063	G	MLZ021	27	3150	3950	4850	5900	7050	8300	9650	69	38
						32	2900	3650	4550	5500	6550	7750	9050		
			114X7064	E		38	–	3300	4100	5000	6000	–	–		
						43	–	–	–	–	–	–	–		
		OP-MSUM057	114X7065	G	MLZ026	27	3850	4800	5850	7050	8400	9800	11350	69	38
						32	3550	4450	5450	6550	7800	9150	10600		
			114X7066	E		38	–	–	4900	5950	7050	–	–		
						43	–	–	–	–	–	–	–		
		OP-MSUM068	114X7067	G	MLZ030	27	5150	6400	7850	9500	11400	13600	16000	70	39
						32	4850	6000	7350	8900	10750	12800	15100		
			114X7068	E		38	–	5550	6800	8250	9900	11800	14000		
						43	–	–	–	–	–	–	–		
		OP-MSUM080	114X7069	G	MLZ038	27	5900	7300	8900	10800	12950	15350	18050	70	39
						32	5550	6850	8350	10150	12150	14450	17000		
			114X7070	E		38	–	6350	7700	9350	11200	13350	15750		
						43	–	–	–	–	–	–	–		
		OP-MSUM099	114X7071	E	MLZ045	27	7000	8750	10800	13100	15700	18550	21700	70	39
						32	6350	8050	10000	12200	14650	17350	20350		
						38	–	7150	9000	11050	13300	15850	18700		
						43	–	–	–	–	–	–	–		
OP-MSUM108	114X7072	E	MLZ048	27	7550	9500	11700	14150	16900	19950	23250	70	39		
				32	6900	8700	10800	13100	15750	18600	21750				
				38	–	7750	9650	11850	14300	–	–				
				43	–	–	–	–	–	–	–				

Test condition

Superheat: SH 10 K
10 K
Subcooling: 0 K

Electrical code

E: compressor 400 V / 3 phase / 50 Hz, fan 230 V / 1 phase / 50 Hz
G: compressor 230 V / 1 phase / 50 Hz, fan 230 V / 1 phase / 50 Hz

Power consumption referred at 32 °C ambient temperature

MLZ type compressor models are scroll compressors. Cooling capacity is given for units with 3-phase compressor. Capacity of single-phase versions is within ± 1% of this value

Technical data and ordering

Optyma™ Slim Pack - R407F MBP *)

Unit	Condenser coil			Condenser fan	Receiver volume [L]	Power consumption [W] at evap. temp.		Housing	Dimensions [mm]			Line [in]		Weight [kg]	
	Type	Air flow [m³/h]	Int. volume [dm³]	Fan blade Ø [mm]		-10 °C	5 °C		Height H	Width W	Depth D	Suction	Liquid	Gross	Net
OP-MSUM034	D7	3300	0.6	450	3.4	1600	1850	B2	695	1106	464	¾	½	74	66
OP-MSUM046	D7	3300	0.6	450	3.4	2400	2900	B2	695	1106	464	¾	½	74	66
OP-MSUM057	D7	3300	0.6	450	3.4	3150	3900	B2	695	1106	464	¾	½	74	66
OP-MSUM068	G7	5200	1.8	500	6.2	3050	3400	B3	830	1106	464	7/8	½	96	87
OP-MSUM080	G7	5200	1.8	500	6.2	3600	4050	B3	830	1106	464	7/8	½	96	87
OP-MSUM099	G7	5200	1.8	500	6.2	4900	5650	B3	830	1106	464	7/8	½	96	87
OP-MSUM108	G7	5200	1.8	500	6.2	5500	6400	B3	830	1106	464	7/8	½	96	87

Technical data and ordering

Optyma™ Slim Pack - MBP

Electrical characteristics - 230 V / 1 phase - 50 Hz

Unit	Wiring diagram	LRA compressor (A) 230 V / 1 phase	MCC compressor (A) 230 V / 1 phase	Max cont. power consumption (kW)	MCC Fan (A) 230 V / 1 phase	Fan Power [W]
OP-MSHM010	WD 1	18.4	4.8	0.78	0.32	1x25
OP-MSHM012		23.4	5.7	0.93	0.32	1x25
OP-MSHM015		23.5	6.2	1.17	0.32	1x25
OP-MSHM018	WD 2	23.6	6.1	1.28	0.32	1x25
OP-MSHM024		33.5	10.2	1.75	0.47	1x68
OP-MSHM026		38.5	12.7	2	0.47	1x68
OP-MSHM034		45.0	15.2	2.74	0.47	1x68
OP-MSUM034	WD 3	60	19	2.53	0.47	1x68
OP-MSUM046		97	25	3.38	0.47	1x68
OP-MSUM057		97	26	4.42	0.47	1x68
OP-MSUM068	WD 4	127	32	4.89	0.97	1x130
OP-MSUM080		130	38	5.77	0.97	1x130

Optyma™ Slim Pack - MBP

Electrical characteristics - 400 V / 3 phase - 50 Hz

Unit	Wiring diagram	LRA compressor (A) 400 V / 3 phase	MCC compressor (A) 400 V / 3 phase	Max cont. power consumption (kW)	MCC Fan (A) 230 V / 1 phase	Fan Power [W]
OP-MSHM026	WD 7	18	4	2.09	0.47	1x68
OP-MSHM034		22	4.8	2.7	0.47	1x68
OP-MSUM034	WD 6	30	7	2.73	0.47	1x68
OP-MSUM046		45	9.5	3.33	0.47	1x68
OP-MSUM057		45	10	4.14	0.47	1x68
OP-MSUM068	WD 5	60	13	4.88	0.97	1x130
OP-MSUM080		70	15	5.78	0.97	1x130
OP-MSUM099		82	15	7.01	0.97	1x130
OP-MSUM108		87	16	7.55	0.97	1x130

Note:

LRA: Locked Rotor Amps

MCC: Maximum Continuous Current

Optyma™ Slim Pack - MBP

Spare parts

Unit	Compressor			Filter drier *)	Sight glass	Receiver [L]	Condenser	Dual Pressure switch				
	Model	1 phase	3 phases									
OP-MSHM010	SC10MLX	195B0345	-	DML083	023Z5040	SGP 10s N	014L0182	1,3	118U3474	118U3492	KP 17 WB	060-539766
OP-MSHM012	SC12MLX	195B0323	-	DML083	023Z5040	SGP 10s N	014L0182	1,3	118U3474	118U3492	KP 17 WB	060-539766
OP-MSHM015	SC15MLX	195B0391	-	DML083	023Z5040	SGP 10s N	014L0182	1,3	118U3474	118U3492	KP 17 WB	060-539766
OP-MSHM018	SC18MLX	195B0624	-	DML083	023Z5040	SGP 10s N	014L0182	1,3	118U3474	118U3492	KP 17 WB	060-539766
OP-MSHM024	CAJ9513Z	118U3912	-	DML084	023Z5041	SGP 12 N	014L0173	3,4	118U3475	118U3493	KP 17 WB	060-539766
OP-MSHM026	CAJ4517Z / TAJ4517Z	118U3810	118U3770	DML084	023Z5041	SGP 12 N	014L0173	3,4	118U3475	118U3493	KP 17 WB	060-539766
OP-MSHM034	CAJ4519Z / TAJ4519Z	118U3811	118U3751	DML084	023Z5041	SGP 12 N	014L0173	3,4	118U3475	118U3493	KP 17 WB	060-539766
OP-MSUM034	MLZ015	121U8024	121U8002	DML084	023Z5041	SGP 12 N	014L0173	3,4	118U3475	118U3493	KP 17 WB	060-539766
OP-MSUM046	MLZ021	121U8028	121U8006	DML084	023Z5041	SGP 12 N	014L0173	3,4	118U3475	118U3493	KP 17 WB	060-539766
OP-MSUM057	MLZ026	121U8030	121U8008	DML084	023Z5041	SGP 12 N	014L0173	3,4	118U3475	118U3493	KP 17 WB	060-539766
OP-MSUM068	MLZ030	121U8032	121U8010	DML164	023Z5044	SGP 12 N	014L0173	6,2	118U3476	118U3494	KP 17 WB	060-539766
OP-MSUM080	MLZ038	121U8034	121U8012	DML164	023Z5044	SGP 12 N	014L0173	6,2	118U3476	118U3494	KP 17 WB	060-539766
OP-MSUM099	MLZ045	-	121U8014	DML164	023Z5044	SGP 12 N	014L0173	6,2	118U3476	118U3494	KP 17 WB	060-539766
OP-MSUM108	MLZ048	-	121U8016	DML164	023Z5044	SGP 12 N	014L0173	6,2	118U3476	118U3494	KP 17 WB	060-539766

*) Filter drier DCL (appropriate model and size) can be used as a service replacement of DML

Technical data and ordering

Optyma™ Slim Pack - MBP

Spare parts

Unit	Fan capacitor [μF]		Fan motor [W] (capacitor not included)		Fan blad [mm]		Fan grill		Crankcase heater		Suction valve		Liquid valve	
OP-MSHM010	1.8	118U3296	25	118U3477	365	118U3480	B1	118U3483	Belt 50 W	120Z0057	3/8" brazed	118U3414	1/4" brazed	118U3413
OP-MSHM012	1.8	118U3296	25	118U3477	365	118U3480	B1	118U3483	Belt 50 W	120Z0057	3/8" brazed	118U3414	3/8" brazed	118U3414
OP-MSHM015	1.8	118U3296	25	118U3477	365	118U3480	B1	118U3483	Belt 50 W	120Z0057	3/8" brazed	118U3414	3/8" brazed	118U3414
OP-MSHM018	1.8	118U3296	25	118U3477	365	118U3480	B1	118U3483	Belt 50 W	120Z0057	3/8" brazed	118U3414	3/8" brazed	118U3414
OP-MSHM024	3.5	118U3297	68	118U3823	450	118U3481	B2	118U3484	Belt 50 W	120Z0057	1/2" brazed	118U3761	1/2" brazed	118U3761
OP-MSHM026	3.5	118U3297	68	118U3823	450	118U3481	B2	118U3484	Belt 50 W	120Z0057	1/2" brazed	118U3761	1/2" brazed	118U3761
OP-MSHM034	3.5	118U3297	68	118U3823	450	118U3481	B2	118U3484	Belt 50 W	120Z0057	1/2" brazed	118U3761	1/2" brazed	118U3761
OP-MSUM034	3.5	118U3297	68	118U3823	450	118U3481	B2	118U3484	Belt 70 W	120Z5040	3/4" brazed	118U3762	1/2" brazed	118U3761
OP-MSUM046	3.5	118U3297	68	118U3823	450	118U3481	B2	118U3484	Belt 70 W	120Z5040	3/4" brazed	118U3762	1/2" brazed	118U3761
OP-MSUM057	3.5	118U3297	68	118U3823	450	118U3481	B2	118U3484	Belt 70 W	120Z5040	3/4" brazed	118U3762	1/2" brazed	118U3761
OP-MSUM068	5	included	130	Full fan assembly *) 118U3829 (500 mm)			B3	118U3485	Belt 70 W	120Z5040	7/8" brazed	118U3763	1/2" brazed	118U3761
OP-MSUM080	5	included	130	Full fan assembly *) 118U3829 (500 mm)			B3	118U3485	Belt 70 W	120Z5040	7/8" brazed	118U3763	1/2" brazed	118U3761
OP-MSUM099	5	included	130	Full fan assembly *) 118U3829 (500 mm)			B3	118U3485	Belt 70 W	120Z5040	7/8" brazed	118U3763	1/2" brazed	118U3761
OP-MSUM108	5	included	130	Full fan assembly *) 118U3829 (500 mm)			B3	118U3485	Belt 70 W	120Z5040	7/8" brazed	118U3763	1/2" brazed	118U3761

*) For B3 models produced before the 26th week of 2014 fan parts are the following:

Fan capacitor - 118U3298 (6 μF)

Fan motor - 118U3479 (130 W)

Fan blade - 118U3833 (f24")

Optyma™ Slim Pack - MBP

Accessory

Unit	Acoustic hood	Fan speed control	Oil
OP-MSHM010	N/A	061H3142	N/A
OP-MSHM012	N/A	061H3142	N/A
OP-MSHM015	N/A	061H3142	N/A
OP-MSHM018	N/A	061H3142	N/A
OP-MSHM024	N/A	061H3142	N/A
OP-MSHM026	N/A	061H3142	N/A
OP-MSHM034	N/A	061H3142	N/A
OP-MSUM034	120Z5043	061H3142	120Z5034
OP-MSUM046	120Z5043	061H3142	120Z5034
OP-MSUM057	120Z5043	061H3142	120Z5034
OP-MSUM068	120Z5044	061H3142	120Z5034
OP-MSUM080	120Z5044	061H3142	120Z5034
OP-MSUM099	120Z5044	061H3142	120Z5034
OP-MSUM108	120Z5044	061H3142	120Z5034

Technical data and ordering

Optyma™ Slim Pack - LBP

Electrical characteristics - 230 V / 1phase - 50 Hz

Unit	Wiring diagram	LRA compressor [A] 230 V / 1 phase	MCC compressor [A] 230 V / 1 phase	Max cont. power consumption [kW]	MCC Fan [A] 230 V / 1 phase	Fan Power [kW]
OP-LSHM015	WD 1	19.6	4.7	0.95	0.32	1x25
OP-LSHM018		23.5	5.3	1.07	0.32	1x25
OP-LSHM026		29	7.9	1.4	0.47	1x68
OP-LSHM034	WD 2	40	10	1.87	0.47	1x68
OP-LSHM048		37	11	2.19	0.47	1x68
OP-LSHM074		81	24	3.45	0.47	1x68
OP-LSHM068		53	17	3.62	0.47	1x68

Optyma™ Slim Pack - LBP

Electrical characteristics - 400 V / 3phase - 50 Hz

Unit	Wiring diagram	LRA compressor [A] 400 V / 3 phase	MCC compressor [A] 400 V / 3 phase	Max cont. power consumption [kW]	MCC Fan [A] 230 V / 1 phase	Fan Power [kW]
OP-LSHM048	WD 7	16	4.8	2.28	0.47	1x68
OP-LSHM074		28	7.2	3.34	0.47	1x68
OP-LSHM068		25	8.4	3.57	0.47	1x68
OP-LSHM067	WD5	62	12	4.59	0.97	1x130
OP-LSHM084		88.5	15	5.49	0.97	1x130
OP-LSHM098		90	14.4	6.2	0.97	1x130

Note:

LRA: Locked Rotor Amps

MCC: Maximum Continuous Current

Optyma™ Slim Pack - LBP

Spare parts

Unit	Compressor			Filter drier *)		Sight glass		Receiver [L]		Condenser	Dual Pressure switch	
	Model	1 phase	3 phases									
OP-LSHM015	SC15CLX.2	195B0399	-	DML083	023Z5040	SGP 10s N	014L0182	1.3	118U3474	118U3492	KP 17 WB	060-539766
OP-LSHM018	SC18CLX.2	195B0332	-	DML083	023Z5040	SGP 10s N	014L0182	1.3	118U3474	118U3492	KP 17 WB	060-539766
OP-LSHM026	CAJ2446Z	118U3779	-	DML084	023Z5041	SGP 12 N	014L0173	3.4	118U3475	118U3493	KP 17 WB	060-539766
OP-LSHM034	CAJ2464Z	118U3769	-	DML084	023Z5041	SGP 12 N	014L0173	3.4	118U3475	118U3493	KP 17 WB	060-539766
OP-LSHM048	NTZ048	120F0087	120F0001	DML084	023Z5041	SGP 12 N	014L0173	3.4	118U3475	118U3493	KP 17 WB	060-539766
OP-LSHM074	FH2511Z	118U3914	-	DML084	023Z5041	SGP 12 N	014L0173	3.4	118U3475	118U3493	KP 17 WB	060-539766
	TFH2511Z	-	118U3915	DML084	023Z5041	SGP 12 N	014L0173	3.4	118U3475	118U3493	KP 17 WB	060-539766
OP-LSHM068	NTZ068	120F0088	120F0002	DML084	023Z5041	SGP 12 N	014L0173	3.4	118U3475	118U3493	KP 17 WB	060-539766
OP-LSHM067	LLZ013	-	121L9517	DML164	023Z5044	SGP 12 N	014L0173	6.2	118U3476	118U3494	KP 17 WB	060-539766
OP-LSHM084	LLZ015	-	121L9513	DML164	023Z5044	SGP 12 N	014L0173	6.2	118U3476	118U3494	KP 17 WB	060-539766
OP-LSHM098	LLZ018	-	121L9509	DML164	023Z5044	SGP 12 N	014L0173	6.2	118U3476	118U3494	KP 17 WB	060-539766

*) Filter drier DCL (appropriate model and size) can be used as a service replacement of DML

Technical data and ordering

Optyma™ Slim Pack - LBP

Spare parts

Unit	Fan capacitor [μF]		Fan motor [W] (capacitor not included)		Fan blade [mm]		Fan grill		Crankcase heater		Suction valve		Liquid valve	
OP-LSHM015	1.8	118U3296	25	118U3477	365	118U3480	B1	118U3483	Belt 50 W	120Z0057	3/8" brazed	118U3414	3/8" brazed	118U3414
OP-LSHM018	1.8	118U3296	25	118U3477	365	118U3480	B1	118U3483	Belt 50 W	120Z0057	3/8" brazed	118U3414	3/8" brazed	118U3414
OP-LSHM026	3.5	118U3297	68	118U3823	450	118U3481	B2	118U3484	Belt 50 W	120Z0057	1/2" brazed	118U3761	1/2" brazed	118U3761
OP-LSHM034	3.5	118U3297	68	118U3823	450	118U3481	B2	118U3484	Belt 50 W	120Z0057	1/2" brazed	118U3761	1/2" brazed	118U3761
OP-LSHM048	3.5	118U3297	68	118U3823	450	118U3481	B2	118U3484	PTC 35 W	120Z0459	5/8" brazed	118U3764	1/2" brazed	118U3761
OP-LSHM074	3.5	118U3297	68	118U3823	450	118U3481	B2	118U3484	PTC 35 W	120Z0459	5/8" brazed	118U3764	1/2" brazed	118U3761
OP-LSHM068	3.5	118U3297	68	118U3823	450	118U3481	B2	118U3484	PTC 35 W	120Z0459	5/8" brazed	118U3764	1/2" brazed	118U3761
OP-LSHM067	5	included	130	Full fan assembly *) 118U3829 (500 mm)		B3	118U3485	Belt 70 W	120Z5040		3/4" brazed	118U3762	1/2" brazed	118U3761
OP-LSHM084	5	included	130	Full fan assembly *) 118U3829 (500 mm)		B3	118U3485	Belt 70 W	120Z5040		3/4" brazed	118U3762	1/2" brazed	118U3761
OP-LSHM098	5	included	130	Full fan assembly *) 118U3829 (500 mm)		B3	118U3485	Belt 70 W	120Z5040		3/4" brazed	118U3762	1/2" brazed	118U3761

*) For B3 models produced before the 26th week of 2014 fan parts are the following:

Fan capacitor - 118U3298 (6 μF)

Fan motor - 118U3479 (130 W)

Fan blade - 118U3833 (f24")

Optyma™ Slim Pack - LBP

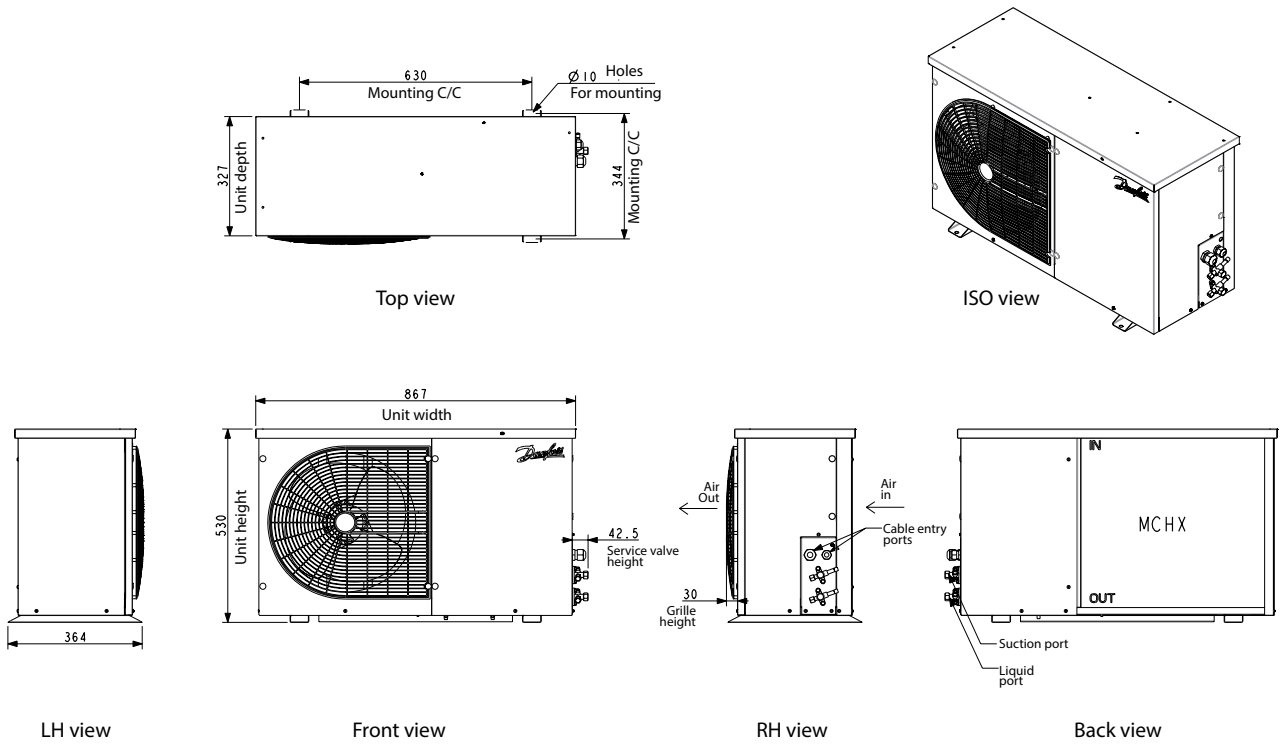
Accessory

Unit	Acoustic hood	Fan speed control	Oil
OP-LSHM015	N/A	061H3142	N/A
OP-LSHM018	N/A	061H3142	N/A
OP-LSHM026	N/A	061H3142	N/A
OP-LSHM034	N/A	061H3142	N/A
OP-LSHM048	120Z0471	061H3142	7754019
OP-LSHM074	N/A	061H3142	N/A
OP-LSHM068	120Z0471	061H3142	7754019
OP-LSHM067	120Z5052 **)	061H3142	120Z5034
OP-LSHM084	120Z5052 **)	061H3142	120Z5034
OP-LSHM098	120Z5052 **)	061H3142	120Z5034

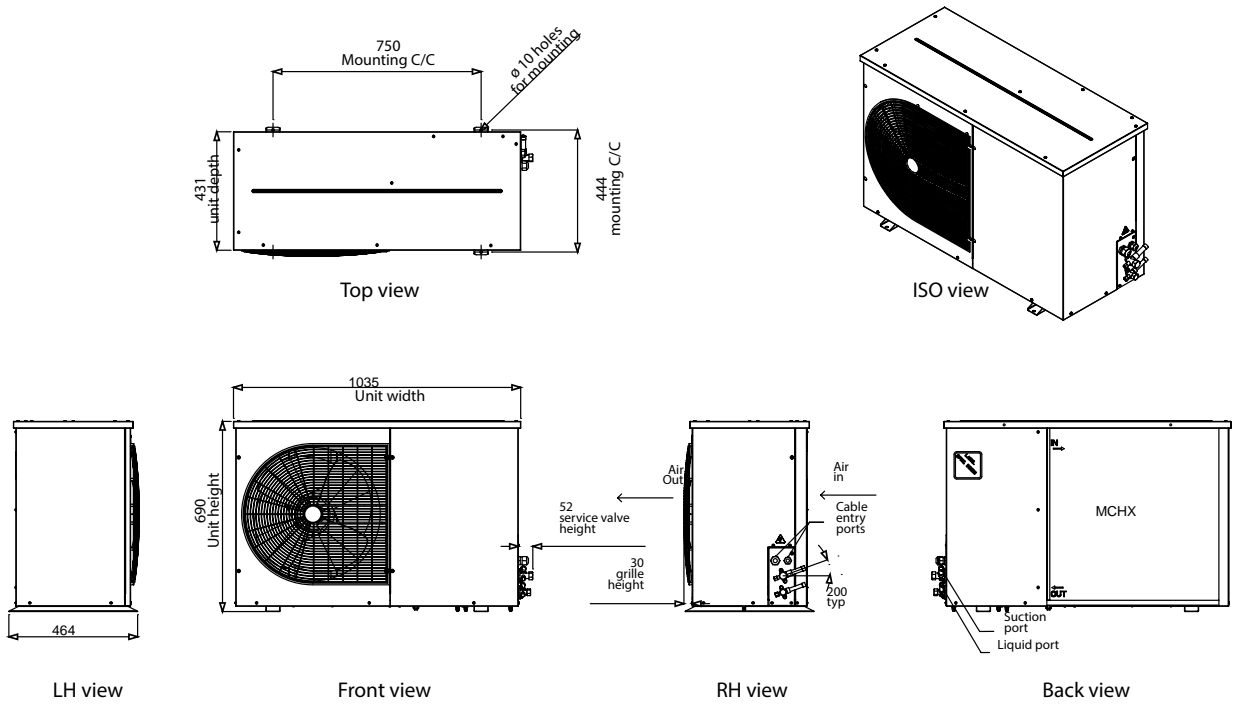
***) Acoustic hood is included

Dimensions

Housing B1

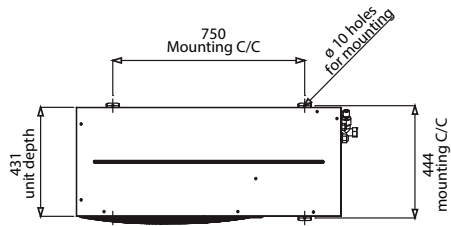


Housing B2

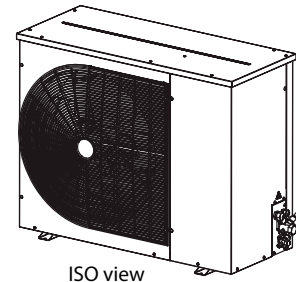


Dimensions

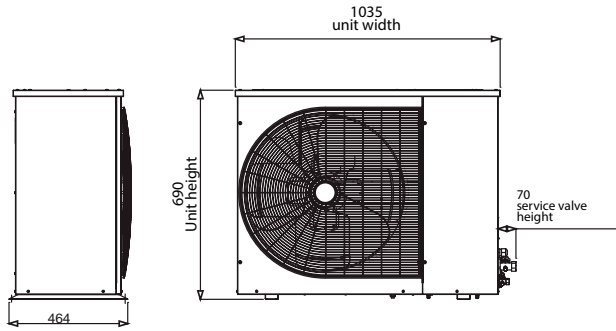
Housing B3



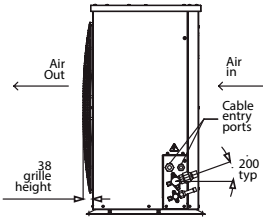
Top view



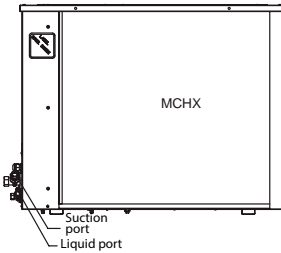
ISO view



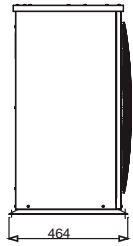
Front view



RH view



Back view

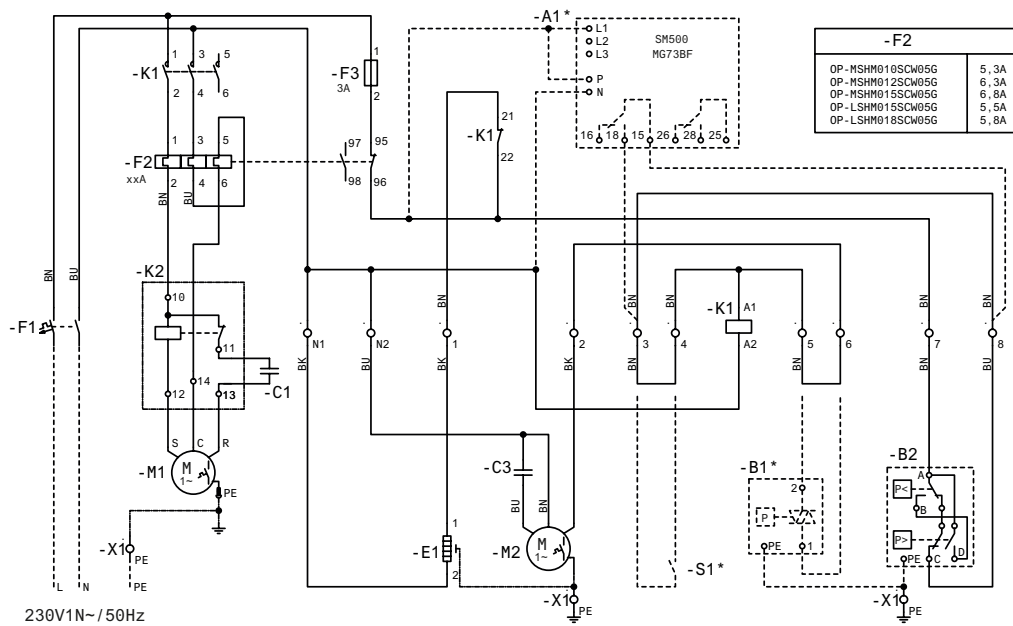


LH view

01
02
03
04
05
06
07
08
09
10
11
12
13
14
15
16
17
18
19
20

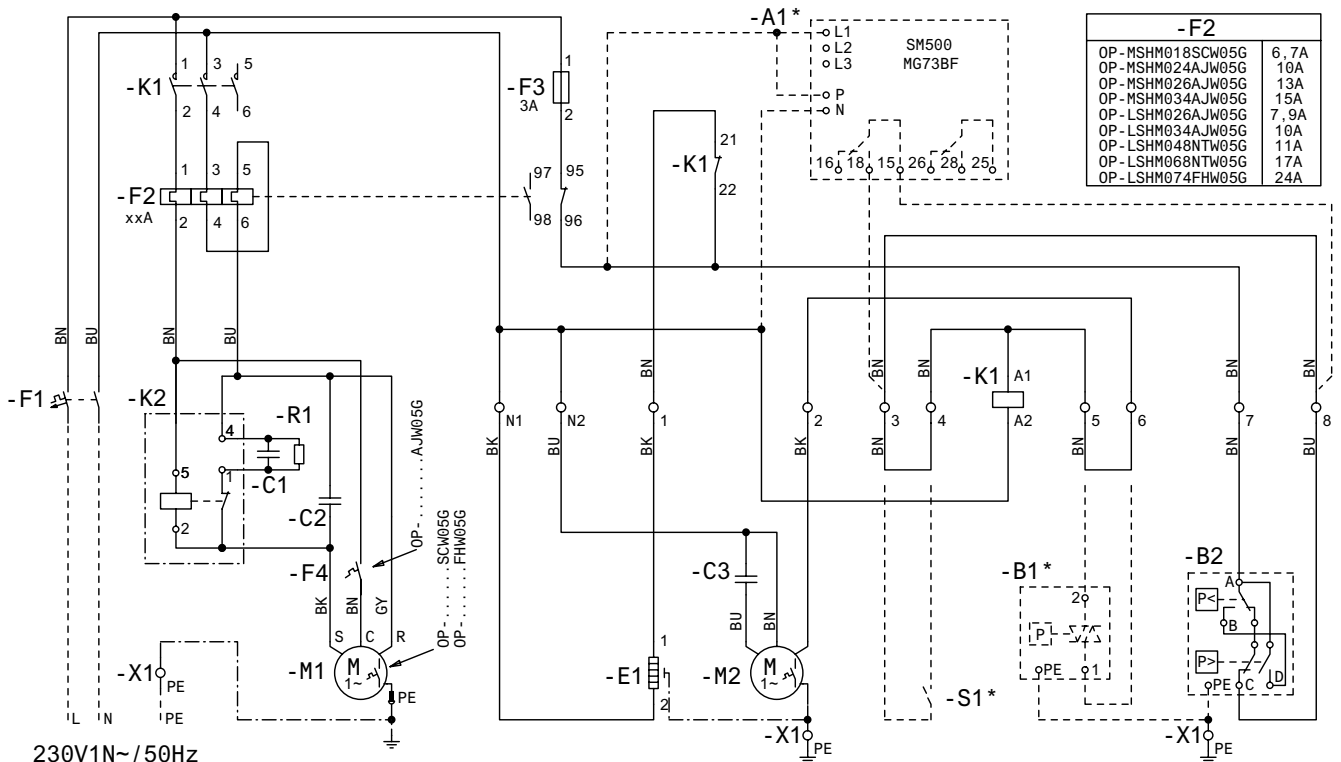
Wiring diagram

Code G : OP-MSHM010- 012 - 015, OP-LSHM015 - 018



WD 1

Code G : OP-LSHM026 - 034 - 048 - 074 - 068, OP-MSHM018 - 024 - 026 - 034



WD 2

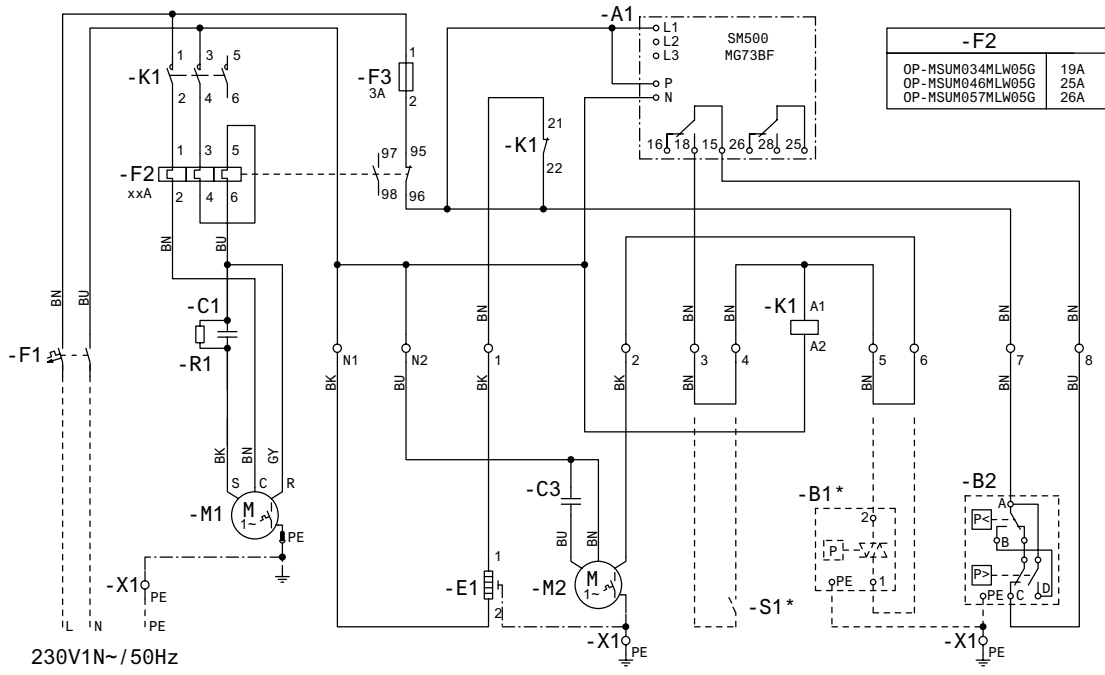
BK) black
BU) blue
BN) brown
GY) grey
RD) red
WH) white

A1*) Voltage relay (option)
B1*) Fan speed controller (option)
B2) High and Low pressure switch
C1) Start capacitor compressor
C2) WD1:Start capacitor compressor
 WD2: Run capacitor compressor
C3) Run capacitor fan
E1) Crankcase heater
F1) Main switch
F2) Overload relay
F3) Fuse control circuit

F4) Compressor thermal protector
M1) Compressor
M2) Fan motor
K1) Contactor
K2) Start relay
R1) Bleeder resistor
S1*) Room thermostat (option)
X1) Terminals
***)** Option (remove bridge)

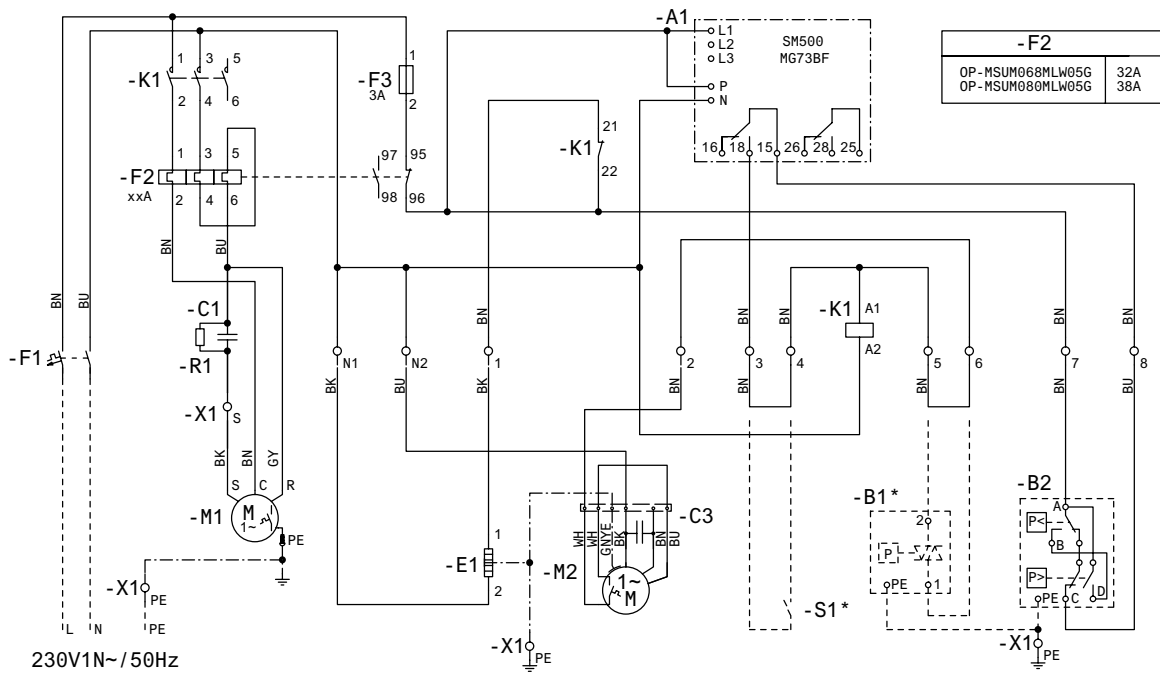
Wiring diagram

Code G : OP-MSUM034 - 046 - 057



WD 3

Code G : OP-MSUM068 - 080



WD 4

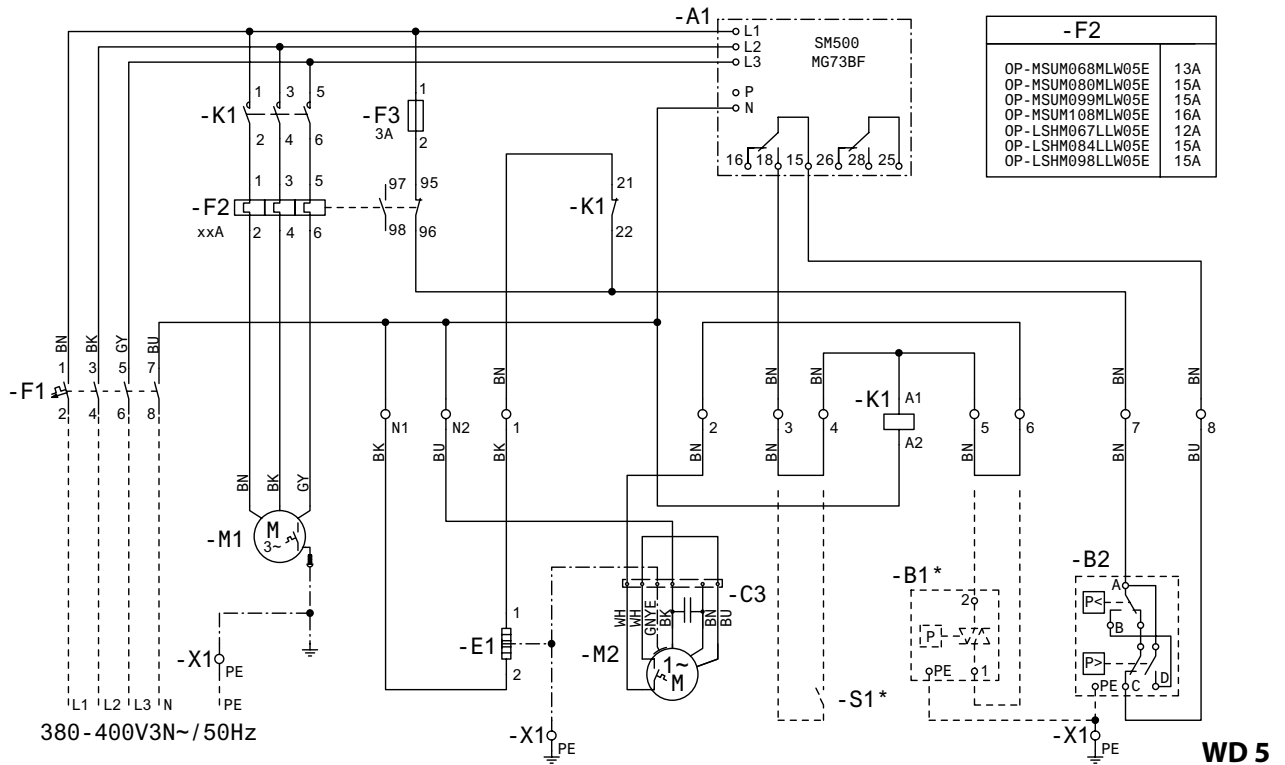
- BK)** black
- BU)** blue
- BN)** brown
- GY)** grey
- RD)** red
- WH)** white

- A1)** Voltage relay
- B1*)** Fan speed controller (option)
- B2)** High and Low pressure switch
- C1)** Run capacitor compressor
- C3)** Run capacitor fan
- E1)** Crankcase heater
- F1)** Main switch
- F2)** Overload relay
- F3)** Fuse control circuit

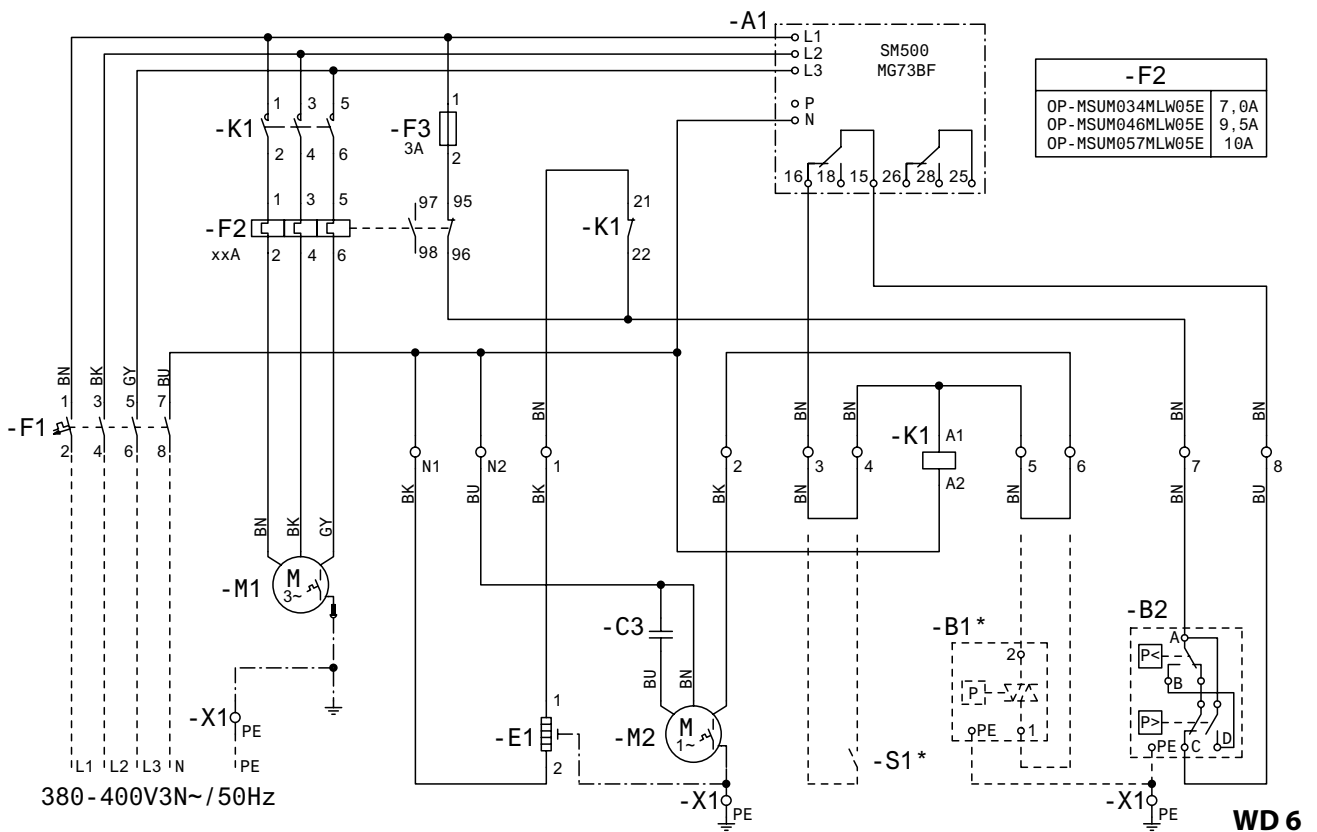
- M1)** Compressor
- M2)** Fan motor
- K1)** Contactor
- K2)** Start relay
- R1)** Bleeder resistor
- S1*)** Room thermostat (option)
- X1)** Terminals
- *)** Option (remove bridge)

Wiring diagram

Code E : OP-MSUM068 - 080 - 099 - 108, OP-LSHM067 - 084 - 098



Code E : OP-MSUM034 - 046 - 057



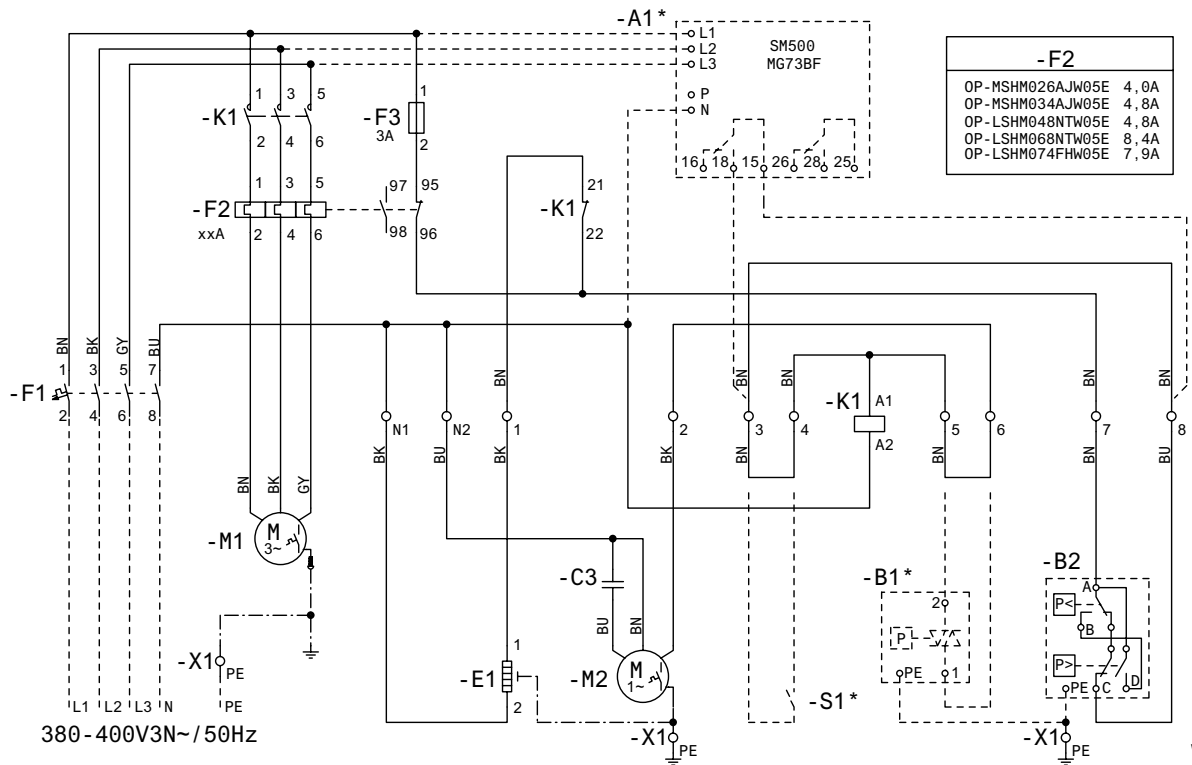
- BK)** black
- BU)** blue
- BN)** brown
- GY)** grey
- RD)** red
- WH)** white

- A1)** Voltage relay
- B1*)** Fan speed controller (option)
- B2)** High and Low pressure switch
- C3)** Run capacitor fan
- E1)** Crankcase heater
- F1)** Main switch
- F2)** Overload relay
- F3)** Fuse control circuit

- M1)** Compressor
- M2)** Fan motor
- K1)** Contactor
- K2)** Start relay
- S1*)** Room thermostat (option)
- X1)** Terminals
- *)** Option (remove bridge)

Wiring diagram

Code E : OP-LSHM048 - 074 - 068, OP-MSHM026 - 034



WD 7

BK) black
BU) blue
BN) brown
GY) grey
RD) red
WH) white

A1*) Voltage relay (option)
B1*) Fan speed controller (option)
B2) High and Low pressure switch
C3) Run capacitor fan
E1) Crankcase heater
F1) Main switch
F2) Overload relay
F3) Fuse control circuit

M1) Compressor
M2) Fan motor
K1) Contactor
K2) Start relay
S1*) Room thermostat (option)
X1) Terminals
***)** Option (remove bridge)

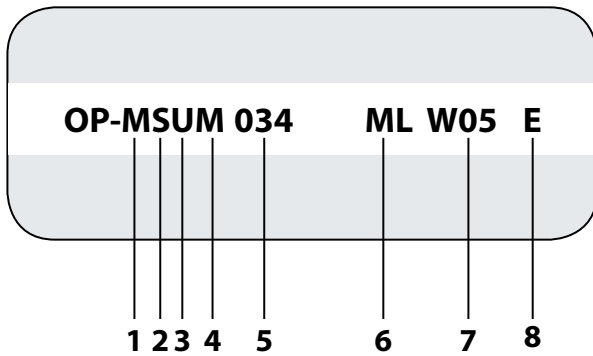
-F2	
OP-MSHM026AJW05E	4, 0A
OP-MSHM034AJW05E	4, 8A
OP-LSHM048NTW05E	4, 8A
OP-LSHM068NTW05E	8, 4A
OP-LSHM074FW05E	7, 9A

01
02
03
04
05
06
07
08
09
10
11
12
13
14
15
16
17
18
19
20

Nomenclature

Designation system for the Optyma™ Slim Pack range

(additional program frequency etc.: please contact your local wholesaler)



Number	Title	Description
1	Application	M = MBP L = LBP
2	Condensing unit family	S = Optyma™ Slim Pack
3	Refrigerant	U = R134a / R404A / R507 / R22 / R407A / R407F H = R404A / R507
4	Condenser type	M = Standard with micro channel heat exchanger
5	Displacement	cm ³
6	Compressor platform	SC = SC reciprocating AJ = CAJ / TAJ reciprocating ML = MLZ scroll NT = NTZ reciprocating LL = LLZ scroll
7	Version	W05
8	Voltage code:	G = 230 V / 1ph compressor and fan E = 400 V / 3ph compressor and 230 V / 1ph fan

Quick selection

Select the right Danfoss Optyma™ **Slim Pack** condensing unit according to your needs

Model and cooling capacity by cold room type	Meat 1 °C – 18 h		Fish 1 °C – 18 h		Laboratory 12 °C – 18 h		Fruit & vegetables 8 °C – 18 h		Fruit & vegetables 0 °C – 18 h		Butter, eggs & cheese 5 °C – 18 h		Freezers -18 °C – 16 h	
	Cap. *) [W]	CR **) [m³]	Cap. *) [W]	CR **) [m³]	Cap. *) [W]	CR **) [m³]	Cap. *) [W]	CR **) [m³]	Cap. *) [W]	CR **) [m³]	Cap. *) [W]	CR **) [m³]	Cap. *) [W]	CR **) [m³]
OP-MSHM010	900	6	900	6	1270	8	1270	17	900	7	1030	9	-	-
OP-MSHM012	1090	8	1090	8	1530	10	1530	25	1090	8	1240	12	-	-
OP-MSHM015	1350	11	1350	11	1890	13	1890	30	1350	12	1530	16	-	-
OP-MSHM018	1570	14	1570	14	2200	15	2200	40	1570	14	1790	20	-	-
OP-MSHM024	2280	20	2280	20	3100	20	3100	60	2280	20	2250	25	-	-
OP-MSHM026	2600	22	2600	22	3500	22	3500	70	2600	22	2900	35	-	-
OP-MSHM034	3200	30	3200	30	4300	30	4300	90	3200	30	3600	45	-	-
OP-MSUM034	3700	45	3700	45	4800	40	4800	120	3700	45	4050	65	-	-
OP-MSUM046	4850	60	4850	60	6250	60	6250	180	4850	65	5350	85	-	-
OP-MSUM057	5500	75	5500	75	7300	75	7300	210	5500	75	6250	110	-	-
OP-MSUM068	7850	110	7850	110	10350	150	10350	280	7850	120	8750	160	-	-
OP-MSUM080	9100	140	9100	140	11950	180	11950	350	9100	140	10150	200	-	-
OP-MSUM099	10800	170	10800	170	13800	210	13800	430	10800	170	11750	245	-	-
OP-MSUM108	11350	180	11350	180	14700	220	14700	450	11350	180	12550	260	-	-
OP-LSHM015	-	-	-	-	-	-	-	-	-	-	-	-	680	2
OP-LSHM018	-	-	-	-	-	-	-	-	-	-	-	-	750	3
OP-LSHM026	-	-	-	-	-	-	-	-	-	-	-	-	1200	6
OP-LSHM034	-	-	-	-	-	-	-	-	-	-	-	-	1500	9
OP-LSHM048	-	-	-	-	-	-	-	-	-	-	-	-	1850	16
OP-LSHM074	-	-	-	-	-	-	-	-	-	-	-	-	2600	25
OP-LSHM068	-	-	-	-	-	-	-	-	-	-	-	-	2750	30
OP-LSHM067	-	-	-	-	-	-	-	-	-	-	-	-	4100	50
OP-LSHM084	-	-	-	-	-	-	-	-	-	-	-	-	4900	60
OP-LSHM098	-	-	-	-	-	-	-	-	-	-	-	-	5650	70

Data refers to 32 °C ambient temperature

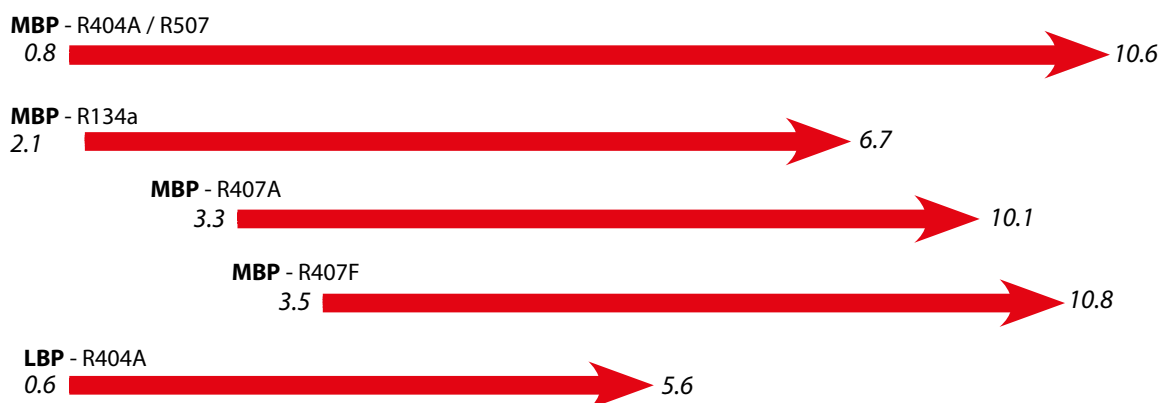
Refer to Danfoss for different working conditions

Application - Cold room Temperature - Daily working hours

*) Cooling capacity at 32 °C ambient temperature

**) Volume of cold room

Optyma™ Slim Pack - COOLING CAPACITY RANGE [kW]



Conditions: MBP 32 °C, LBP 32 °C
 Ambient temperature: 32 °C
 Evaporating temperature: -10 °C

Optyma™ Slim Pack units can work in the following evaporating temperature range:

MBP R404A / R507 -20 – 10 °C
 MBP R407A / R407F -20 – 10 °C
 MBP R134a -15 °C – 15 °C
 LBP R404A / R507 -40 °C – -10 °C

For further detailed information, please contact Danfoss

01
02
03
04
05
06
07
08
09
10
11
12
13
14
15
16
17
18
19
20

Optyma™ Plus Inverter

Capacity modulation in a simple and **adapative** package

Optyma™ Plus **INVERTER** combines our market leading expertise in condensing unit design with the unique benefits of stepless inverter scroll technology.

The result is 25% higher energy efficiency in an adaptive package, for medium and high temperature refrigeration applications in the range of 2kW to 9kW with R407A, R407F and R404A.



Facts

Unique Danfoss features

- Danfoss inverter scroll and drive tuned to work together for a wide range of refrigeration applications
- Danfoss micro-channel heat exchanger
- IDV* technology enhances part-load efficiency and allows less stress on components
- Danfoss proven condensing unit design
- Optyma™ **Plus Controller**

Plug-and-play variable speed technology

- One model suits several applications and model selection is easy and safe, especially in sensitive applications where the loads change rapidly
- The installation of an Optyma™ Plus INVERTER is as simple as a standard Optyma™ Plus. Preset parameters and Modbus communication makes start-up and maintenance of the condensing unit effortlessly quick and easy

High reliability for safe food preservation

- Accurate temperature and humidity control can be tailored to suit the requirements of different foods and beverages
- Improved food preservation and less waste of valuable products
- Electronic controller enables quick and accurate diagnostics
- Built-in compressor protection functions

*IDV: Intermediate Discharge Valves

Technical data and ordering

Technical specifications

Unit	Condenser coil			Condenser fan	Receiver	Dimensions					Weight [kg]	
	Type	Air flow [m ³ /h]	Internal volume [dm ³]	Fan blade Ø [mm]	volume [L] (without valve)	Depth D [mm]	Width W [mm]	Height H [mm]	Suction line	Liquid line	Gross	Net
OP-MPLM028	G7	5200	1.8	1x500	6.2	481	1406	965	3/4"	5/8"	150	124
OP-MPLM035	G7	5200	1.8	1x500	6.2	481	1406	965	3/4"	5/8"	151	125
OP-MPLM044	G7	5200	1.8	1x500	6.2	481	1406	965	3/4"	5/8"	151	125

Technical data and ordering

Optyma™ Plus INVERTER, R407A

Unit	Code no	Compressor	Compressor speed, rps	Amb. temp. °C	Capacity range in (W) at evaporating temperature [°C]					Sound power level dB(A)	Sound pressure level full speed @10m dB(A)	Power consumption EN13215, SH10K, Amb. temp. 32 °C	
					-15 °C	-10 °C	-5 °C	0 °C	5 °C			-10 °C	0 °C
					OP-MPLM028	114X4300	VLZ028	30	27			1440	1810
32	1350	1690	2100	2590					3150				
38	-	1570	1940	2400					2920				
43	-	-	-	-					-				
50	27	2400	3020	3740				4580	5560	73.4	42.4	1321	1417
	32	2260	2850	3540				4350	5280				
	38	-	2640	3300				4060	4940				
	43	-	2470	3080				3800	4630				
75	27	3530	4460	5530				6780	8200	74.0	43.0	1978	2176
	32	3340	4220	5250				6430	7790				
	38	-	3930	4890				6000	7270				
	43	-	3670	4570				5620	6810				
100	27	4600	5820	7220				8830	10650	75.3	44.3	2781	3069
	32	4360	5520	6840				8360	10080				
	38	-	5150	6380				7790	9390				
	43	-	4830	5980				7300	8810				
OP-MPLM035	114X4315	VLZ035	30	27	1810	2270	2820	3450	4200	71.7	40.7	1049	1059
				32	1700	2130	2640	3250	3950				
				38	-	1970	2440	3010	3670				
				43	-	-	-	-	-				
			50	27	3010	3790	4690	5740	6940	72.3	41.3	1580	1711
				32	2840	3580	4440	5440	6600				
				38	-	3320	4130	5070	6160				
				43	-	3090	3850	4740	5770				
			75	27	4420	5580	6910	8440	10180	72.9	41.9	2404	2671
				32	4180	5280	6540	8000	9650				
				38	-	4900	6090	7450	8990				
				43	-	4570	5680	6960	8420				
			100	27	5750	7250	8960	10920	13120	74.6	43.6	3414	3811
				32	5450	6870	8480	10330	12400				
				38	-	6400	7900	9600	11530				
				43	-	5990	7400	8990	10800				
OP-MPLM044	114X4333	VLZ044	30	27	2320	2900	3590	4390	5330	72.6	41.6	1265	1286
				32	2170	2720	3370	4130	5020				
				38	-	2510	3110	3830	4660				
				43	-	-	-	-	-				
			50	27	3830	4810	5950	7270	8780	73.1	43.1	1944	2127
				32	3610	4540	5630	6890	8330				
				38	-	4210	5230	6410	7760				
				43	-	3910	4870	5980	7260				
			75	27	5610	7050	8710	10600	12740	73.7	43.7	3006	3379
				32	5290	6670	8240	10030	12060				
				38	-	6180	7650	9320	11210				
				43	-	5750	7120	8690	10460				
			100	27	7260	9120	11220	13590	16240	74.4	43.4	4317	4883
				32	6870	8630	10610	12840	15330				
				38	-	8020	9850	11920	14230				
				43	-	7500	9210	11130	13290				

Electrical code E: Compressor 400V/3/50 Hz, fan 230V/1/50 Hz

01
02
03
04
05
06
07
08
09
10
11
12
13
14
15
16
17
18
19
20

Technical data and ordering

Optyma™ Plus INVERTER, R407F

Unit	Code no	Compressor	Compressor speed, rps	Amb. temp. °C	Capacity range in (W) at evaporating temperature [°C]					Sound power level dB(A)	Sound pressure level full speed @10m dB(A)	Power consumption EN13215, SH10K, Amb. temp. 32 °C	
					-15 °C	-10 °C	-5 °C	0 °C	5 °C			-10 °C	0 °C
					OP-MPLM028	114X4300	VLZ028	30	27			1540	1920
32	1450	1820	2250	2750					3340				
38	-	1690	2090	2560					3120				
43	-	-	-	-					-				
50	27	2620	3280	4060				4950	5970	72.3	41.3	1395	1475
	32	2470	3110	3850				4700	5680				
	38	-	2890	3590				4400	5320				
	43	-	2700	3360				4130	5010				
75	27	3860	4850	5970				7270	8730	72.9	41.9	2090	2277
	32	3650	4590	5670				6910	8310				
	38	-	4280	5300				6470	7790				
	43	-	4000	4970				6080	7340				
100	27	5010	6260	7700				9330	11180	74.2	43.2	2923	3226
	32	4750	5950	7320				8880	10640				
	38	-	5560	6850				8320	9980				
	43	-	5230	6450				7840	9420				
OP-MPLM035	114X4315	VLZ035	30	27	1940	2420	2990	3650	4420	71.2	40.2	1106	1117
				32	1830	2290	2820	3460	4190				
				38	-	2120	2630	3220	3910				
				43	-	-	-	-	-				
			50	27	3280	4120	5080	6190	7450	71.9	40.9	1675	1788
				32	3100	3900	4820	5880	7090				
				38	-	3620	4490	5490	6630				
				43	-	3370	4200	5160	6240				
			75	27	4830	6060	7450	9040	10830	72.5	41.5	2546	2805
				32	4560	5730	7070	8590	10300				
				38	-	5330	6590	8030	9640				
				43	-	4980	6180	7540	9070				
			100	27	6250	7800	9550	11550	13780	73.55	42.5	3595	4014
				32	5920	7400	9070	10970	13100				
				38	-	6910	8480	10270	12270				
				43	-	6490	7980	9670	11560				
OP-MPLM044	114X4333	VLZ044	30	27	2480	3090	3810	4650	5620	72	41	1338	1362
				32	2340	2920	3600	4400	5320				
				38	-	2710	3350	4100	4960				
				43	-	-	-	-	-				
			50	27	4180	5230	6450	7830	9410	72.6	41.6	2069	2235
				32	3940	4950	6110	7430	8940				
				38	-	4590	5680	6930	8350				
				43	-	4270	5310	6500	7850				
			75	27	6120	7650	9380	11350	13560	73.2	42.2	3194	3566
				32	5770	7230	8890	10770	12870				
				38	-	6710	8280	10040	12020				
				43	-	6260	7740	9420	11290				
			100	27	7880	9790	11960	14390	17090	74	43	4558	5156
				32	7460	9280	11340	13650	16220				
				38	-	8650	10580	12750	15160				
				43	-	8110	9940	11980	14260				

Electrical code E: Compressor 400V/3/50 Hz, fan 230V/1/50 Hz

Technical data and ordering

Optyma™ Plus INVERTER, R404A

Unit	Code no	Compressor	Compressor speed, rps	Amb. temp. °C	Capacity range in (W) at evaporating temperature [°C]					Sound power level dB(A)	Sound pressure level full speed @10m dB(A)	Power consumption EN13215, SH10K, Amb. temp. 32 °C	
					-15 °C	-10 °C	-5 °C	0 °C	5 °C			-10 °C	0 °C
OP-MPLM028	114X4300	VLZ028	30	27	1540	1920	2380	2910	3530	71.2	40.2	971	962
				32	1450	1800	2210	2700	3280				
				38	-	-	-	-	-				
				43	-	-	-	-	-				
			50	27	2680	3340	4100	4970	5950	71.9	40.9	1462	1492
				32	2510	3130	3850	4660	5580				
				38	2300	2880	3540	4290	5140				
				43	2110	2650	3270	3970	4770				
			75	27	4000	4980	6080	7320	8710	72.5	41.5	2197	2328
				32	3730	4660	5700	6870	8180				
				38	3380	4250	5220	6310	7530				
				43	3070	3890	4810	5830	6960				
			100	27	5200	6440	7840	9400	11140	73.7	42.7	3064	3348
				32	4840	6020	7340	8810	10440				
				38	4390	5480	6710	8060	9570				
				43	4000	5020	6160	7420	8830				
OP-MPLM035	114X4315	VLZ035	30	27	1940	2420	2980	3650	4410	73.1	42.1	1147	1143
				32	1830	2260	2780	3390	4100				
				38	-	-	-	-	-				
				43	-	-	-	-	-				
			50	27	3360	4190	5130	6200	7400	73.8	42.8	1760	1811
				32	3140	3920	4810	5820	6950				
				38	2870	3600	4420	5350	6390				
				43	2640	3310	4080	4950	5920				
			75	27	4990	6190	7550	9070	10750	74.4	43.4	2679	2865
				32	4640	5790	7070	8500	10080				
				38	4200	5270	6470	7790	9260				
				43	3810	4820	5940	7180	8550				
			100	27	6450	7970	9670	11550	13630	75.4	44.4	3767	4148
				32	6000	7430	9030	10800	12750				
				38	5420	6760	8230	9860	11660				
				43	4920	6170	7540	9050	10720				
OP-MPLM044	114X4333	VLZ044	30	27	2480	3080	3790	4630	5590	73.1	42.1	1393	1400
				32	2340	2880	3530	4300	5190				
				38	-	-	-	-	-				
				43	-	-	-	-	-				
			50	27	4270	5310	6490	7820	9310	73.9	42.9	2178	2267
				32	3990	4970	6070	7320	8720				
				38	3640	4550	5570	6720	8010				
				43	3340	4180	5140	6210	7410				
			75	27	6290	7790	9460	11320	13360	74.5	43.5	3363	3635
				32	5840	7260	8840	10590	12510				
				38	5270	6590	8060	9680	11450				
				43	4750	6000	7380	8880	10540				
			100	27	8070	9940	11990	14260	16720	75.5	44.5	4771	5297
				32	7480	9240	11170	13290	15600				
				38	6740	8370	10150	12090	14210				
				43	6080	7600	9260	11060	13010				

Electrical code E: Compressor 400V/3/50 Hz, fan 230V/1/50 Hz

Technical data and ordering

Optyma™ Plus INVERTER - MBP

Electrical characteristics - 400 V / 3 Phases / 50 Hz

Unit	MCC compressor [A] 400V/3phase	Max cont. power consumption [kW]	MCC Fan [A] 230V/1 phase	Fan power output [W]	Fan power consumption [W]
OP-MPLM028	8.1	3.98	0.96	1 x 130	1 x 220
OP-MPLM028	9.8	4.94	0.96	1 x 130	1 x 220
OP-MPLM044	12.0	6.33	0.96	1 x 130	1 x 220

Optyma™ Plus INVERTER - MBP

Spare parts

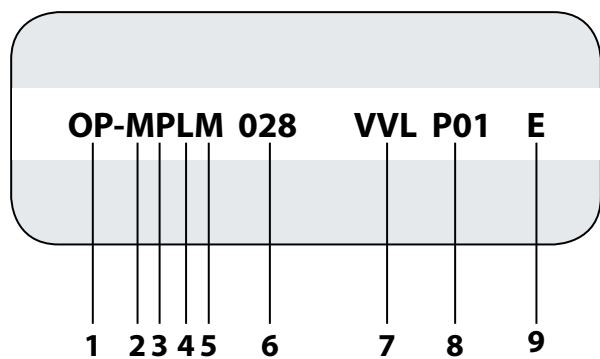
Unit	Compressor	Condenser	Fan assembly	Receiver	Filter	Sight glass	Liquid line valve	Suction line valve	High pressure transmitter	Low pressure transmitter	Suction and ambient temperature	Discharge temperature sensor	Fan grill
OP-MPLM028	120G0069	118U3494	118U3829	118U3476	023Z5045	014F0174	009G7053	009G7054	118U3722	118U3721	084N0003	084N2007	118U3485
OP-MPLM035	120G0070	118U3494	118U3829	118U3476	023Z5045	014F0174	009G7053	009G7054	118U3722	118U3721	084N0003	084N2007	118U3485
OP-MPLM044	120G0071	118U3494	118U3829	118U3476	023Z5045	014F0174	009G7053	009G7054	118U3722	118U3721	084N0003	084N2007	118U3485

Unit	Controller*	Main switch	Compressor contact	Door handle	Crankcase heater	High pressure switch	Low pressure switch	Acoustic hood	Compressor Drive	EMI filter (Drive)	EMI filter (Controller)	Compressor oil	Oil separator
OP-MPLM028	118U3465	118U3852	118U3847	118U3858	120Z5040	118U3718	118U3720	120Z5043	118U3973	118U3972	118U3974	120Z5034	118U3981
OP-MPLM035	118U3465	118U3852	118U3847	118U3858	120Z5040	118U3718	118U3720	120Z5043	118U3973	118U3972	118U3974	120Z5034	118U3981
OP-MPLM044	118U3465	118U3852	118U3847	118U3858	120Z5040	118U3718	118U3720	120Z5043	118U3973	118U3972	118U3974	120Z5034	118U3982

* For service replacement of controller in Optyma™ Plus INVERTER only new version of controller can be used: code number on the controller is 084B8080.

Nomenclature

Designation system for the Optyma™ Plus INVERTER - MBP



Number	Title	Description
1	Product family	Optyma™
2	Application	M = MBP
3	Design	P = Packaged units
4	Refrigerant	L = R404A, R407A, R407F
5	Condenser type	M = Standard with micro channel heat exchanger
6	Displacement	028 = 28 cm³/rev
7	Compressor platform	VVL = variable speed scroll VLZ compressor
8	Version	P01
9	Electrical code	E = Compressor 400 V/3 phase/50 Hz, fan 230 V/1 phase/ 50 Hz

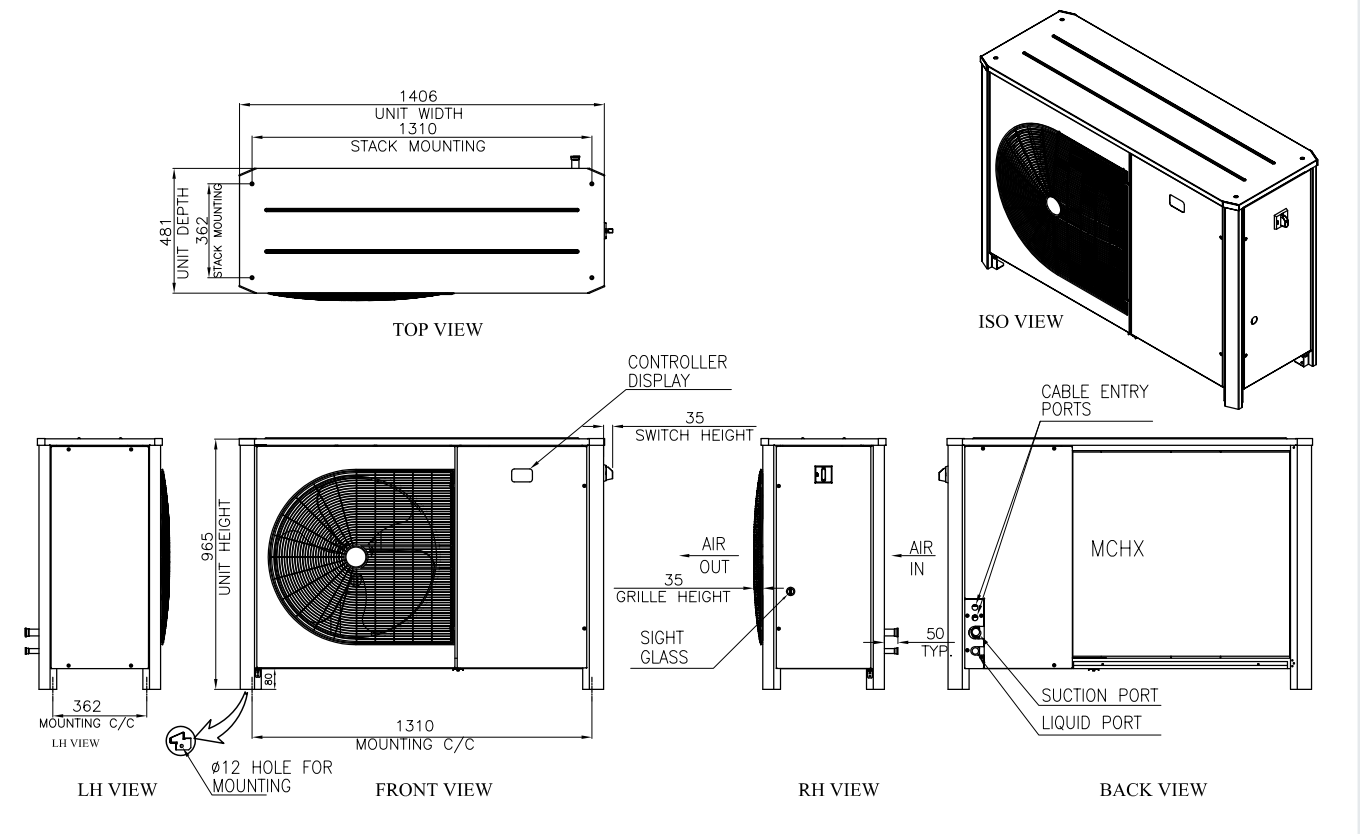
Optyma™ Plus INVERTER - cooling capacity range presentation [kW]



Condition: MBP
 Ambient temperature 32 °C
 Evaporating temperature -10 °C
 Minimum at minimal speed 30Hz and maximum cooling capacity at maximal speed 100Hz

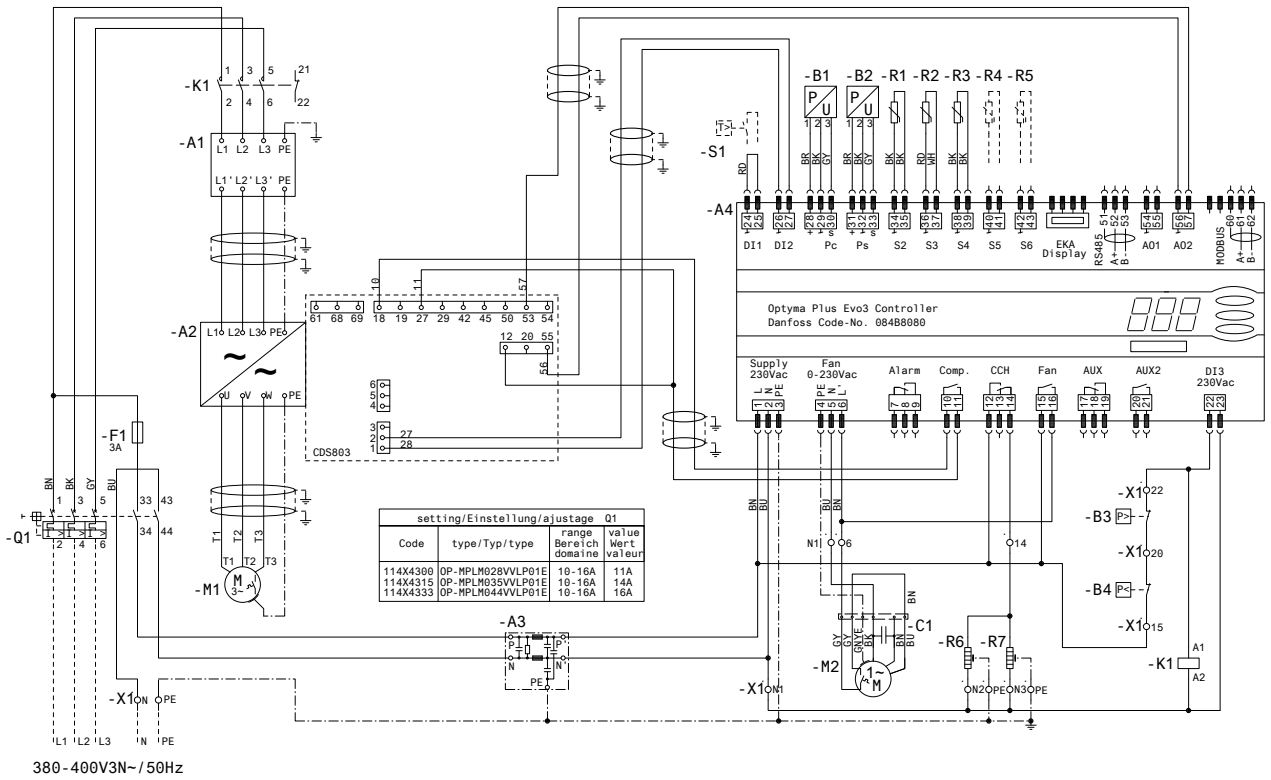
Dimensions

OP-MPLM028-035-044

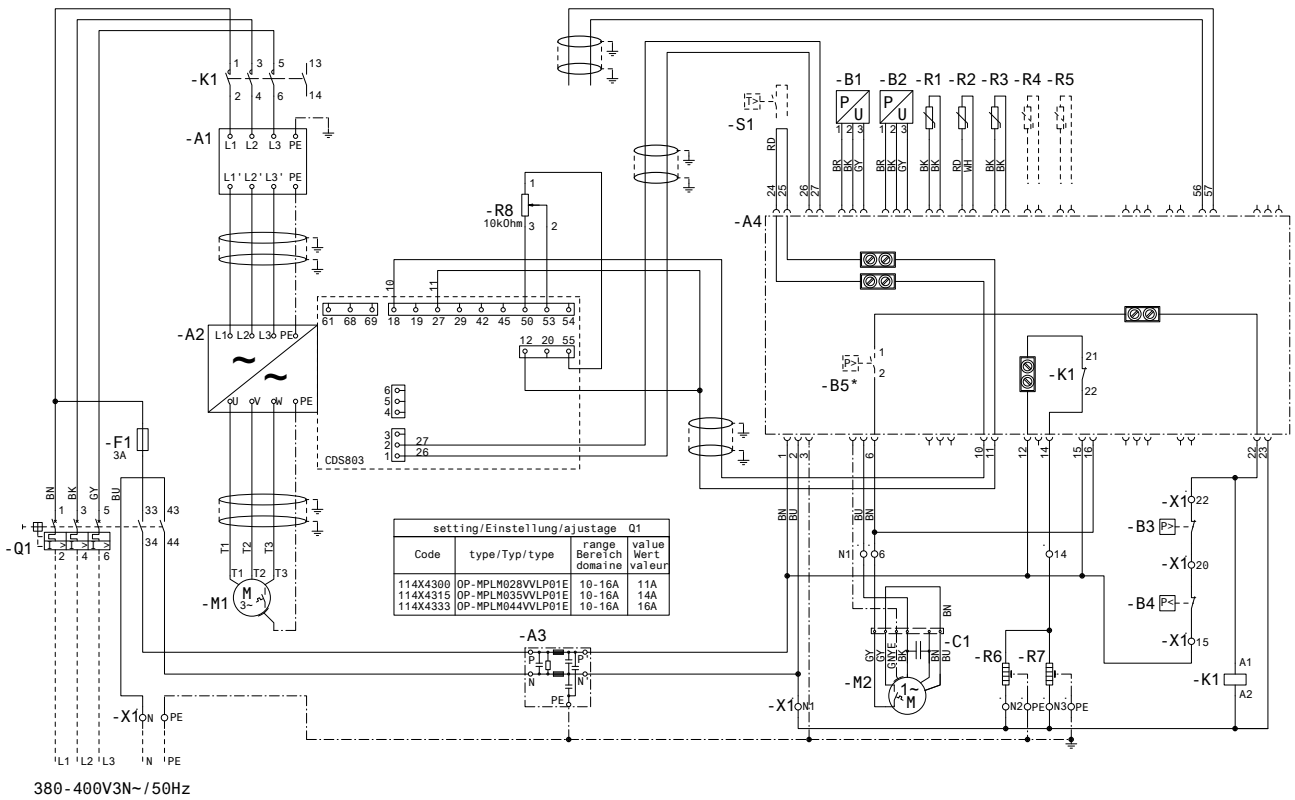


Electrical wiring diagrams

OP-MPLM028-035-044



OP-MPLM028-035-044 - Emergency Wiring



- A1)** EMC/RFI Filter (Compressor)
- A2)** Frequency Converter
- A3)** EMI Filter (Controls)
- A4)** Optyma™ Plus Controller
- B1)** Condensing Pressure Transducer
- B2)** Suction Pressure Transducer
- B3)** High Pressure Switch
- B4)** Low Pressure Switch

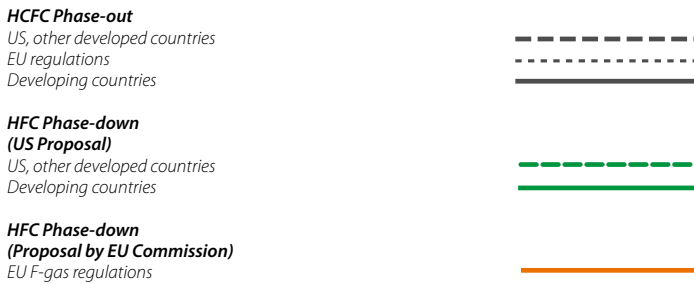
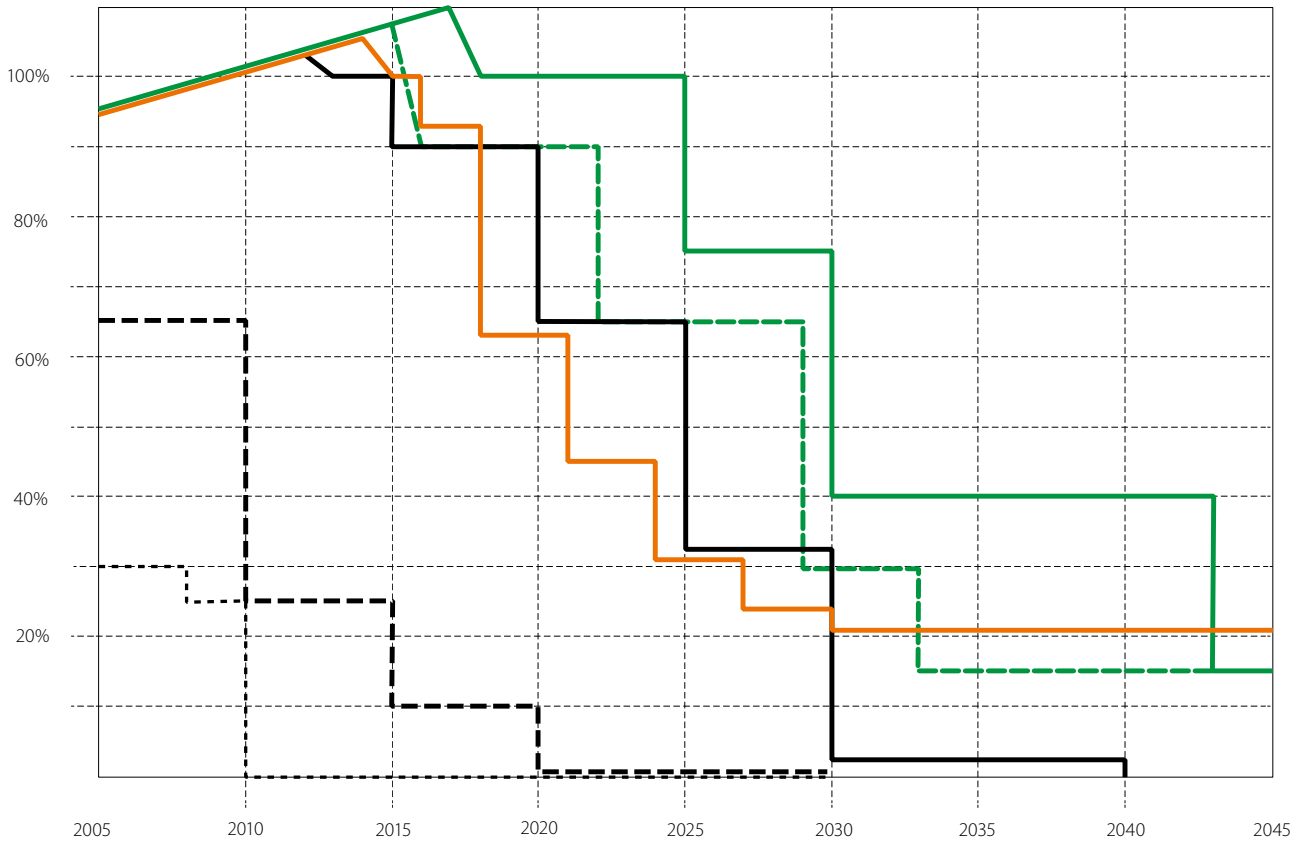
- B5*)** Fan Speed Controller / Pressure Switch
- C1)** Run Capacitor (Fan)
- F1)** Fuse (Control Circuit)
- K1)** Contactor
- M1)** Compressor
- M2)** Fan Motor
- Q1)** Main Switch
- R1)** Ambient Temp. Sensor

- R2)** Discharge Temp. Sensor
- R3)** Suction Temp. Sensor
- R4,R5)** Auxiliary Temp. Sensor (optional)
- R6)** Crankcase Heater
- R7)** Oil Separator Heater
- R8)** Compressor Speed Potentiometer
- S1)** Room Thermostat (optional)
- X1)** Terminal

- Supply)** Supply
- Fan)** Fan
- Alarm)** Alarm
- Comp.)** Compressor
- CCH)** Crankcase Heater
- Aux)** Auxiliary

Refrigerant control schedules

The graph below shows the phase-out of HCFC refrigerants as agreed under the Montreal Protocol and the various proposals for HFC phase-down. Initial slope of HFC proposals are indicative and not part of the proposals.



Perhaps the most effective mechanism of the F-gas regulation will be the GWP-based phase-down of HFC refrigerants. The phase-down will effectively reduce the supply of high-GWP refrigerants to where demand cannot be met. In turn, this will lead to significantly higher prices on HFC refrigerants. The higher the GWP, the higher the price. Although transitional refrigerants such as R407A and R407F are not directly affected by refrigerant bans in the near term, prices will undoubtedly increase and may become prohibitive in most applications with more than a few kg charge.

Overview of refrigerant trends

Refrigerant	Application / Region	Refrigeration										Air Conditioning			
		Domestic – household refrigerators		Mobile – containers, trucks		Light Commercial		Commercial		Industrial		Air Conditioning		Heat pumps	
		50 – 300 W		100 – 10,000 W		150 – 5,000 W		> 5,000 W		> 100,000 W		All		All	
		Today	2020	Today	2020	Today	2020	Today	2020	Today	2020	Today	2020	Today	2020
CO ₂	Europe														
	North America														
	Rest of the world														
NH ₃	Europe														
	North America														
	Rest of the world														
HC	Europe														
	North America														
	Rest of the world														
HFC	Europe														
	North America														
	Rest of the world														
Mildly flammable HFC and HFO	Europe														
	North America														
	Rest of the world														

Main refrigerant
Some use
Limited use and only niche applications
Not applicable or unclear situation



Refrigerant benefits in your application

The refrigeration and air conditioning industry has made tremendous progress over the past two decades in reducing the use of ozone-depleting refrigerants. Seen from a global perspective, the tendency is that the industry is moving more and more toward natural refrigerants where this is technologically feasible. Synthetic refrigerants are still likely to play a large role in the refrigeration and air conditioning industry, but this will be in minimal charge systems and with new low-GWP substances. Parameters such as efficiency, safety, environmental impact, relatively short atmospheric lifetimes, chemical properties and economy all influence the choice of future refrigerant options. Below is a brief overview of the refrigerant benefits in various applications.

CO₂ (R744)

- The low-GWP nature of CO₂ lends itself well to **food retail applications**, where there is a minimal impact in case of leaks and where the thermodynamic properties make it the ideal media for heat recovery
- Transcritical CO₂ cycles reject a large proportion of the cycle heat at high temperatures which makes it suitable for **heat pumps**
- In **industrial refrigeration**, CO₂ provides a means to reduce the charge of Ammonia, increase efficiency and decrease the footprint of freezing equipment
- In **transport refrigeration, light commercial applications and electronics cooling**, CO₂ provides a non-flammable, environmentally benign solution

Ammonia (NH₃)

- Ammonia is one of the most **energy efficient** refrigerants in applications ranging from high to low temperatures. With the increasing focus on energy consumption, ammonia is a safe and sustainable choice for the future
- Ammonia has better **heat transfer properties** than most of chemical refrigerants and therefore plant construction cost will be lower. These properties also benefit the thermodynamic efficiency in the system, hence it reduces the operating costs
- With a GWP and ODP (Ozone Depletion Potential) equal to zero ammonia is a very **environmentally friendly refrigerant**
- In many countries the cost of ammonia (per kg) is considerably lower than the cost of HFCs

Hydrocarbons (R290, R600)

- Provides high energy-efficiency and capacities compared to HFCs
- The flammability limits the use to **small systems and chillers** (e.g. **chillers for food retail systems** or for **air conditioning** for a whole building)
- Allows for very low evaporating temperatures without overheating the compressor when used in **heat pumps** (with HFCs you need to supplement with an electrical heating element for the really cold days)

HFC

- A transitional solution that can be used in retrofitting high-GWP HFC systems. Typically R407A / F replacing R404A

Mildly flammable HFC & HFO

- The low GWP and low flammability makes it suitable for **relatively large systems**
- Especially interesting for **air conditioning** where there is a lack of ultra low-GWP natural alternatives
- Also suitable for **refrigeration** systems where traditional HFC system design can be used with minor modifications (often with a minor performance decrease)

Products for low GWP refrigerants

Danfoss' approval process

Danfoss uses a thorough approval process when releasing products for flammable refrigerants. The major steps includes:

- Ensure compliance with the EU Pressure Equipment Regulation 97 / 23 / EC (PED) for fluid group I.
Attain 3rd party approval if needed
- Evaluate ignition sources for compliance with ATEX zone 2.
Attain 3rd party approval if needed
- Evaluate or test chemical compatibility between elastomers and the specific flammable refrigerants in question
- Update internal documentation to ensure future product changes will take flammability into account
- Update literature, capacity tables and other relevant documentation for Danfoss customers

The approval process is one part of the continuous risk evaluation process that guides our approach to flammable refrigerants.

This process continuously evaluates the legislation, safety standards and the industry's experience with flammable refrigerants. The outcome is a continuously updated internal framework for sales and product design matching the market needs while prioritising safety.

Products for low-GWP refrigerants

Product grouping	Product	Product description	Refrigerants					
			CO ₂	NH ₃	R290, R600	R32	R407A	R407F
Electronic controllers	AK-PC 7XX	Advanced pack controllers	•	•	•	•	•	•
	AK-PC 351 / 5XX	Standard pack controllers		•	•	•	•	•
	AK-CC 550 / 750	Case controller for electronic expansion valves	•	•	•	•	•	•
	AK-CC 250 / 350 / 450	Case controller for thermostatic expansion valves	•	•	•	•	•	•
	EKC 326a	CO ₂ gas pressure controllers	•					
	MCX	Programmable controllers	•	•	•	•	•	•
	EIM 336, EKD 316, EXD 316	Electronic superheat controllers ¹⁾	•		•	•	•	•
	EKC 316A, EKC 312	Electronic superheat controllers ¹⁾	•		•	•	•	
	EKC 313	Cascade injection with CO ₂	•	•	•	•	•	•
	EKC 315a	Superheat controllers	•	•	•	•	•	•
EKC 361	Liquid level controllers	•	•	•	•	•	•	
EKE 347	Temperature controllers	•	•	•	•	•	•	
Compressors	MTZ	Reciprocating compressor for medium temperature refrigeration					•	•
	MLZ	Scroll compressor for medium temperature refrigeration					•	•
	ASL	Scroll compressor for air conditioning ²⁾				•		
	P / T / D / N / SC	AC reciprocating compressor for LBP / MBP refrigeration			•			
	SLV	Variable speed reciprocating compressor for LBP / MBP refrigeration			•			
	BD	AC / DC compressors for mobile cooling			•			
Condensing units	Optyma™	Condensing Units for low and medium refrigeration ²⁾			•		•	•
	Optyma™ Slim Pack	Packaged Condensing Units for low and medium refrigeration ²⁾					•	•
	Optyma™ Plus	Premium packaged Condensing Units for low and medium refrigeration ²⁾					•	•
Electronic expansion valves	AKV	Pulse width modulating expansion valves	46 bar				•	•
	AKVA	Pulse width modulating expansion valves	42 bar	•			•	•
	AKVH	Pulse width modulating expansion valves	90 bar				•	•
	CCM	High pressure standstill capable motorized expansion valves	90 bar					
	CCMT	High pressure standstill capable motorized expansion valves	140 bar					
	ETS	Electronically operated expansion valves					•	•
	ICM	Industrial motorized expansion valves	65 bar	•			•	•
	ICMTS	High pressure industrial motorized expansion valves	140 bar					
Electronic pressure & temperature regulating valves	CCM	Standstill capable electronic backpressure regulators	90 bar					
	CCMT	Standstill capable electronic backpressure regulators	140 bar					
	KVS	Electronic suction modulating valves					•	•
	ICM	Industrial motorized regulating valves	65 bar	•			•	•
	ICMTS	High pressure industrial motorized regulating valves	140 bar					
Sensors & transmitters	AKS 32	1 – 5 / 0 – 10 / 0 – 5 / 1 – 6 V DC, high accuracy	100 bar	•	•	•	•	•
	AKS 32 R	0.5 – 4.5 V DC – 5 V supply, ratiometric, compact	55 bar	•	•	•	•	•
	AKS 33	4 – 20 mA, high accuracy	55 bar	•	•	•	•	•
	AKS 3000	4 – 20 mA, compact	100 bar	•	•	•	•	•
	AKS 11	Temperature sensors, Pt 1000		•	•	•	•	•
	AKS 12	Temperature sensors, Pt 1000		•	•	•	•	•
	AKS 21	Temperature sensors, Pt 1000		•	•	•	•	•
	GD	Gas detecting sensors		•	•	•		
Heat exchangers	BPHE	Brazed Plate heat exchangers		•	•	•	•	•
	MPHE	Micro Plate heat exchangers			•	•	•	•
	MCHE	Micro Channel heat exchangers			•	•		

¹⁾ Parameters for other refrigerants can be entered manually

Refrigerant

Product grouping	Product	Product description	Refrigerants						
			CO ₂	NH ₃	R290, R600	R32	R407A	R407F	
Thermostatic expansion valves	TUB / TCB	Stainless steel thermostatic expansion valves	42 bar				•	•	•
	TUC / TCC	Stainless steel thermostatic expansion valves	42 bar			•	•	•	•
	T2	Small thermostatic expansion valves						•	•
	TD1	Thermostatic expansion valves				•		•	•
	TGE	Large thermostatic expansion valves				•	•	•	•
	TEA	Industrial thermostatic expansion valves							
Solenoid valves	EVR	Allround solenoid valves				•	•	•	•
	EVRA	Solenoid valves	42 bar	•				•	•
	EVRH	High pressure solenoid valves	46 bar						
	EVU	Semi-hermetic solenoid valves	70 bar					•	•
	EVUL	Fully-hermetic solenoid valves	90 bar				•	•	•
	ICLX	Flexline™ solenoid valves	52 bar	•	•	•	•	•	•
Valve stations	ICF	Flexline™ valve stations	52 bar	•				•	•
Mechanical pressure and temperature regulating valves	KVD	Receiver pressure regulators				•		•	•
	KVC	Capacity regulators				•		•	•
	KVL	Crankcase pressure regulators				•		•	•
	KVP	Evaporating pressure regulators				•		•	•
	KVR	Condensing pressure regulators				•		•	•
	CPCE	Hot gas bypass regulating valves				•		•	•
	ICS	Mechanical backpressure regulators	52 bar	•	•	•	•	•	•
	REG-S	Flexline™ regulating valves	52 bar	•		•	•	•	•
Switches	AKS 38	Electro-mechanical float switches	28 bar	•		•	•	•	•
	KP	Pressure switches	46 bar	•	•			•	•
	RT	Pressure switches		•	•			•	•
	MP	Differential pressure switches		•	•			•	•
	RT	Differential pressure switches		•	•			•	•
	CCB	Cartridge pressure controls	165 bar						
Water regulating valves	WVFX	Pressure operated water valves				•		•	•
	WVO	Pressure operated water valves				•		•	•
	WVS	Pressure operated water valves		•				•	•
Filters and driers	DCR	Receiver filter driers	46 bar			•	•	•	•
	DMC	Receiver filter driers					•	•	•
	DCC	Receiver filter driers					•	•	•
	DML	Liquid line filter driers	46 bar			•	•	•	•
	DCL	Liquid line filter driers				•	•	•	•
	DMB	Bi-flow filter driers	46 bar			•	•	•	•
	DCB	Bi-flow filter driers				•	•	•	•
	DAS	Burn-out filter driers					•	•	•
	DMT	Filter driers for transcritical applications	140 bar						
Check valves	FIA	Flexline™ filters	65 bar	•		•	•	•	•
	NRV	Piston check valves	90 bar			•	•	•	•
	NRVA	Piston check valves		•	•	•	•	•	•
	CHV-X	Flexline™ check valves	65 bar	•				•	•
Shut-off valves	SCA-X	Flexline™ check and stop valves	65 bar	•				•	•
	GBC	Shut-off ball valves	90 bar				•	•	•
	BML	Shut-off diaphragm valves				•		•	•
Sight glasses	SVA	Flexline™ stop valves	65 bar	•	•	•	•	•	•
	SG	Sight glasses for low pressures						•	•
	SGP	Sight glasses for high pressures	52 bar			•	•	•	•
	MLI	Sight glasses		•				•	•

Our portfolio is constantly being updated – to see an updated list of our low-GWP products go to www.danfoss.com/lowGWP

Table of contents - Type

A			
ACB cartridge pressure switches	105	AKS 4100	345
ACCCBI	325	AKS 4100	345
ACCCBI	325	AKS 4100	345
AKA 211	54	AKS 4100	345
AK-CC 210	300	AKS 4100	345
AK-CC 210	307	AKS 4100	345
AK-CC 250 / 350 / 450	554	AKS 4100	345
AK-CC 250A	300	AKS 4100	345
AK-CC 250A	309	AKS 4100	345
AK-CC 350	300	AKS 4100	345
AK-CC 450	300	AKS 4100	345
AK-CC 550 / 750	554	AKS 4100	345
AK-CC 550A	300	AKS 4100	345
AK-CC 550A	311	AKS 4100	345
AK-CC 750	300	AKS 4100	345
AK-PC 7XX	554	AKS 4100 / AKS 4100U	346
AK-PC 351	301	AKS 4100 / AKS 4100U HMI	346
AK-PC 351	323	AKS 4100 / AKS 4100U HMI	346
AK-PC 351 / 5XX	554	AKS 4100 / AKS 4100U HMI	346
AK-PC 551	301	AKS 4100 / AKS 4100U HMI	346
AK-PC 551	301	AKS 4100U	345
AK-PC 551	325	AKS 4100U	345
AK-PC 551	325	AKS 4100U	345
AK-PC 551 kit	325	AKS 4100U	345
AK-PC 551 kit	325	AKS 4100U	345
AK-PC 651	301	AKS 4100U	345
AK-PC 772	301	AKS 4100U	345
AK-PC 781	301	AKS 4100U	345
AK-PC 783	301	AKS 4100U	345
AK-RC 101	301	AKS 4100U	345
AK-RC 101	327	AKS 4100U	345
AK-RC 101	327	AKS 4100U	345
AK-RC 103	301	AKS 4100U	345
AK-RC 103	301	AKS 4100U	345
AK-RC 103	301	AKS 4100U	345
AK-RC 103	301	AKS 4100U	345
AK-RC 103	329	AKS 4100U	345
AK-RC 103	329	AKS 4100U	345
AK-RC 103	329	AKS 4100U	345
AK-RC 103	329	AKS 4100U	345
AK-RC 103	329	AKS 4100U	345
AK-RC 103 - three-phase (3 kW)	329	AK-SM 820	331
AK-RC 103 - three-phase (5 kW)	329	AK-SM820	301
AKS 11	313	AK-SM 850	331
AKS 11	554	AK-SM850	301
AKS 12	303	AK-SM 880	331
AKS 12	305	AK-SM880	301
AKS 12	307	AKV	554
AKS 12	309	AKV 10 – 1	57
AKS 12	554	AKV 10 – 1	57
AKS 21	554	AKV 10 – 2	57
AKS 32	554	AKV 10 – 2	57
AKS 32 R	554	AKV 10 – 3	57
AKS 32R	313	AKV 10 – 3	57
AKS 33	313	AKV 10 – 3	57
AKS 33	554	AKV 10 – 4	57
AKS 38	555	AKV 10 – 4	57
AKS 3000	313	AKV 10 – 5	57
AKS 3000	554	AKV 10 – 5	57
AKS 4100	345	AKV 10 – 6	57
AKS 4100	345	AKV 10 – 6	57
AKS 4100	345	AKV 10 – 7	57
AKS 4100	345	AKV 10 – 7	57
AKS 4100	345	AKV 15 – 1	57
AKS 4100	345	AKV 15 – 1	57
AKS 4100	345	AKV 15 – 2	57
		AKV 15 – 2	57
		AKV 15 – 3	57
		AKV 15 – 3	57
		AKV 15 – 4	57
		AKV 15 – 4	57
		AKV 20 – 1	57
		AKV 20 – 1	57
		AKV 20 – 1	57
		AKV 20 – 2	57
		AKV 20 – 2	57
		AKV 20 – 2	57
		AKV 20 – 3	57
		AKV 20 – 3	57
		AKV 20 – 3	57
		AKV 20 – 4	57
		AKV 20 – 4	57
		AKV 20 – 4	57
		AKV 20 – 5	57
		AKV 20 – 5	57
		AKV 20 – 5	57
		AKVA	554
		AKV / EVR EVRH / EVRA EVRAT	85
		AKV / EVR EVRH / EVRA EVRAT / EVRS	85
		AKVH	554
		AKVH 10	61
		AKVH 10 – 0	61
		AKVH 10 – 0	61
		AKVH 10 – 0	63
		AKVH 10 – 0	63
		AKVH 10 – 1	61
		AKVH 10 – 1	61
		AKVH 10 – 1	63
		AKVH 10 – 1	63
		AKVH 10 – 2	61
		AKVH 10 – 2	61
		AKVH 10 – 2	63
		AKVH 10 – 2	63
		AKVH 10 – 3	61
		AKVH 10 – 3	61
		AKVH 10 – 3	63
		AKVH 10 – 3	63
		AKVH 10 – 4	61
		AKVH 10 – 4	61
		AKVH 10 – 4	63
		AKVH 10 – 4	63
		AKVH 10 – 5	61
		AKVH 10 – 5	61
		AKVH 10 – 5	63
		AKVH 10 – 5	63
		AKVH 10 – 6	61
		AKVH 10 – 6	61
		AKVH 10 – 6	63
		AKVH 10 – 6	63
		AKVH / EVRH	85
		AKVH / EVRH	85
		ASL	554
		AST	50
		AST-G	50
		AST-G	54
		AVTA 10	147
		AVTA 10	147
		AVTA 10	147
		AVTA 10	147
		AVTA 15	147
		AVTA 15	147
		AVTA 15	147
		AVTA 15	147

AVTA 15	147	CHV-X 20	269	DAS 309sVV	175
AVTA 15	147	CHV-X 20	273	DAS 417	175
AVTA 15	147	CHV-X 20	273	DAS 417sVV	175
AVTA 20	147	CHV-X 25	273	DAS 419	175
AVTA 20	147	CHV-X 25	273	DAS 419sVV	175
AVTA 20	147	CHV-X 25	269	DAS 607	175
AVTA 20	147	CHV-X 25	273	DAS 607sVV	175
AVTA 20	147	CHV-X 32	269	DAS 609sVV	175
AVTA 20	147	CHV-X 32	274	DCB	555
AVTA 20	147	CHV-X 32	274	DCB 082	192
AVTA 20	147	CHV-X 32	274	DCB 082 / 082s	191
AVTA 25	147	CHV-X 32	274	DCB 082 / 082s	191
AVTA 25	147	CHV-X 40	269	DCB 082s	192
AVTA 25	147	CHV-X 40	274	DCB 083	192
AVTA 25	147	CHV-X 40	274	DCB 083 / 083s	191
AVTA 25	147	CHV-X 40	274	DCB 083 / 083s	191
AVTA 25	147	CHV-X 50	269	DCB 083s	192
AVTA 25	147	CHV-X 50	274	DCB 084	192
AVTA 25	147	CHV-X 50	274	DCB 084 / 084s	191
AVTA 25	147	CHV-X 50	274	DCB 084 / 084s	191
AVTA 25	147	CHV-X 65	269	DCB 084s	192
AVTA 25	147	CHV-X 65	274	DCB 162	191
AVTA 25	147	CHV-X 65	274	DCB 162	191
AVTA 25	147	CHV-X 80	269	DCB 162	192
AVTA 25	147	CHV-X 80	275	DCB 163	192
AVTA 25	147	CHV-X 80	275	DCB 163 / 163s	191
AVTA 25	147	CHV-X 80	275	DCB 163 / 163s	191
AVTA 25	147	CHV-X 100	269	DCB 163s	192
AVTA 25	147	CHV-X 100	275	DCB 164	192
AVTA 25	147	CHV-X 100	275	DCB 164 / 164s	191
AVTA 25	147	CHV-X 100	275	DCB 164 / 164s	191
AVTA 25	147	CHV-X 125	269	DCB 164s	192
AVTA 25	147	CHV-X 125	275	DCB 165	192
AVTA 25	147	CHV-X 125	275	DCB 165 / 165s	191
AVTA 25	147	CHV-X 125	275	DCB 165 / 165s	191
AVTA 25	147	CPCE	555	DCB 165s	192
AVTA 25	147	CPCE 12	141	DCB 303	191
AVTA 25	147	CPCE 15	141	DCB 303	191
AVTA 25	147	CPCE 22	141	DCB 303	192
AVTA 25	147			DCB 304	192
B		D		DCB 304 / 304s	191
BB	84	DAS	555	DCB 304 / 304s	191
BD	554	DAS 083	175	DCB 304s	192
BE	83	DAS 084	175	DCB 305	192
BE	84	DAS 084sVV	175	DCB 305 / 305s	191
BF	83	DAS 084VV	175	DCB 305 / 305s	191
BG	83	DAS 085	175	DCB 305s	192
BJ	85	DAS 085sVV	175	DCB 307	191
BML	555	DAS 086	175	DCB 307s	191
BML 6	231	DAS 086sVV	175	DCB 307s	192
BML 6s	231	DAS 164	175	DCC	555
BML 6s	231	DAS 164sVV	175	DCL	555
BML 10	231	DAS 164VV	175	DCR	555
BML 10s	231	DAS 165	175	DCR 048	181
BML 10s	231	DAS 165sVV	175	DCR 048	181
BML 12	231	DAS 165VV	175	DCR 096	181
BML 12s	231	DAS 166	175	DCR 096	181
BML 12s	231	DAS 166sVV	175	DCR 144	181
BML 15	231	DAS 167	175	DCR 144	181
BML 15s	231	DAS 167sVV	175	DCR 192	181
BML 15s	231	DAS 305	175	DCR 192	181
BML 18	231	DAS 305sVV	175	DCR 300	177
BML 18s	231	DAS 306	175	DCR 300	178
BML 22s	231	DAS 306sVV	175	DCR 300	179
BML 22s	231	DAS 307	175	DCR 300	180
BMT 6	231	DAS 307sVV	175	DCR 400	177
BN	84	DAS 309	175	DCR 400	178
BPHE	554				
BV	84				
BX	85				
C					
CCB	555				
CCM	554				
CCM	554				
CCM 10	50				
CCM 20	50				
CCM 30	50				
CCM 40	50				
CCMT	554				
CCMT	554				
CCMT 2	54				
CCMT 4	54				
CCMT 8	54				
CHV-X	555				
CHV-X 15	269				
CHV-X 15	273				
CHV-X 15	273				
CHV-X 15	273				
CHV-X 20	273				

Table of contents - Type

DCR 400	179	DCR 1927	181	DCR 09617s	184
DCR 400	180	DCR 1927	182	DCR 09621	181
DCR 0485	177	DCR 1929	181	DCR 09621	182
DCR 0485	178	DCR 1929	182	DCR 09621s	184
DCR 0485	179	DCR 04811	177	DCR 14411	177
DCR 0485	180	DCR 04811	178	DCR 14411	178
DCR 0485	181	DCR 04811	179	DCR 14411	179
DCR 0485	182	DCR 04811	180	DCR 14411	180
DCR 0485	183	DCR 04811	181	DCR 14411	181
DCR 0485s	184	DCR 04811	182	DCR 14411	182
DCR 0487	177	DCR 04811	183	DCR 14411	183
DCR 0487	178	DCR 04811s	184	DCR 14411s	184
DCR 0487	179	DCR 04813	177	DCR 14411s	184
DCR 0487	180	DCR 04813	178	DCR 14413	177
DCR 0487	181	DCR 04813	179	DCR 14413	178
DCR 0487	182	DCR 04813	180	DCR 14413	179
DCR 0487	183	DCR 04813	181	DCR 14413	180
DCR 0487	183	DCR 04813	182	DCR 14413	181
DCR 0487s	184	DCR 04813	183	DCR 14413	182
DCR 0487s	184	DCR 04813	183	DCR 14413	183
DCR 0489	177	DCR 04813s	184	DCR 14413	183
DCR 0489	178	DCR 04813s	184	DCR 14413s	184
DCR 0489	179	DCR 04813s	184	DCR 14413s	184
DCR 0489	180	DCR 04817	177	DCR 14413s	184
DCR 0489	181	DCR 04817	178	DCR 14417	177
DCR 0489	182	DCR 04817	179	DCR 14417	178
DCR 0489	183	DCR 04817	180	DCR 14417	179
DCR 0489	183	DCR 04817	181	DCR 14417	180
DCR 0489s	184	DCR 04817	182	DCR 14417	181
DCR 0489s	184	DCR 04817	183	DCR 14417	182
DCR 0489s	184	DCR 04817s	184	DCR 14417	183
DCR 0965	181	DCR 04821	177	DCR 14417s	184
DCR 0965	182	DCR 04821	178	DCR 14421	181
DCR 0967	177	DCR 04821	179	DCR 14421	182
DCR 0967	178	DCR 04821	180	DCR 19211	177
DCR 0967	179	DCR 04821	181	DCR 19211	178
DCR 0967	180	DCR 04821	182	DCR 19211	179
DCR 0967	181	DCR 04821	183	DCR 19211	180
DCR 0967	182	DCR 04821s	184	DCR 19211	181
DCR 0967	183	DCR 09611	177	DCR 19211	182
DCR 0967s	184	DCR 09611	178	DCR 19211	183
DCR 0969	177	DCR 09611	179	DCR 19211s	184
DCR 0969	178	DCR 09611	180	DCR 19213	177
DCR 0969	179	DCR 09611	181	DCR 19213	178
DCR 0969	180	DCR 09611	182	DCR 19213	179
DCR 0969	181	DCR 09611	183	DCR 19213	180
DCR 0969	182	DCR 09611	183	DCR 19213	181
DCR 0969	183	DCR 09611s	184	DCR 19213	182
DCR 0969	183	DCR 09613	177	DCR 19213	183
DCR 0969s	184	DCR 09613	178	DCR 19213	183
DCR 0969s	184	DCR 09613	179	DCR 19213s	184
DCR 0969s	184	DCR 09613	180	DCR 19213s	184
DCR 1445	181	DCR 09613	181	DCR 19213s	184
DCR 1445	182	DCR 09613	182	DCR 19217	177
DCR 1447	181	DCR 09613	183	DCR 19217	178
DCR 1447	182	DCR 09613	183	DCR 19217	179
DCR 1449	177	DCR 09613s	184	DCR 19217	180
DCR 1449	178	DCR 09613s	184	DCR 19217	181
DCR 1449	179	DCR 09613s	184	DCR 19217	182
DCR 1449	180	DCR 09617	177	DCR 19217	183
DCR 1449	181	DCR 09617	178	DCR 19217s	184
DCR 1449	182	DCR 09617	179	DCR 19221	177
DCR 1449	183	DCR 09617	180	DCR 19221	178
DCR 1449	183	DCR 09617	181	DCR 19221	179
DCR 1449s	184	DCR 09617	182	DCR 19221	180
DCR 1925	181	DCR 09617	183	DCR 19221	181
DCR 1925	182	DCR 09617s	184	DCR 19221	182

DCR 19221	183	DML 032 / 032s	168	DML 165s	170
DGS-IR-CO2	341	DML 032s	170	DML 166	169
DGS-IR-CO2	341	DML 033	169	DML 166 / 166s	167
DGS-IR-CO2	341	DML 033 / 033s	167	DML 166 / 166s	168
DGS-IR-CO2-FS	341	DML 033 / 033s	168	DML 166s	170
DGS-IR-CO2-FS	341	DML 033s	170	DML 167s	167
DGS-IR-CO2-FS	341	DML 034s	167	DML 167s	168
DGS-SC	341	DML 034s	168	DML 167s	170
DGS-SC	341	DML 034s	170	DML 303	169
DGS-SC	341	DML 052	169	DML 303 / 303s	167
DGS-SC	341	DML 052.5s	167	DML 303 / 303s	168
DGS-SC	341	DML 052.5s	168	DML 303s	170
DGS-SC	341	DML 052 / 052s	167	DML 304	169
DGS-SC	341	DML 052 / 052s	168	DML 304 / 304s	167
DGS-SC	341	DML 052s	170	DML 304 / 304s	168
DMB	555	DML 053	169	DML 304s	170
DMB 082	188	DML 053 / 053s	167	DML 305	169
DMB 082 / 082s	187	DML 053 / 053s	168	DML 305 / 305s	167
DMB 082 / 082s	187	DML 053s	170	DML 305 / 305s	168
DMB 082s	188	DML 054s	167	DML 305s	170
DMB 083	188	DML 054s	168	DML 306	169
DMB 083 / 083s	187	DML 054s	170	DML 306 / 306s	167
DMB 083 / 083s	187	DML 055s	167	DML 306 / 306s	168
DMB 083s	188	DML 055s	168	DML 306s	170
DMB 084	188	DML 055s	170	DML 307s	167
DMB 084 / 084s	187	DML 082	169	DML 307s	168
DMB 084 / 084s	187	DML 082.5s	167	DML 307s	170
DMB 084s	188	DML 082.5s	168	DML 309s	167
DMB 162	187	DML 082.5s	170	DML 309s	168
DMB 162	187	DML 082 / 082s	167	DML 309s	170
DMB 163	188	DML 082 / 082s	168	DML 385	169
DMB 163 / 163s	187	DML 082s	170	DML 413	167
DMB 163 / 163s	187	DML 083	169	DML 413	168
DMB 163s	188	DML083	530	DML 413	169
DMB 164	188	DML083	532	DML 414	169
DMB 164 / 164s	187	DML 083 / 083s	167	DML 414 / 414s	167
DMB 164 / 164s	187	DML 083 / 083s	168	DML 414 / 414s	168
DMB 164s	188	DML 083s	170	DML 414s	170
DMB 165	188	DML 084	169	DML 415	169
DMB 165 / 165s	187	DML084	530	DML 415 / 415s	168
DMB 165 / 165s	187	DML084	532	DML 415 / 415S	167
DMB 165s	188	DML 084 / 084s	167	DML 415s	170
DMB 303	187	DML 084 / 084s	168	DML 416	169
DMB 303	187	DML 084s	170	DML 416s	170
DMB 303	188	DML 085	169	DML 417s	167
DMB 304	188	DML 085 / 085s	167	DML 417s	168
DMB 304 / 304s	187	DML 085 / 085s	168	DML 417s	170
DMB 304 / 304s	187	DML 085s	170	DML 419s	167
DMB 304s	188	DML 162	169	DML 419s	168
DMB 305	188	DML 162.5s	167	DML 419s	170
DMB 305 / 305s	187	DML 162.5s	168	DML 604s	167
DMB 305 / 305s	187	DML 162 / 162s	167	DML 604s	168
DMB 305s	188	DML 162 / 162s	168	DML 604s	170
DMB 307s	187	DML 162s	170	DML 607s	167
DMB 307s	187	DML 163	169	DML 607s	168
DMB 307s	188	DML 163 / 163s	167	DML 607s	170
DMC	555	DML 163 / 163s	168	DML 609s	167
DML	555	DML 163s	170	DML 609s	168
DML 1.52 s	167	DML 164	169	DML 609s	170
DML 1.52s	168	DML164	530	DML 757s	167
DML 1.52s	170	DML164	532	DML 757s	168
DML 1.52x2 / 2s	170	DML 164 / 164s	167	DML 757s	170
DML 032	169	DML 164 / 164s	168	DML 759s	167
DML 032.5s	167	DML 164s	170	DML 759s	168
DML 032.5s	168	DML 165	169	DML 759s	170
DML 032.5s	170	DML 165 / 165s	167	DMT	555
DML 032 / 032s	167	DML 165 / 165s	168	DMT 082	173

Table of contents - Type

DMT 082 / 082s	173	EKC 302D	300	EV225B	85
DMT 082s	173	EKC 302D	305	EV225B	85
DMT 083	173	EKC 312	300	EV250B	85
DMT 083 / 083s	173	EKC 313	554	EV250B	85
DMT 083s	173	EKC 315a	554	EVM (NC)	83
DMT 084s	173	EKC 315A	300	EVM (NC)	83
DMT 084s	173	EKC 315A	313	EVM (NC)	84
DMT 133	173	EKC 315A	313	EVM (NC)	84
DMT 133 / 133s	173	EKC 315A	313	EVM (NC / NO)	83
DMT 133 NPT	173	EKC 316A	300	EVM (NC / NO)	83
DMT 133s	173	EKC 316A	315	EVM (NC / NO)	84
DMT 134s	173	EKC 316A, EKC 312	554	EVR	555
DMT 134s	173	EKC 326a	554	EVR 2	65
DSV 1	285	EKC 361	554	EVR 2	66
DSV 1	285	EKC 368	300	EVR 2	66
DSV 2	285	EKD 316	54	EVR 2	66
DSV 2	285	EKD 316	300	EVR 2	67
DSV 2	285	EKD 316	317	EVR 2	68
DSV 2	285	EKE 347	300	EVR 2	70
DSV 2	285	EKE 347	321	EVR 2	71
DSV 2	285	EKE 347	554	EVR 2	71
DSV 2	285	EKS 111	303	EVR 2	71
DSV 2	285	EKS 111	305	EVR 2	72
		EKS 111	307	EVR 2 – EVR 15 (NC)	83
E		EKS 111	309	EVR 2 – EVR 40 (NC)	83
EIM 336, EKD 316, EXD 316	554	EKS 211	303	EVR 2 – EVR 40 (NC)	83
EKA 163A	307	EKS 211	305	EVR 2 – EVR 40 (NC)	84
EKA 163A	309	EKS 211	307	EVR 2 – EVR 40 (NC)	84
EKA 163A	311	EKS 221	303	EVR 2 – EVR 40 (NC)	84
EKA 163B	311	ERC 211	300	EVR 2 – EVR 40 (NC)	84
EKA 164A	54	ERC 211	300	EVR 3	65
EKA 164A	311	ERC 213	300	EVR 3	66
EKA 164A	317	ERC 213	300	EVR 3	66
EKA 164A	319	ERC 214	300	EVR 3	66
EKA 164B	311	ERC 214	300	EVR 3	67
EKA 174	313	ETS	554	EVR 3	68
EKA 174	315	ETS 6 – 10	43	EVR 3	70
EKA 175	305	ETS 6 – 10	43	EVR 3	71
EKA 175	311	ETS 6 – 14	43	EVR 3	71
EKA 175	313	ETS 6 – 14	43	EVR 3	71
EKA 175	315	ETS 6 – 14	43	EVR 3	71
EKA 176	311	ETS 6 – 18	43	EVR 3	72
EKA 178A	303	ETS 6 – 18	43	EVR 3	72
EKA 178A	307	ETS 6 – 25	43	EVR 3	72
EKA 178B	305	ETS 6 – 25	43	EVR 3 – EVR 40	83
EKA 178B	311	ETS 6 – 32	43	EVR 4	70
EKA 179A	303	ETS 6 – 32	43	EVR 4	71
EKA 179A	307	ETS 6 – 40	43	EVR 4	71
EKA 181C	303	ETS 6 – 40	43	EVR 4	71
EKA 181C	307	ETS 6 Coil	43	EVR 4	72
EKA 181C	309	ETS 12.5	46	EVR 6	65
EKA 182A	303	ETS 12.5	46	EVR 6	66
EKA 182A	307	ETS 12.5	47	EVR 6	66
EKA 182A	309	ETS 25	46	EVR 6	66
EKA 183A	303	ETS 25	46	EVR 6	67
EKA 183A	305	ETS 25	47	EVR 6	67
EKC 202A	300	ETS 50	46	EVR 6	68
EKC 202A	303	ETS 50	47	EVR 6	68
EKC 202B	300	ETS 100	46	EVR 6	70
EKC 202B	303	ETS 100	47	EVR 6	71
EKC 202C	300	ETS 250	46	EVR 6	71
EKC 202C	303	ETS 400	46	EVR 6	71
EKC 202C-MS	300	EV210B	85	EVR 6	72
EKC 202C-MS	303	EV210B	85	EVR 6	72
EKC 302A	300	EV215B	85	EVR 6	73
EKC 302A	305	EV215B	85	EVR 6 – EVR 15 (NO)	83
EKC 302B	300	EV220B 6-50	85	EVR 6 – EVR 22 (NO)	84
EKC 302B	305	EV220B 6-50	85	EVR 6 – EVR 22 (NO)	83

EVR 6 – EVR 22 (NO)	83	EVR 22	66	EVRA 32	77
EVR 6 – EVR 22 (NO)	84	EVR 22	66	EVRA 32	78
EVR 6 – EVR 22 (NO)	84	EVR 22	66	EVRA 40	77
EVR 6 – EVR 22 (NO)	84	EVR 22	68	EVRA 40	78
EVR 6 NO	65	EVR 22	68	EVRA / EVRAT	84
EVR 6 NO	70	EVR 22	70	EVRAT	83
EVR 8	70	EVR 22	71	EVRAT	83
EVR 8	71	EVR 22	71	EVRAT	83
EVR 8	71	EVR 22	71	EVRAT	84
EVR 8	71	EVR 22	71	EVRAT	84
EVR 8	71	EVR 22	72	EVRAT	84
EVR 8	72	EVR 22 NO	65	EVRAT 10	77
EVR 10	65	EVR 25	66	EVRAT 10	78
EVR 10	66	EVR 25	66	EVRAT 10 / EVRAT 15	78
EVR 10	66	EVR 25	66	EVRAT 10 – EVRAT 15 (NC)	83
EVR 10	66	EVR 25	68	EVRAT 15	77
EVR 10	67	EVR 25	70	EVRAT 15	78
EVR 10	67	EVR 25	71	EVRAT 20	77
EVR 10	68	EVR 25	71	EVRAT 20	78
EVR 10	68	EVR 25	71	EVRAT 20	83
EVR 10	70	EVR 25	73	EVRC	83
EVR 10	71	EVR 25 2)	65	EVRC	83
EVR 10	71	EVR 25 – EVR 40 (NC/NO)	83	EVRC	83
EVR 10	71	EVR 32	66	EVRC	84
EVR 10	72	EVR 32	66	EVRC	84
EVR 10	73	EVR 32	66	EVRC	84
EVR 10 NO	65	EVR 32	68	EVRC 10	67
EVR 10 NO	70	EVR 32	70	EVRC 10	69
EVR 15	65	EVR 32	71	EVRC 10 – EVRC 15	83
EVR 15	66	EVR 32	71	EVRC 15	67
EVR 15	66	EVR 32	71	EVRC 15	69
EVR 15	66	EVR 32	71	EVRC 15	69
EVR 15	66	EVR 32	73	EVRC 20	67
EVR 15	67	EVR 32 2)	65	EVRC 20	69
EVR 15	68	EVR 40	66	EVRC 20	83
EVR 15	68	EVR 40	66	EVRC / EVRA / EVRAT / EVRS / EVRST	84
EVR 15	69	EVR 40	66	EVRH	555
EVR 15	69	EVR 40	68	EVRH 4 – EVR 40	84
EVR 15	70	EVR 40	70	EVRH 10	67
EVR 15	71	EVR 40	71	EVRH 10	69
EVR 15	71	EVR 40	71	EVRH 10 – EVRH 40	83
EVR 15	71	EVR 40	71	EVRH 10 – EVRH 40	83
EVR 15	72	EVR 40	73	EVRH 10 – EVRH 40	84
EVR 15	73	EVR 40 2)	65	EVRH 10 – EVRH 40	84
EVR 15 NO	65	EVRA	83	EVRH 15	67
EVR 15 NO	70	EVRA	83	EVRH 15	69
EVR 18	70	EVRA	83	EVRH 20	67
EVR 18	71	EVRA	84	EVRH 20	69
EVR 18	71	EVRA	84	EVRH 25	67
EVR 18	71	EVRA	555	EVRH 25	69
EVR 18	72	EVRA 3	77	EVRH 32	67
EVR 20	66	EVRA 3	77	EVRH 32	69
EVR 20	66	EVRA 3	78	EVRH 40	67
EVR 20	66	EVRA 3 / EVRA 10 / EVRA 15	78	EVRH 40	69
EVR 20	68	EVRA 3 – EVRA 15 (NC)	83	EVRS 3	75
EVR 20	68	EVRA 10	77	EVRS 3	75
EVR 20	69	EVRA 10	77	EVRS 3	75
EVR 20	69	EVRA 10	78	EVRS 3	75
EVR 20	70	EVRA 15	77	EVRS 3	75
EVR 20	70	EVRA 15	77	EVRS 10	75
EVR 20	71	EVRA 15	78	EVRS 10	75
EVR 20	71	EVRA 20	77	EVRS 15	75
EVR 20	71	EVRA 20	77	EVRS 15	75
EVR 20	72	EVRA 20	78	EVRS 20	75
EVR 20 – EVR 22 (NC / NO)	83	EVRA 20	83	EVRS 20	75
EVR 20 NO	65	EVRA 20 / EVRA 25 / EVRAT 20	78	EVRS / EVRST	83
EVR 20 with AC coil	65	EVRA 25	77	EVRS / EVRST	83
EVR 20 with DC coil	65	EVRA 25	78	EVRS / EVRST	83
EVR 22	65	EVRA 25 – EVRA 40 (NC)	83	EVRS / EVRST	84

Table of contents - Type

EVRS / EVRST	84	FIA 80	225	GBC 54s	227
EVRS / EVRST	84	FIA 80 angleway	221	GBC 54s	227
EVRS / EVRST 3 – EVRS 15	83	FIA 80 angleway	225	GBC 54s	228
EVRS / EVRST 10	75	FIA 80 straightway	221	GBC 67s	227
EVRS / EVRST 10	75	FIA 80 straightway	225	GBC 67s	227
EVRS / EVRST 15	75	FIA 100	222	GBC 67s	228
EVRS / EVRST 15	75	FIA 100	222	GBC 67s RP	227
EVRS / EVRST 20	75	FIA 100	225	GBC 67s RP	227
EVRS / EVRST 20	75	FIA 100 angleway	221	GBC 79s	227
EVRST 10	75	FIA 100 angleway	225	GBC 79s	227
EVRST 10	75	FIA 100 straightway	221	GBC 79s	228
EVRST 15	75	FIA 100 straightway	225	GBC 79s	228
EVRST 15	75	FIA 125	222	GBC 79s RP	227
EVRST 20	75	FIA 125	222	GBC 79s RP	227
EVRST 20	75	FIA 125	225	GD	554
EVRST 20	83	FIA 125 angleway	221	GDA CT 30000	335
EVU	555	FIA 125 angleway	225	GDA CT 30000	335
EVUL	555	FIA 125 straightway	221	GDA CT 30000	335
EXD 316	319	FIA 125 straightway	225	GDA CT 30000	336
		FIA 150	222	GDA CT 30000	336
		FIA 150	222	GDA CT 30000	336
F		FIA 150 angleway	221	GDA CT 30000	337
FIA	555	FIA 150 straightway	221	GDA CT 30000	337
FIA 15	223	FIA 200	222	GDA CT 30000	338
FIA 15 – 20	222	FIA 200	222	GDA CT 30000	338
FIA 15 – 20	222	FIA 200 angleway	221	GDA EC 100	335
FIA 15 angleway	221	FIA 200 straightway	221	GDA EC 100	335
FIA 15 angleway	223			GDA EC 100	335
FIA 15 straightway	221	G		GDA EC 100	335
FIA 15 straightway	223	GBC	555	GDA EC 100	336
FIA 20	223	GBC 6s	227	GDA EC 100	336
FIA 20 angleway	221	GBC 6s	227	GDA EC 100	336
FIA 20 angleway	223	GBC 6s	227	GDA EC 100	337
FIA 20 straightway	221	GBC 6s	227	GDA EC 100	337
FIA 20 straightway	223	GBC 10s	227	GDA EC 100	338
FIA 25	223	GBC 10s	227	GDA EC 100	338
FIA 25 – 40	222	GBC 10s	227	GDA EC 100	338
FIA 25 – 40	222	GBC 10s	227	GDA EC 100	338
FIA 25 angleway	221	GBC 12s	227	GDA EC 300	335
FIA 25 angleway	223	GBC 12s	227	GDA EC 300	335
FIA 25 straightway	221	GBC 12s	227	GDA EC 300	335
FIA 25 straightway	223	GBC 12s	227	GDA EC 300	336
FIA 32	224	GBC 16s	227	GDA EC 300	336
FIA 32 angleway	221	GBC 16s	227	GDA EC 300	337
FIA 32 angleway	224	GBC 18s	227	GDA EC 300	337
FIA 32 straightway	221	GBC 18s	227	GDA EC 300	338
FIA 32 straightway	224	GBC 18s	227	GDA EC 300	338
FIA 40	224	GBC 18s	227	GDA EC 1000	335
FIA 40 angleway	221	GBC 22s	227	GDA EC 1000	335
FIA 40 angleway	224	GBC 22s	227	GDA EC 1000	335
FIA 40 straightway	221	GBC 22s	228	GDA EC 1000	335
FIA 40 straightway	224	GBC 28s	227	GDA EC 1000	336
FIA 50	222	GBC 28s	227	GDA EC 1000	336
FIA 50	222	GBC 28s	227	GDA EC 1000	336
FIA 50	224	GBC 28s	227	GDA EC 1000	337
FIA 50 angleway	221	GBC 28s	228	GDA EC 1000	337
FIA 50 angleway	224	GBC 28s	228	GDA EC 1000	338
FIA 50 straightway	221	GBC 35s	227	GDA EC 1000	338
FIA 50 straightway	224	GBC 35s	227	GDA EC 1000	338
FIA 65	222	GBC 35s	228	GDA EC 1000	338
FIA 65	222	GBC 35s	228	GDA EC 1000	338
FIA 65	224	GBC 35s	228	GDA SC 1000	335
FIA 65 angleway	221	GBC 42s	227	GDA SC 1000	335
FIA 65 angleway	224	GBC 42s	227	GDA SC 1000	335
FIA 65 straightway	221	GBC 42s	227	GDA SC 1000	336
FIA 65 straightway	224	GBC 42s	227	GDA SC 1000	336
FIA 80	222	GBC 42s	228	GDA SC 1000	336
FIA 80	222	GBC 42s	228	GDA SC 1000	337

GDA SC 1000	337	GDHF SC 1000	336	HCM120T4	392
GDA SC 1000	338	GDHF SC 1000	336	HCM120T4	403
GDA SC 1000	338	GDHF SC 1000	336	HCM120T4	404
GDA SC 10000	335	GDHF SC 1000	337	HCP094	395
GDA SC 10000	335	GDHF SC 1000	337	HCP094	396
GDA SC 10000	336	GDHF SC 1000	338	HCP094T4	391
GDA SC 10000	336	GDHF SC 1000	338	HCP094T4	392
GDA SC 10000	336	GDHF SC 1000	338	HCP094T4	401
GDA SC 10000	336	GDHF SC 1000	338	HCP094T4	402
GDA SC 10000	337	GDH SC 5000	335	HCP109	395
GDA SC 10000	337	GDH SC 5000	335	HCP109	396
GDA SC 10000	338	GDH SC 5000	336	HCP109T4	391
GDA SC 10000	338	GDH SC 5000	336	HCP109T4	401
GDA SC 10000	338	GDH SC 5000	338	HCP120	395
GDA SC 10000	338	GDH SC 5000	338	HCP120	396
GDA SC 10000	338	GDH SC 5000	338	HCP120T4	391
GDC IR 10000	335	H		HCP120T4	392
GDC IR 10000	335	H CJ090	393	HCP120T4	401
GDC IR 10000	336	H CJ090	394	HCP120T4	402
GDC IR 10000	336	H CJ090T4	391	HHP015	409
GDC IR 10000	336	H CJ090T4	392	HHP015T4	409
GDC IR 10000	336	H CJ090T4	399	HHP015T4LP6	409
GDC IR 10000	337	H CJ090T4	400	HHP015T5LP6	409
GDC IR 10000	337	H CJ091	393	HHP019	409
GDC IR 10000	338	H CJ091	394	HHP019T4	409
GDC IR 10000	338	H CJ091T4	391	HHP019T4LP6	409
GDC IR 20000	335	H CJ091T4	392	HHP019T5LP6	409
GDC IR 20000	335	H CJ091T4	399	HHP021	409
GDC IR 20000	336	H CJ091T4	400	HHP021T4	409
GDC IR 20000	336	H CJ105	393	HHP021T4LP6	409
GDC IR 20000	336	H CJ105	394	HHP021T5LP6	409
GDC IR 20000	336	H CJ105T4	391	HHP026	409
GDC IR 20000	337	H CJ105T4	392	HHP026T4	409
GDC IR 20000	337	H CJ105T4	399	HHP026T4LP6	409
GDC IR 40000	335	H CJ105T4	400	HHP026T5LP6	409
GDC IR 40000	335	H CJ106	393	HHP030	409
GDC IR 40000	336	H CJ106	394	HHP030T4	409
GDC IR 40000	336	H CJ106T4	391	HHP030T4LC6	409
GDC IR 40000	336	H CJ106T4	392	HHP030T5LC6	409
GDC IR 40000	337	H CJ106T4	399	HHP038	409
GDC IR 40000	337	H CJ106T4	400	HHP038T4	409
GDE EC 500	338	H CJ106T4	400	HHP038T4LC6	409
GDHC SC 1000	335	H CJ120	393	HHP038T5LC6	409
GDHC SC 1000	335	H CJ120	394	HHP045	409
GDHC SC 1000	335	H CJ120T4	391	HHP045T4	409
GDHC SC 1000	336	H CJ120T4	392	HHP045T4LC6	409
GDHC SC 1000	336	H CJ120T4	399	HLH061	393
GDHC SC 1000	336	H CJ120T4	400	HLH061	394
GDHC SC 1000	337	H CJ121	393	HLH061T4	391
GDHC SC 1000	337	H CJ121	394	HLH061T4	392
GDHC SC 1000	338	H CJ121T4	391	HLH061T4	399
GDHC SC 1000	338	H CJ121T4	392	HLH061T4	400
GDHC SC 1000	338	H CJ121T4	399	HLH068	393
GDHC SC 1000	338	H CJ121T4	400	HLH068	394
GDH CT 5000	338	H CM094	397	HLH068T4	391
GDH CT 5000	338	H CM094	398	HLH068T4	392
GDHF-R3 SC 1000	335	H CM094T4	391	HLH068T4	399
GDHF-R3 SC 1000	335	H CM094T4	392	HLH068T4	400
GDHF-R3 SC 1000	336	H CM094T4	403	HLJ072	393
GDHF-R3 SC 1000	336	H CM094T4	404	HLJ072	394
GDHF-R3 SC 1000	336	H CM109	397	HLJ072T4	391
GDHF-R3 SC 1000	337	H CM109	398	HLJ072T4	392
GDHF-R3 SC 1000	337	H CM109T4	391	HLJ072T4	399
GDHF-R3 SC 1000	338	H CM109T4	392	HLJ072T4	400
GDHF-R3 SC 1000	338	H CM109T4	403	HLJ075	393
GDHF-R3 SC 1000	338	H CM109T4	404	HLJ075	394
GDHF-R3 SC 1000	338	H CM109T4	404	HLJ075T4	391
GDHF SC 1000	335	H CM120	397		
GDHF SC 1000	335	H CM120	398		
GDHF SC 1000	335	H CM120T4	391		

Table of contents - Type

HLJ075T4	392	HRH029U4	391	HRH049	394
HLJ075T4	399	HRH029U4	392	HRH049U4	391
HLJ075T4	400	HRH029U4	399	HRH049U4	392
HLJ083	393	HRH029U4	400	HRH049U4	399
HLJ083	394	HRH031	393	HRH049U4	400
HLJ083T4	391	HRH031	394	HRH050	393
HLJ083T4	392	HRH031U4	391	HRH050	394
HLJ083T4	399	HRH031U4	392	HRH050U4	391
HLJ083T4	400	HRH031U4	399	HRH050U4	392
HLM068	397	HRH031U4	400	HRH050U4	399
HLM068	398	HRH032	393	HRH050U4	400
HLM068T4	391	HRH032	394	HRH051	393
HLM068T4	392	HRH032U4	391	HRH051	394
HLM068T4	403	HRH032U4	392	HRH051U4	391
HLM068T4	404	HRH032U4	399	HRH051U4	392
HLM072	397	HRH032U4	400	HRH051U4	399
HLM072	398	HRH034	393	HRH051U4	400
HLM072T4	391	HRH034	394	HRH054	393
HLM072T4	392	HRH034U4	391	HRH054	394
HLM072T4	403	HRH034U4	392	HRH054U4	391
HLM072T4	404	HRH034U4	399	HRH054U4	392
HLM075	397	HRH034U4	400	HRH054U4	399
HLM075	398	HRH036	393	HRH054U4	400
HLM075T4	391	HRH036	394	HRH056	393
HLM075T4	392	HRH036U4	391	HRH056	394
HLM075T4	403	HRH036U4	392	HRH056	394
HLM075T4	404	HRH036U4	399	HRH056U4	391
HLM078	397	HRH036U4	400	HRH056U4	392
HLM078	398	HRH038	393	HRH056U4	399
HLM078T4	391	HRH038	394	HRH056U4	400
HLM078T4	392	HRH038U4	391	HRM025T4	391
HLM078T4	403	HRH038U4	392	HRM025T4	392
HLM078T4	404	HRH038U4	399	HRM025T4	403
HLM081	397	HRH038U4	400	HRM025T4	404
HLM081	398	HRH039	393	HRM032	397
HLM081T4	391	HRH039	394	HRM032	398
HLM081T4	392	HRH040	393	HRM032T4	391
HLM081T4	403	HRH040	394	HRM032T4	392
HLM081T4	404	HRH040U4	391	HRM032T4	403
HLP068	395	HRH040U4	392	HRM032T4	404
HLP068	396	HRH040U4	399	HRM032U4	391
HLP068T4	391	HRH040U4	400	HRM032U4	392
HLP068T4	401	HRH041	393	HRM032U4	403
HLP072	395	HRH041	394	HRM032U4	404
HLP072	396	HRH041U4	391	HRM034	397
HLP072T4	391	HRH041U4	392	HRM034	398
HLP072T4	392	HRH041U4	399	HRM034T4	391
HLP072T4	401	HRH041U4	400	HRM034T4	392
HLP072T4	402	HRH044	393	HRM034T4	403
HLP075	395	HRH044	394	HRM034T4	404
HLP075	396	HRH044U4	391	HRM034U4	391
HLP075T4	391	HRH044U4	392	HRM034U4	392
HLP075T4	401	HRH044U4	399	HRM034U4	403
HLP078	395	HRH044U4	400	HRM034U4	404
HLP078	396	HRH047	393	HRM038	397
HLP078T4	391	HRH047	394	HRM038	398
HLP078T4	392	HRH047U4	391	HRM038T4	391
HLP078T4	401	HRH047U4	392	HRM038T4	392
HLP078T4	402	HRH047U4	399	HRM038T4	403
HLP081	395	HRH047U4	400	HRM038T4	404
HLP081	396	HRH048	393	HRM038U4	391
HLP081T4	391	HRH048	394	HRM038U4	392
HLP081T4	392	HRH048U4	391	HRM038U4	403
HLP081T4	401	HRH048U4	392	HRM038U4	404
HLP081T4	402	HRH048U4	399	HRM040	397
HRH029	393	HRH048U4	400	HRM040	398
HRH029	394	HRH049	393	HRM040T4	391

HRM040T4	392	HRM060T4	391	HRP060T4	392
HRM040T4	403	HRM060T4	392	HRP060T4	401
HRM040T4	404	HRM060T4	403	HRP060T4	402
HRM040U4	391	HRM060T4	404		
HRM040U4	392	HRM060U4	391	I	
HRM040U4	403	HRM060U4	392	ICAD 600A	155
HRM040U4	404	HRM060U4	403	ICAD 1200A	155
HRM042	397	HRM060U4	404	ICF	555
HRM042	398	HRP025T4	391	ICF 15	293
HRM042T4	391	HRP025T4	392	ICF 15	294
HRM042T4	392	HRP025T4	401	ICF 15	294
HRM042T4	403	HRP025T4	402	ICF 15	294
HRM042T4	404	HRP034	395	ICF 15	294
HRM042U4	391	HRP034	396	ICF 15	295
HRM042U4	392	HRP034T4	391	ICF 15	295
HRM042U4	403	HRP034T4	392	ICF 15	295
HRM042U4	404	HRP034T4	401	ICF 15	296
HRM045	397	HRP034T4	402	ICF 15 EVRAT	81
HRM045	398	HRP038	395	ICF 20	293
HRM045U4	391	HRP038	396	ICF 20	293
HRM045U4	392	HRP038T4	391	ICF 20	293
HRM045U4	403	HRP038T4	401	ICF 20	293
HRM045U4	404	HRP040	395	ICF 20	293
HRM047	397	HRP040	396	ICF 20	293
HRM047	398	HRP040T4	391	ICF 20	293
HRM047T4	391	HRP040T4	392	ICF 20	293
HRM047T4	392	HRP040T4	401	ICF 20	293
HRM047T4	403	HRP040T4	402	ICF 20	293
HRM047T4	404	HRP042	395	ICF 20	293
HRM047U4	391	HRP042	396	ICF 20	293
HRM047U4	392	HRP042T4	391	ICF 20	293
HRM047U4	403	HRP042T4	392	ICF 20	293
HRM047U4	404	HRP042T4	401	ICF 20	293
HRM048	397	HRP042T4	402	ICF 20	293
HRM048	398	HRP045	395	ICF 20	293
HRM048U4	391	HRP045	396	ICF 20	293
HRM048U4	392	HRP045T4	391	ICF 20	293
HRM048U4	403	HRP045T4	401	ICF 20	293
HRM048U4	404	HRP047	395	ICF 20	293
HRM051	397	HRP047	396	ICF 20	293
HRM051	398	HRP047T4	391	ICF 20	293
HRM051T4	391	HRP047T4	392	ICF 20	293
HRM051T4	392	HRP047T4	401	ICF 20	293
HRM051T4	403	HRP047T4	402	ICF 20	293
HRM051T4	404	HRP048	395	ICF 20	294
HRM051U4	391	HRP048	395	ICF 20	294
HRM051U4	392	HRP048	396	ICF 20	294
HRM051U4	403	HRP048	396	ICF 20	294
HRM051U4	404	HRP048T4	391	ICF 20	294
HRM054	397	HRP048T4	401	ICF 20	294
HRM054	398	HRP051	395	ICF 20	294
HRM054T4	391	HRP051	396	ICF 20	294
HRM054T4	392	HRP051T4	391	ICF 20	294
HRM054T4	403	HRP051T4	392	ICF 20	294
HRM054T4	404	HRP051T4	401	ICF 20	294
HRM054U4	391	HRP051T4	402	ICF 20	294
HRM054U4	392	HRP054	395	ICF 20	294
HRM054U4	403	HRP054	396	ICF 20	294
HRM054U4	404	HRP054T4	391	ICF 20	294
HRM058	397	HRP054T4	401	ICF 20	294
HRM058	398	HRP058	395	ICF 20	294
HRM058U4	391	HRP058	396	ICF 20	294
HRM058U4	392	HRP058T4	391	ICF 20	294
HRM058U4	403	HRP058T4	401	ICF 20	294
HRM058U4	404	HRP060	395	ICF 20	294
HRM060	397	HRP060	396	ICF 20	294
HRM060	398	HRP060T4	391	ICF 20	294

Table of contents - Type

ICF 20	294	ICF 25	294	ICM 40 – A	154
ICF 20	294	ICF 25	294	ICM 40 – A	157
ICF 20	295	ICF 25	294	ICM 40 – B	153
ICF 20	295	ICF 25	294	ICM 40 – B	154
ICF 20	295	ICF 25	294	ICM 40 – B	157
ICF 20	295	ICF 25	294	ICM 50 – A	153
ICF 20	295	ICF 25	295	ICM 50 – A	154
ICF 20	295	ICF 25	295	ICM 50 – A	157
ICF 20	295	ICF 25	295	ICM 50 – B	153
ICF 20	295	ICF 25	295	ICM 50 – B	154
ICF 20	295	ICF 25	295	ICM 50 – B	157
ICF 20	295	ICF 25	295	ICM 65 – A	153
ICF 20	295	ICF 25	295	ICM 65 – A	154
ICF 20	295	ICF 25	295	ICM 65 – A	157
ICF 20	295	ICF 25	295	ICM 65 – B	153
ICF 20	295	ICF 25	296	ICM 65 – B	154
ICF 20	295	ICF 25	296	ICM 65 – B	157
ICF 20	295	ICF 25	296	ICM 100	155
ICF 20	295	ICF 25	296	ICM 100 – B	153
ICF 20	295	ICF 25	296	ICM 125	155
ICF 20	295	ICF 25	296	ICM 125 – B	153
ICF 20	296	ICF 25	296	ICM 150	155
ICF 20	296	ICF 25	296	ICM 150 – B	153
ICF 20	296	ICF 25	296	ICMTS	554
ICF 20	296	ICF 25	296	ICMTS	554
ICF 20	296	ICLX	555	ICS	555
ICF 20	296	ICLX 32	88	ICS 25	162
ICF 20	296	ICLX 32	89	ICS 25 – 5	159
ICF 20	296	ICLX 40	88	ICS 25 – 5	160
ICF 20	296	ICLX 40	89	ICS 25 – 5	162
ICF 20	296	ICLX 50	88	ICS 25 – 10	159
ICF 20	296	ICLX 50	89	ICS 25 – 10	160
ICF 20	296	ICLX 65	88	ICS 25 – 10	162
ICF 20	296	ICLX 65	90	ICS 25 – 15	159
ICF 20	296	ICLX 80	88	ICS 25 – 15	160
ICF 20	296	ICLX 100	88	ICS 25 – 15	162
ICF 20	296	ICLX 125	88	ICS 25 – 20	159
ICF 20	296	ICLX 150	88	ICS 25 – 20	160
ICF 20	296	ICM	554	ICS 25 – 20	162
ICF 20	296	ICM	554	ICS 25 – 25	159
ICF 20	296	ICM 20–32	155	ICS 25 – 25	161
ICF 20	296	ICM 20 – A	153	ICS 25 – 25	162
ICF 20	296	ICM 20 – A	154	ICS 25 – 150	158
ICF 20	296	ICM 20 – A	156	ICS 32	159
ICF 20	296	ICM 20 – A33	156	ICS 32	161
ICF 20	296	ICM20A – 33	153	ICS 32	162
ICF 20 EVRAT	81	ICM 20 – B	153	ICS 32	162
ICF 20 EVRAT	81	ICM 20 – B	154	ICS 40	159
ICF 25	293	ICM 20 – B	156	ICS 40	161
ICF 25	293	ICM 20 – B66	153	ICS 40	163
ICF 25	293	ICM 20 – B66	156	ICS 40	163
ICF 25	293	ICM 20 – C	153	ICS 50	159
ICF 25	293	ICM 20 – C	154	ICS 50	161
ICF 25	293	ICM 20 – C	156	ICS 50	163
ICF 25	293	ICM 25 – A	153	ICS 50	163
ICF 25	293	ICM 25 – A	154	ICS 65	159
ICF 25	293	ICM 25 – A	156	ICS 65	161
ICF 25	293	ICM 25 – B	153	ICS 65	163
ICF 25	293	ICM 25 – B	154	ICS 65 – 80	163
ICF 25	293	ICM 25 – B	156	ICS 80	159
ICF 25	293	ICM 32 – A	153	ICS 80	161
ICF 25	293	ICM 32 – A	154	ICS 80	163
ICF 25	293	ICM 32 – A	157	ICS 100	159
ICF 25	293	ICM 32 – B	153	ICS 100 3)	161
ICF 25	294	ICM 32 – B	154	ICS 125	159
ICF 25	294	ICM 32 – B	157	ICS 125 3)	161
ICF 25	294	ICM 40–150	155	ICS 150	159
ICF 25	294	ICM 40 – A	153		

ICS 150 3)	161	KVL 15	135	LLZ015	413
ICV 20	156	KVL 22	133	LLZ015T4	424
ICV 25	156	KVL 22	135	LLZ015T4	424
ICV 25	162	KVL 28	133	LLZ015T4	425
ICV 32	89	KVL 28	135	LLZ015T4	425
ICV 32	157	KVL 35	133	LLZ018	413
ICV 32	162	KVL 35	135	LLZ018	413
ICV 40	89	KVP	555	LLZ018T4	424
ICV 40	157	KVR	555	LLZ018T4	424
ICV 40	163	KVR 12	131	LLZ018T4	425
ICV 50	89	KVR 15	131	LLZ018T4	425
ICV 50	157	KVR 22	131	LLZ024	413
ICV 50	163	KVR 28	131	LLZ024	413
ICV 65	90	KVR 35	131	LLZ024T4	424
ICV 65 – 80	157	KVS	554	LLZ024T4	424
ICV 65 – 80	163	KVS 15	150	LLZ024T4	425
		KVS 42	150	LLZ024T4	425
K				LLZ034	413
KP	555	L		LLZ034	413
KP 1	97	LA / LB 20	259		
KP 1A	98	LA / LB 20	259	M	
KP 1E	98	LA / LB 25	259	MCHE	554
KP 1E	98	LA / LB 25	259	MCX	554
KP 2	97	LA / LB 32	259	MLI	555
KP 5	97	LA / LB 32	259	MLZ	554
KP 5A	98	LA / LB 40	260	MLZ015	413
KP 6B 4)	97	LA / LB 40	260	MLZ015	413
KP 6W 4)	97	LG 12 – LG 16	141	MLZ015	414
KP 7ABS	98	LG 12 – LG 22	141	MLZ015	414
KP 7B 4)	97	LG 16 – LG 28	141	MLZ015	414
KP 7BS 4)	97	LG 22 – LG 35	141	MLZ015	414
KP 7EB	98	LLG	202	MLZ015	415
KP 7EW	98	LLG 185	203	MLZ015	415
KP 7S 4)	97	LLG 185 F	203	MLZ015	416
KP 7W 4)	97	LLG 185 S	203	MLZ015	416
KP 15	97	LLG 185 SF	203	MLZ015	417
KP 15A	98	LLG 335	203	MLZ015	417
KP 17B 4)	97	LLG 335 F	203	MLZ015	418
KP 17W 4)	97	LLG 335 S	203	MLZ015	418
KP 17W 4)	97	LLG 335 SF	203	MLZ015T4	420
KP 17WB	530	LLG 590	203	MLZ015T4	420
KP 17WB	532	LLG 590 F	203	MLZ015T4	421
KP 17WB 4)	97	LLG 590 S	203	MLZ015T4	421
KP 61	109	LLG 590 SF	203	MLZ015T4	422
KP 62	109	LLG 740	203	MLZ015T4	422
KP 62	109	LLG 740 F	203	MLZ016	418
KP 63	109	LLG 740 S	203	MLZ017	418
KP 68	109	LLG 740 SF	203	MLZ018	418
KP 69	109	LLG 995	203	MLZ019	413
KP 71	109	LLG 995 F	203	MLZ019	413
KP 73	109	LLG 995 S	203	MLZ019	414
KP 75	109	LLG 995 SF	203	MLZ019	414
KP 77	109	LLG 1145	203	MLZ019	414
KP 79	109	LLG 1145 F	203	MLZ019	414
KP 81	109	LLG 1145 S	203	MLZ019	415
KP 98	109	LLG 1145 SF	203	MLZ019	415
KVC	555	LLG 1550	203	MLZ019	416
KVC 12 3)	139	LLG 1550 F	203	MLZ019	416
KVC 15 3)	139	LLG 1550 S	203	MLZ019	417
KVC 22 3)	139	LLG 1550 SF	203	MLZ019	417
KVD	555	LLZ013	413	MLZ019	418
KVD 12	137	LLZ013	413	MLZ019	418
KVD 15	137	LLZ013T4	424	MLZ019T4	420
KVL	555	LLZ013T4	424	MLZ019T4	420
KVL 12	133	LLZ013T4	425	MLZ019T4	421
KVL 12	135	LLZ013T4	425	MLZ019T4	421
KVL 15	133	LLZ015	413	MLZ019T4	422

Table of contents - Type

MLZ019T4	422	MLZ038	414	MLZ048T4	422
MLZ020	418	MLZ038	414	MLZ048T4	422
MLZ021	413	MLZ038	414	MLZ058	413
MLZ021	413	MLZ038	415	MLZ058	413
MLZ021	414	MLZ038	415	MLZ058	414
MLZ021	414	MLZ038	416	MLZ058	414
MLZ021	414	MLZ038	416	MLZ058	414
MLZ021	414	MLZ038	417	MLZ058	414
MLZ021	415	MLZ038	417	MLZ058	415
MLZ021	415	MLZ038	418	MLZ058	415
MLZ021	416	MLZ038T4	420	MLZ058	416
MLZ021	416	MLZ038T4	420	MLZ058	416
MLZ021	417	MLZ038T4	421	MLZ058	417
MLZ021	417	MLZ038T4	421	MLZ058	417
MLZ021	418	MLZ038T4	422	MLZ058	418
MLZ021	418	MLZ038T4	422	MLZ058T4	420
MLZ021T4	420	MLZ042	413	MLZ058T4	420
MLZ021T4	420	MLZ042	413	MLZ058T4	421
MLZ021T4	421	MLZ042	414	MLZ058T4	421
MLZ021T4	421	MLZ042	414	MLZ058T4	422
MLZ021T4	422	MLZ042	414	MLZ058T4	422
MLZ021T4	422	MLZ042	414	MLZ066	413
MLZ022	418	MLZ042	415	MLZ066	413
MLZ023	418	MLZ042	415	MLZ066	414
MLZ024	418	MLZ042	416	MLZ066	414
MLZ025	418	MLZ042	416	MLZ066	414
MLZ026	413	MLZ042	417	MLZ066	414
MLZ026	413	MLZ042	417	MLZ066	415
MLZ026	414	MLZ042T5	420	MLZ066	415
MLZ026	414	MLZ042T5	421	MLZ066	416
MLZ026	414	MLZ042T5	422	MLZ066	416
MLZ026	414	MLZ045	413	MLZ066	417
MLZ026	415	MLZ045	413	MLZ066	417
MLZ026	415	MLZ045	414	MLZ066	418
MLZ026	416	MLZ045	414	MLZ066T4	420
MLZ026	416	MLZ045	414	MLZ066T4	420
MLZ026	417	MLZ045	414	MLZ066T4	421
MLZ026	417	MLZ045	415	MLZ066T4	421
MLZ026	418	MLZ045	415	MLZ066T4	422
MLZ026T4	420	MLZ045	416	MLZ066T4	422
MLZ026T4	420	MLZ045	416	MLZ076	413
MLZ026T4	421	MLZ045	417	MLZ076	413
MLZ026T4	421	MLZ045	417	MLZ076	414
MLZ026T4	422	MLZ045	418	MLZ076	414
MLZ026T4	422	MLZ045T1	421	MLZ076	414
MLZ030	413	MLZ045T1	422	MLZ076	414
MLZ030	413	MLZ045T4	420	MLZ076	415
MLZ030	414	MLZ045T4	420	MLZ076	415
MLZ030	414	MLZ045T4	421	MLZ076	416
MLZ030	414	MLZ045T4	422	MLZ076	416
MLZ030	414	MLZ048	413	MLZ076	417
MLZ030	415	MLZ048	413	MLZ076	417
MLZ030	415	MLZ048	414	MLZ076	418
MLZ030	416	MLZ048	414	MLZ076T4	420
MLZ030	416	MLZ048	414	MLZ076T4	420
MLZ030	417	MLZ048	414	MLZ076T4	421
MLZ030	417	MLZ048	415	MLZ076T4	421
MLZ030	418	MLZ048	415	MLZ076T4	422
MLZ030T4	420	MLZ048	416	MLZ076T4	422
MLZ030T4	420	MLZ048	416	MLZ / MLM015	415
MLZ030T4	421	MLZ048	417	MLZ / MLM015	417
MLZ030T4	421	MLZ048	417	MLZ / MLM015T4	419
MLZ030T4	422	MLZ048	418	MLZ / MLM015T4	419
MLZ030T4	422	MLZ048T4	420	MLZ/MLM015T4	423
MLZ038	413	MLZ048T4	420	MLZ/MLM015T4	423
MLZ038	413	MLZ048T4	421	MLZ / MLM019	415
MLZ038	414	MLZ048T4	421	MLZ / MLM019	417

MLZ / MLM019T4	419	MP 54	101	MTZ018	367
MLZ / MLM019T4	419	MP 54	101	MTZ018	368
MLZ/MLM019T4	423	MP 55	101	MTZ018	368
MLZ/MLM019T4	423	MP 55	101	MTZ018	369
MLZ / MLM021	415	MP 55A	101	MTZ018	369
MLZ / MLM021	417	MP 55E	102	MTZ018	372
MLZ / MLM021T4	419	MPHE	554	MTZ018	372
MLZ / MLM021T4	419	MT018	367	MTZ018-4	370
MLZ/MLM021T4	423	MT018	373	MTZ018-4	370
MLZ/MLM021T4	423	MT018	373	MTZ018-4	371
MLZ / MLM026	415	MT022	367	MTZ018-4	371
MLZ / MLM026	417	MT022	373	MTZ022	367
MLZ / MLM026T4	419	MT022	373	MTZ022	368
MLZ / MLM026T4	419	MT028	367	MTZ022	368
MLZ/MLM026T4	423	MT028	373	MTZ022	369
MLZ/MLM026T4	423	MT028	373	MTZ022	369
MLZ / MLM030	415	MT032	367	MTZ022	372
MLZ / MLM030	417	MT032	373	MTZ022	372
MLZ / MLM030T4	419	MT032	373	MTZ022-4	370
MLZ / MLM030T4	419	MT036	367	MTZ022-4	370
MLZ/MLM030T4	423	MT036	373	MTZ022-4	371
MLZ/MLM030T4	423	MT036	373	MTZ022-4	371
MLZ / MLM038	415	MT040	367	MTZ028	367
MLZ / MLM038	417	MT040	373	MTZ028	368
MLZ / MLM038T4	419	MT040	373	MTZ028	368
MLZ / MLM038T4	419	MT044	367	MTZ028	369
MLZ/MLM038T4	423	MT044	373	MTZ028	369
MLZ/MLM038T4	423	MT050	367	MTZ028	372
MLZ / MLM042	415	MT050	373	MTZ028	372
MLZ / MLM042	417	MT050	373	MTZ028-4	370
MLZ / MLM042T1	419	MT056	367	MTZ028-4	370
MLZ/MLM042T1	423	MT056	373	MTZ028-4	371
MLZ / MLM042T5	419	MT056	373	MTZ028-4	371
MLZ/MLM042T5	423	MT064	367	MTZ032	367
MLZ / MLM045	415	MT064	373	MTZ032	368
MLZ / MLM045	417	MT064	373	MTZ032	368
MLZ / MLM045T4	419	MT072	367	MTZ032	369
MLZ / MLM045T4	419	MT072	373	MTZ032	369
MLZ/MLM045T4	423	MT072	373	MTZ032	372
MLZ/MLM045T4	423	MT080	367	MTZ032	372
MLZ / MLM048	415	MT080	373	MTZ032-4	370
MLZ / MLM048	417	MT080	373	MTZ032-4	370
MLZ / MLM048T4	419	MT100	367	MTZ032-4	371
MLZ / MLM048T4	419	MT100	373	MTZ032-4	371
MLZ/MLM048T4	423	MT100	373	MTZ036	367
MLZ/MLM048T4	423	MT125	367	MTZ036	368
MLZ / MLM058	415	MT125	373	MTZ036	368
MLZ / MLM058	417	MT125	373	MTZ036	369
MLZ / MLM058T4	419	MT144	367	MTZ036	369
MLZ / MLM058T4	419	MT144	373	MTZ036	372
MLZ/MLM058T4	423	MT144	373	MTZ036	372
MLZ/MLM058T4	423	MT160	367	MTZ036-4	370
MLZ / MLM066	415	MT160	373	MTZ036-4	370
MLZ / MLM066	417	MT160	373	MTZ036-4	371
MLZ / MLM066T4	419	MTM200	367	MTZ036-4	371
MLZ / MLM066T4	419	MTM200	373	MTZ040	367
MLZ/MLM066T4	423	MTM200	373	MTZ040	368
MLZ/MLM066T4	423	MTM250	367	MTZ040	368
MLZ / MLM076	415	MTM250	373	MTZ040	369
MLZ / MLM076	417	MTM250	373	MTZ040	369
MLZ / MLM076T4	419	MTM288	367	MTZ040	372
MLZ / MLM076T4	419	MTM288	373	MTZ040	372
MLZ/MLM076T4	423	MTM288	373	MTZ040-4	370
MLZ/MLM076T4	423	MTM320	367	MTZ040-4	370
MMIGRS2	321	MTM320	373	MTZ040-4	371
MMIGRS2	325	MTM320	373	MTZ040-4	371
MP	555	MTZ	554	MTZ044	367

Table of contents - Type

MTZ044	368	MTZ100-4	371	MTZ288-4	371
MTZ044	369	MTZ100-4	371	MTZ320	367
MTZ044	372	MTZ125	367	MTZ320	368
MTZ050	367	MTZ125	368	MTZ320	368
MTZ050	368	MTZ125	368	MTZ320	369
MTZ050	368	MTZ125	369	MTZ320	369
MTZ050	369	MTZ125	369	MTZ320	372
MTZ050	369	MTZ125	372	MTZ320	372
MTZ050	372	MTZ125	372	MTZ320-4	370
MTZ050	372	MTZ125-4	370	MTZ320-4	370
MTZ050-4	370	MTZ125-4	370	MTZ320-4	371
MTZ050-4	370	MTZ125-4	371	MTZ320-4	371
MTZ050-4	371	MTZ125-4	371		
MTZ050-4	371	MTZ144	367	N	
MTZ056	367	MTZ144	368	NRD	131
MTZ056	368	MTZ144	368	NRV	555
MTZ056	368	MTZ144	369	NRV6	263
MTZ056	369	MTZ144	369	NRV 6s	263
MTZ056	369	MTZ144	372	NRV 6s 3)	263
MTZ056	372	MTZ144	372	NRV 10	263
MTZ056	372	MTZ144-4	370	NRV 10s	263
MTZ056-4	370	MTZ144-4	370	NRV 10s 3)	263
MTZ056-4	370	MTZ144-4	371	NRV 10s H	264
MTZ056-4	371	MTZ144-4	371	NRV 12	263
MTZ056-4	371	MTZ160	367	NRV 12s	263
MTZ064	367	MTZ160	368	NRV 12s 3)	263
MTZ064	368	MTZ160	368	NRV 16	263
MTZ064	368	MTZ160	369	NRV 16s	263
MTZ064	369	MTZ160	369	NRV 16s 3)	263
MTZ064	369	MTZ160	372	NRV 19	263
MTZ064	372	MTZ160	372	NRV 19s	263
MTZ064	372	MTZ160-4	370	NRV 19s 3)	263
MTZ064-4	370	MTZ160-4	370	NRV 22s	263
MTZ064-4	370	MTZ160-4	371	NRV 22s 3)	263
MTZ064-4	371	MTZ160-4	371	NRV 28s	263
MTZ064-4	371	MTZ200	367	NRV 28s 3)	263
MTZ072	367	MTZ200	368	NRV 35s	263
MTZ072	368	MTZ200	368	NRV 35s 3)	263
MTZ072	368	MTZ200	369	NRVA	555
MTZ072	369	MTZ200	369	NRVA 15	267
MTZ072	369	MTZ200	372	NRVA 15	267
MTZ072	372	MTZ200	372	NRVA 15	267
MTZ072	372	MTZ200-4	370	NRVA 15 / 20	267
MTZ072-4	370	MTZ200-4	370	NRVA 20	267
MTZ072-4	370	MTZ200-4	371	NRVA 20	267
MTZ072-4	371	MTZ200-4	371	NRVA 20	267
MTZ072-4	371	MTZ250	367	NRVA 25	267
MTZ080	367	MTZ250	368	NRVA 25	267
MTZ080	368	MTZ250	368	NRVA 25	267
MTZ080	368	MTZ250	369	NRVA 25 / 32	267
MTZ080	369	MTZ250	369	NRVA 32	267
MTZ080	369	MTZ250	372	NRVA 32	267
MTZ080	372	MTZ250	372	NRVA 32	267
MTZ080	372	MTZ250-4	370	NRVA 40	267
MTZ080-4	370	MTZ250-4	370	NRVA 40	267
MTZ080-4	370	MTZ250-4	371	NRVA 40	267
MTZ080-4	371	MTZ250-4	371	NRVA 40 / 50	267
MTZ080-4	371	MTZ288	367	NRVA 50	267
MTZ100	367	MTZ288	368	NRVA 50	267
MTZ100	368	MTZ288	368	NRVA 50	267
MTZ100	368	MTZ288	369	NRVA 65	267
MTZ100	369	MTZ288	369	NRVA 65	267
MTZ100	369	MTZ288	372	NRVA 65	267
MTZ100	372	MTZ288	372	NRVA 65	267
MTZ100	372	MTZ288-4	370	NRVH 6s 3)	264
MTZ100-4	370	MTZ288-4	370	NRVH 10s	264
MTZ100-4	370	MTZ288-4	371	NRVH 10s 3)	264

NRVH 12s	264	PSH023	454	PSH051-4	460
NRVH 12s 3)	264	PSH023	464	PSH051-4	460
NRVH 16s	264	PSH023	464	PSH052	464
NRVH 16s 3)	264	PSH023-4	455	PSH060	464
NRVH 19s	264	PSH023-4	456	PSH064	453
NRVH 19s 3)	264	PSH023-4	458	PSH064	453
NRVH 22s	264	PSH023-4	459	PSH064	454
NRVH 22s 3)	264	PSH026	453	PSH064	454
NRVH 28s	264	PSH026	453	PSH064	464
NRVH 28s 3)	264	PSH026	453	PSH064	464
NRVH 35s	264	PSH026	453	PSH064	464
NRVH 35s 3)	264	PSH026	454	PSH064	464
NTZ048	367	PSH026	454	PSH064-4	457
NTZ048	374	PSH026	464	PSH064-4	457
NTZ048	374	PSH026	464	PSH064-4	460
NTZ068	367	PSH026-4	455	PSH064-4	460
NTZ068	374	PSH026-4	456	PSH068	464
NTZ068	374	PSH026-4	458	PSH077	453
NTZ096	367	PSH026-4	459	PSH077	453
NTZ096	374	PSH030	453	PSH077	454
NTZ096	374	PSH030	453	PSH077	454
NTZ108	367	PSH030	453	PSH077	464
NTZ108	374	PSH030	453	PSH077	464
NTZ108	374	PSH030	454	PSH077	464
NTZ136	367	PSH030	454	PSH077	464
NTZ136	374	PSH030	464	PSH077-4	457
NTZ136	374	PSH030	464	PSH077-4	457
NTZ215	367	PSH030-4	455	PSH077-4	460
NTZ215	374	PSH030-4	456	PSH077-4	460
NTZ215	374	PSH030-4	458	PSH078	464
NTZ271	367	PSH030-4	459	P / T / D / N / SC	554
NTZ271	374	PSH034	453		
NTZ271	374	PSH034	453		
NTZ430	367	PSH034	453		
NTZ430	374	PSH034	453	Q	
NTZ430	374	PSH034	454	QDV 15 1/2 in FPT	249
NTZ542	367	PSH034	454	QDV 15 1/2 in FPT + SVA-ST SOC	249
NTZ542	374	PSH034	464	QDV 15 3/4 in FPT	249
NTZ542	374	PSH034	464	QDV 15 DN 15	249
		PSH034	464	QDV 15 DN 15 + SVA-ST DN 15	249
		PSH034-4	455		
		PSH034-4	456	R	
O		PSH034-4	458	REG-LA 15	258
Optyma™	554	PSH034-4	459	REG-LA 20	259
Optyma™ Plus	554	PSH034-4	464	REG-LA 25	259
Optyma™ Slim Pack	554	PSH038	464	REG-LA 32	259
OUB 1	299	PSH039	453	REG-LA 40	260
OUB 1s 1)	299	PSH039	453	REG-LB 15	258
OUB 1s 2)	299	PSH039	453	REG-LB 20	259
OUB 4	299	PSH039	453	REG-LB 25	259
		PSH039	454	REG-LB 32	259
P		PSH039	454	REG-LB 40	260
PSH019	453	PSH039	464	REG-S	555
PSH019	453	PSH039	464	REG-SA 10	256
PSH019	453	PSH039-4	455	REG-SA 10	256
PSH019	454	PSH039-4	456	REG-SA 10	258
PSH019	454	PSH039-4	458	REG-SA 15	256
PSH019	464	PSH039-4	459	REG-SA 15	256
PSH019	464	PSH046	464	REG-SA 15	258
PSH019-4	455	PSH051	453	REG-SA 20	256
PSH019-4	456	PSH051	453	REG-SA 20	256
PSH019-4	458	PSH051	454	REG-SA 20	259
PSH019-4	459	PSH051	454	REG-SA 25	256
PSH023	453	PSH051	464	REG-SA 25	256
PSH023	453	PSH051	464	REG-SA 25	259
PSH023	453	PSH051	464	REG-SA 32	256
PSH023	453	PSH051	464	REG-SA 32	256
PSH023	454	PSH051-4	457	REG-SA 32	259
		PSH051-4	457	REG-SA 40	256

Table of contents - Type

REG-SA 40	256	RT 14L	107	SFA 15-50 T 210	278
REG-SA 40	260	RT 15	107	SFA 15-50 T 210	279
REG-SA / SB /	259	RT 16L	107	SFA 15-50 T 211	278
REG-SA / SB /	259	RT 17	107	SFA 15-50 T 211	279
REG-SA / SB /	259	RT 23	107	SFA 15-50 T 212	278
REG-SA / SB /	259	RT 24	107	SFA 15-50 T 212	279
REG-SA / SB /	259	RT30AB 3)	94	SFA 15-50 T 213	278
REG-SA / SB /	259	RT30AS 3)	94	SFA 15-50 T 213	279
REG-SA / SB /	260	RT30AW 3)	94	SFA 15-50 T 214	278
REG-SA / SB /	260	RT 34	107	SFA 15-50 T 214	279
REG-SA / SB 10	258	RT 101	107	SFA 15-50 T 215	278
REG-SA / SB 10	258	RT 101L	107	SFA 15-50 T 215	279
REG-SA / SB 50	260	RT 102	107	SFA 15-50 T 216	278
REG-SA / SB 50	260	RT 107	107	SFA 15-50 T 216	279
REG-SA / SB 65	260	RT 117L	93	SFA 15-50 T 217	278
REG-SA / SB 65	260	RT 117L	93	SFA 15-50 T 217	279
REG-SA / SB / LA / LB 15	258	RT 140	107	SFA 15-50 T 218	278
REG-SA / SB / LA / LB 15	258	RT 140L	107	SFA 15-50 T 218	279
REG-SB 10	257	RT 200	93	SFA 15-50 T 219	278
REG-SB 10	257	RT 200L	93	SFA 15-50 T 219	279
REG-SB 10	258	RT 260A	93	SFA 15-50 T 220	278
REG-SB 15	257	RT 262A	93	SFA 15-50 T 220	279
REG-SB 15	257	RT 262 AL	94	SFA 15-50 T 221	278
REG-SB 15	258	RT 265 3)	93	SFA 15-50 T 221	279
REG-SB 20	257			SFA 15-50 T 222	278
REG-SB 20	257	S		SFA 15-50 T 222	279
REG-SB 20	259	SCA-X	555	SFA 15-50 T 223	278
REG-SB 25	257	SCA-X 15	269	SFA 15-50 T 223	279
REG-SB 25	257	SCA-X 15	270	SFA 15-50 T 224	278
REG-SB 25	259	SCA-X 15	270	SFA 15-50 T 224	279
REG-SB 32	257	SCA-X 15	270	SFA 15-50 T 225	278
REG-SB 32	257	SCA-X 20	270	SFA 15-50 T 225	279
REG-SB 32	259	SCA-X 20	270	SFA 15-50 T 226	278
REG-SB 40	257	SCA-X 20	269	SFA 15-50 T 226	279
REG-SB 40	257	SCA-X 20	270	SFA 15-50 T 227	278
REG-SB 40	260	SCA-X 25	270	SFA 15-50 T 227	279
REG-SB 50	257	SCA-X 25	270	SFA 15-50 T 228	278
REG-SB 50	257	SCA-X 25	269	SFA 15-50 T 228	279
REG-SB 50	257	SCA-X 25	270	SFA 15-50 T 229	278
REG-SB 50	260	SCA-X 32	269	SFA 15-50 T 229	279
REG-SB 65	257	SCA-X 32	271	SFA 15-50 T 230	278
REG-SB 65	257	SCA-X 32	271	SFA 15-50 T 230	279
REG-SB 65	260	SCA-X 32	271	SFA 15-50 T 231	278
RT	555	SCA-X 40	269	SFA 15-50 T 231	279
RT	555	SCA-X 40	271	SFA 15-50 T 232	278
RT 1	93	SCA-X 40	271	SFA 15-50 T 232	279
RT 1A	93	SCA-X 40	271	SFA 15-50 T 233	278
RT 1AL	93	SCA-X 50	269	SFA 15-50 T 233	279
RT 2	107	SCA-X 50	271	SFA 15-50 T 234	278
RT 3	107	SCA-X 50	271	SFA 15-50 T 234	279
RT 4	107	SCA-X 50	271	SFA 15-50 T 235	278
RT 5A	93	SCA-X 65	269	SFA 15-50 T 235	279
RT 5AL	93	SCA-X 65	271	SFA 15-50 T 236	278
RT6AB 3)	94	SCA-X 65	271	SFA 15-50 T 236	279
RT6AS 3)	94	SCA-X 65	271	SFA 15-50 T 237	278
RT6AW 3)	94	SCA-X 80	269	SFA 15-50 T 237	279
RT 6B 2)	94	SCA-X 80	272	SFA 15-50 T 238	278
RT 6S 2)	94	SCA-X 80	272	SFA 15-50 T 238	279
RT 6W 2)	94	SCA-X 80	272	SFA 15-50 T 239	278
RT 7	107	SCA-X 100	269	SFA 15-50 T 239	279
RT 8	107	SCA-X 100	272	SFA 15-50 T 240	278
RT 8L	107	SCA-X 100	272	SFA 15-50 T 240	279
RT 9	107	SCA-X 100	272	SFA 15 T 210	277
RT 11	107	SCA-X 125	269	SFA 15 T 211	277
RT 12	107	SCA-X 125	272	SFA 15 T 212	277
RT 13	107	SCA-X 125	272	SFA 15 T 213	277
RT 14	107	SCA-X 125	272	SFA 15 T 214	277

SFA 15 T 215	277	SFV 20 T 220	281	SGN 6	196
SFA 15 T 216	277	SFV 20 T 221	281	SGN 6s	196
SFA 15 T 217	277	SFV 20 T 222	281	SGN 10	196
SFA 15 T 218	277	SFV 20 T 223	281	SGN 10s	196
SFA 15 T 219	277	SFV 20 T 224	281	SGN 12	196
SFA 15 T 220	277	SFV 20 T 225	281	SGN 12s	196
SFA 15 T 221	277	SFV 20 T 310	282	SGN 16	196
SFA 15 T 222	277	SFV 20 T 311	282	SGN 16s	196
SFA 15 T 223	277	SFV 20 T 312	282	SGN 19	196
SFA 15 T 224	277	SFV 20 T 313	282	SGN 19s	196
SFA 15 T 225	277	SFV 20 T 314	282	SGN 22s	196
SFA 15 T 226	277	SFV 20 T 315	282	SGP	198
SFA 15 T 227	277	SFV 20 T 316	282	SGP	555
SFA 15 T 228	277	SFV 20 T 317	282	SGP 1/2 RI (I type indicator)	201
SFA 15 T 229	277	SFV 20 T 318	282	SGP 1/2 RN (N type indicator)	201
SFA 15 T 230	277	SFV 20 T 319	282	SGP 1/2 RX (no indicator)	201
SFA 15 T 231	277	SFV 20 T 320	282	SGP 3/4 RX (no indicator)	201
SFA 15 T 232	277	SFV 20 T 321	282	SGP 6 I	200
SFA 15 T 233	277	SFV 20 T 322	282	SGP 6 N	201
SFA 15 T 234	277	SFV 20 T 323	282	SGP 6 N	201
SFA 15 T 235	277	SFV 20 T 324	282	SGP 6s I	200
SFA 15 T 236	277	SFV 20 T 325	282	SGP 6s N	201
SFA 15 T 237	277	SFV 25 T 210	281	SGP 6s N	201
SFA 15 T 238	277	SFV 25 T 211	281	SGP 6s N	201
SFA 15 T 239	277	SFV 25 T 212	281	SGP 10 I	200
SFA 15 T 240	277	SFV 25 T 213	281	SGP 10 N	201
SFA 15 T 310	279	SFV 25 T 214	281	SGP 10 N	201
SFA 15 T 311	279	SFV 25 T 215	281	SGP 10s I	200
SFA 15 T 312	279	SFV 25 T 216	281	SGP 10s N	201
SFA 15 T 313	279	SFV 25 T 217	281	SGP 10s N	201
SFA 15 T 314	279	SFV 25 T 218	281	SGP 10s N	201
SFA 15 T 315	279	SFV 25 T 219	281	SGP 10s N	530
SFA 15 T 316	279	SFV 25 T 220	281	SGP 10s N	532
SFA 15 T 317	279	SFV 25 T 221	281	SGP 10 X	200
SFA 15 T 318	279	SFV 25 T 222	281	SGP 12 I	200
SFA 15 T 319	279	SFV 25 T 223	281	SGP 12 N	201
SFA 15 T 320	279	SFV 25 T 224	281	SGP 12 N	201
SFA 15 T 321	279	SFV 25 T 225	281	SGP 12 N	530
SFA 15 T 322	279	SFV 25 T 310	282	SGP 12 N	532
SFA 15 T 323	279	SFV 25 T 311	282	SGP 12s I	200
SFA 15 T 324	279	SFV 25 T 312	282	SGP 12s N	201
SFA 15 T 325	279	SFV 25 T 313	282	SGP 12s N	201
SFA 15 T 326	279	SFV 25 T 314	282	SGP 12s N	201
SFA 15 T 327	279	SFV 25 T 315	282	SGP 12s X	200
SFA 15 T 328	279	SFV 25 T 316	282	SGP 16 I	200
SFA 15 T 329	279	SFV 25 T 317	282	SGP 16 N	201
SFA 15 T 330	279	SFV 25 T 318	282	SGP 16 N	201
SFA 15 T 331	279	SFV 25 T 319	282	SGP 16s I	200
SFA 15 T 332	279	SFV 25 T 320	282	SGP 16s N	201
SFA 15 T 333	279	SFV 25 T 321	282	SGP 16s N	201
SFA 15 T 334	279	SFV 25 T 322	282	SGP 16s X	200
SFA 15 T 335	279	SFV 25 T 323	282	SGP 18s I	200
SFA 15 T 336	279	SFV 25 T 324	282	SGP 18s N	201
SFA 15 T 337	279	SFV 25 T 325	282	SGP 19 I	200
SFA 15 T 338	279	SG	194	SGP 19 N	201
SFA 15 T 339	279	SG	555	SGP 19 N	201
SFA 15 T 340	279	SGL 6	196	SGP 19s I	200
SFV 20 T 210	281	SGL 6s	196	SGP 19s N	201
SFV 20 T 211	281	SGL 10	196	SGP 20 RN (N type indicator)	201
SFV 20 T 212	281	SGL 10s	196	SGP 22s I	200
SFV 20 T 213	281	SGL 12	196	SGP 22s N	201
SFV 20 T 214	281	SGL 12s	196	SGP 22s N	201
SFV 20 T 215	281	SGL 16	196	SGP 22s N 2)	201
SFV 20 T 216	281	SGL 16s	196	SGP 22s X	200
SFV 20 T 217	281	SGL 19	196	SGP 24 RI (I type indicator)	201
SFV 20 T 218	281	SGL 19s	196	SGP 24 RN (N type indicator)	201
SFV 20 T 219	281	SGL 22s	196	SGRI (I type indicator)	197

Table of contents - Type

SGRN (N type indicator)	197	SH380-4	432	SM175	436
SGR (no indicator)	197	SH380 + SH380 + SH380 = SH1140	450	SM175	442
SGS (saddle)	197	SH485	431	SM175	443
SGS (saddle)	201	SH485	431	SM180	442
SH090	431	SH485	431	SM180	443
SH090	431	SH485	432	SM185	436
SH090	431	SH485	433	SM185	442
SH090	432	SH485-4	432	SM185	443
SH090	433	SH485 + SH485 + SH485 = SH1455	450	SM200	442
SH090-4	432	SLV	554	SM200	443
SH090 + SH090 = SH182	449	SM084	434	SM220	442
SH105	431	SM084	435	SM220	443
SH105	431	SM084	436	SM230	442
SH105	431	SM084	442	SM242	442
SH105	432	SM084	443	SM242	443
SH105	433	SM090	434	SM248	442
SH105-4	432	SM090	435	SM248	443
SH120	431	SM090	436	SM248	451
SH120	431	SM090	442	SM250	442
SH120	431	SM090	443	SM268	442
SH120	432	SM100	434	SM268	443
SH120	433	SM100	435	SM271	442
SH120-4	432	SM100	436	SM271	443
SH140	431	SM100	442	SM272	442
SH140	431	SM100	443	SM272	443
SH140	431	SM110	434	SM272	451
SH140	432	SM110	435	SM281	442
SH140	433	SM110	436	SM281	443
SH140-4	432	SM110	442	SM285	442
SH161	431	SM110	443	SM290	442
SH161	431	SM112	434	SM294	442
SH161	431	SM112	435	SM294	443
SH161	432	SM112	435	SM296	442
SH161	433	SM112	435	SM296	443
SH161-4	432	SM112	442	SM310	442
SH180	431	SM112	443	SM320	442
SH180	431	SM120	434	SM322	442
SH180	431	SM120	435	SM322	443
SH180	432	SM120	436	SM350	442
SH180	433	SM120	442	SM350	443
SH180-4	432	SM120	443	SM370	442
SH180 + SH180 + SH180 = SH550	450	SM124	434	SM370	443
SH184	431	SM124	435	SM/SY185	434
SH184	431	SM124	435	SM/SY185	435
SH184	431	SM124	435	SM / SZ170	451
SH184	432	SM124	442	SM / SZ170	451
SH184	433	SM124	443	SM / SZ180	451
SH184-4	432	SM147	434	SM / SZ180	451
SH240	431	SM147	435	SM / SZ200	451
SH240	431	SM147	435	SM / SZ200	451
SH240	431	SM147	435	SM / SZ220	451
SH240	432	SM147	442	SM / SZ220	451
SH240	433	SM147	443	SM / SZ220	451
SH240-4	432	SM148	434	SM / SZ242	451
SH240 + SH240 + SH240 = SH720	450	SM148	435	SM / SZ242	451
SH295	431	SM148	436	SM / SZ268	451
SH295	432	SM148	442	SM / SZ268	451
SH295	433	SM148	443	SM / SZ271	451
SH295 3)	431	SM148	443	SM / SZ271	451
SH295 3)	431	SM161	434	SM / SZ281	451
SH295-4	432	SM161	435	SM / SZ281	451
SH295 + SH295 + SH295 = SH885	450	SM161	436	SM / SZ294	451
SH380	431	SM161	442	SM / SZ296	451
SH380	431	SM161	443	SM / SZ296	451
SH380	431	SM170	442	SM / SZ322	451
SH380	432	SM170	443	SM / SZ322	451
SH380	433	SM175	434	SM / SZ350	451
SH380	433	SM175	435	SM / SZ350	451

SM / SZ350	451	SVA-L 40	240	SVA-S / L 15	238
SM / SZ370	451	SVA-S 6	234	SVA-S / L 15	238
SM / SZ370	451	SVA-S 6	235	SVA-S / L 20	239
SM / SZ444	451	SVA-S 6	238	SVA-S / L 20	239
SM / SZ483	451	SVA-S 6	238	SVA-S / L 25	239
SM / SZ740	451	SVA-S 6	238	SVA-S / L 25	239
SNV-SS G 1/2-W 1/2 L50	252	SVA-S 6	238	SVA-S / L 32	239
SNV-SS G 1/2-W 1/2 L150	252	SVA-S 10	234	SVA-S / L 32	239
SNV-ST 1/2 MPT-1/2 MPT	251	SVA-S 10	235	SVA-S / L 40	240
SNV-ST 1/2 MPT-3/8 FPT	251	SVA-S 10	238	SVA-S / L 40	240
SNV-ST 1/4 FPT-1/4 FPT	251	SVA-S 10	238	SVA-S SS 15	247
SNV-ST 1/4 FPT-1/4 MPT	251	SVA-S 10	238	SVA-S SS 15	247
SNV-ST 1/4 FPT-1/4 MPT L100	252	SVA-S 10	238	SVA-S SS 20	247
SNV-ST 3/8 FPT-1/2 MPT	251	SVA-S 15	234	SVA-S SS 20	247
SNV-ST 3/8 FPT-3/8 FPT	251	SVA-S 15	235	SVA-S SS 25	247
SNV-ST 3/8 FPT-3/8 MPT	251	SVA-S 15	238	SVA-S SS 25	247
SNV-ST 7/16 UNF-1/4 MPT	251	SVA-S 15	238	SVA-S SS 32	247
SNV-ST CD6-1/4 MPT	251	SVA-S 20	234	SVA-S SS 32	247
SNV-ST CD6-1/4 MPT *)	251	SVA-S 20	235	SVA-S SS 40	247
SNV-ST CD6-3/8 MPT	251	SVA-S 20	239	SVA-S SS 40	247
SNV-ST CD10-1/4 MPT	251	SVA-S 20	239	SVA-S SS 50	247
SNV-ST CD10-3/8 MPT	251	SVA-S 25	234	SVA-S SS 50	247
SNV-ST CD10-CD10	251	SVA-S 25	235	SVA-S SS 65	247
SNV-ST CD10-W 1/2 L100	252	SVA-S 25	239	SVA-S SS 65	247
SNV-ST G 1/2-G 1/2	251	SVA-S 25	239	SVA-S SS 80	247
SNV-ST G 1/2 Man	252	SVA-S 32	234	SVA-S SS 100	247
SNV-ST G 1/2-W 1/2 L50	252	SVA-S 32	235	SVA-S SS 125	247
SNV-ST G 1/2-W 1/2 L100	252	SVA-S 32	239	SY185	442
SNV-ST G 1/2-W 1/2 L125	252	SVA-S 32	239	SY185	443
SNV-ST G 1/4-R 1/4 L50	252	SVA-S 40	234	SY185 1)	436
SNV-ST G 3/8-W 1/2 L125	252	SVA-S 40	235	SY240	434
STC 15	243	SVA-S 40	240	SY240	435
STC 20	243	SVA-S 40	240	SY240	436
STC 25	243	SVA-S 50	234	SY240	442
STC 32	243	SVA-S 50	235	SY240	443
STC 40	243	SVA-S 50	240	SY300	434
STC 50	243	SVA-S 50	240	SY300	435
STC 65	244	SVA-S 50	240	SY300	436
STC 65	244	SVA-S 50	240	SY300	442
STC 80	244	SVA-S 65	234	SY300	443
STC 80	244	SVA-S 65	235	SY380	434
STC 100	244	SVA-S 65	240	SY380	435
STC 100	244	SVA-S 65	240	SY380	436
STC 125	244	SVA-S 65	240	SY380	442
STC 125	244	SVA-S 65	240	SY380	443
STC 150	244	SVA-S 80	234	SY / SZ370	451
STC 150	244	SVA-S 80	235	SY / SZ425	451
SVA	555	SVA-S 80	241	SY / SZ425	451
SVA-L 15	236	SVA-S 80	241	SY / SZ482	451
SVA-L 15	237	SVA-S 80	241	SY / SZ485	451
SVA-L 15	238	SVA-S 80	241	SY / SZ485	451
SVA-L 15	238	SVA-S 100	234	SY / SZ540	451
SVA-L 20	236	SVA-S 100	235	SY / SZ550	451
SVA-L 20	237	SVA-S 100	241	SY / SZ600	451
SVA-L 20	239	SVA-S 100	241	SY / SZ620	451
SVA-L 20	239	SVA-S 100	241	SY / SZ680	451
SVA-L 25	236	SVA-S 100	241	SY / SZ720	451
SVA-L 25	237	SVA-S 125	234	SY / SZ760	451
SVA-L 25	239	SVA-S 125	235	SY / SZ900	451
SVA-L 25	239	SVA-S 125	241	SY / SZ1140	451
SVA-L 32	236	SVA-S 125	241	SZ084	434
SVA-L 32	237	SVA-S 125	241	SZ084	435
SVA-L 32	239	SVA-S 125	241	SZ084	437
SVA-L 32	239	SVA-S 150	234	SZ084	438
SVA-L 40	236	SVA-S 150	235	SZ084	439
SVA-L 40	237	SVA-S 200	234	SZ084	440
SVA-L 40	240	SVA-S 200	235	SZ084	441

Table of contents - Type

SZ090	434	SZ185	437	SZ350	440
SZ090	435	SZ185	438	SZ350	441
SZ090	437	SZ185	439	SZ370	438
SZ090	438	SZ185	440	SZ370	439
SZ090	439	SZ185	441	SZ370	440
SZ090	440	SZ185	441	SZ370	441
SZ090	441	SZ200	438	SZ380	434
SZ100	434	SZ200	439	SZ380	435
SZ100	435	SZ200	440	SZ380	437
SZ100	437	SZ200	441	SZ380	438
SZ100	438	SZ220	438	SZ380	439
SZ100	439	SZ220	439	SZ380	440
SZ100	440	SZ220	440	SZ380	441
SZ100	441	SZ220	441		
SZ110	434	SZ230	438	T	
SZ110	435	SZ230	440	T2	7
SZ110	437	SZ240	434	T2	8
SZ110	438	SZ240	435	T2	555
SZ110	439	SZ240	437	T 2 / TE 2	6
SZ110	440	SZ240	438	T 2 / TE 2	9
SZ110	441	SZ240	439	TCAE	34
SZ112	441	SZ240	440	TCAE	34
SZ120	434	SZ240	441	TCAE	34
SZ120	435	SZ242	438	TCAE	34
SZ120	437	SZ242	439	TCAE	34
SZ120	438	SZ242	440	TCAE	34
SZ120	439	SZ242	441	TCAE	34
SZ120	440	SZ250	438	TCAE	34
SZ120	441	SZ250	440	TCAE	34
SZ124	441	SZ268	438	TCAE	34
SZ147	434	SZ268	439	TCAE	34
SZ147	435	SZ268	440	TCAE	34
SZ147	435	SZ268	441	TCAE	34
SZ147	435	SZ271	438	TCAE	34
SZ147	437	SZ271	439	TCAE	34
SZ147	441	SZ271	440	TCAE	34
SZ148	434	SZ271	441	TCAE	34
SZ148	435	SZ281	438	TCAE	34
SZ148	437	SZ281	439	TCAE	34
SZ148	438	SZ281	440	TCAE	34
SZ148	439	SZ281	441	TCAE	34
SZ148	440	SZ285	438	TCAE	34
SZ148	441	SZ285	440	TCAE	34
SZ161	434	SZ290	438	TCAE	34
SZ161	435	SZ290	440	TCAE	34
SZ161	437	SZ294	441	TCAE	34
SZ161	438	SZ296	438	TCAE	34
SZ161	439	SZ296	439	TCAE	34
SZ161	440	SZ296	440	TCAE	34
SZ161	441	SZ296	441	TCAE	34
SZ170	438	SZ300	434	TCAE	35
SZ170	439	SZ300	435	TCBE	40
SZ170	440	SZ300	437	TCBE	40
SZ170	441	SZ300	438	TCBE	40
SZ175	434	SZ300	439	TCBE	40
SZ175	435	SZ300	440	TCBE	40
SZ175	437	SZ300	441	TCBE	40
SZ175	438	SZ310	438	TCBE	40
SZ175	439	SZ310	440	TCBE	40
SZ175	440	SZ320	438	TCBE	40
SZ175	441	SZ320	440	TCBE	40
SZ180	438	SZ322	438	TCBE	40
SZ180	439	SZ322	439	TCBE	40
SZ180	440	SZ322	440	TCBE	40
SZ180	441	SZ322	441	TCBE	40
SZ185	434	SZ350	438	TCBE	40
SZ185	435	SZ350	439	TCBE	40

TCBE	40	TES 2	8	TGEZ 10	24
TCBE	40	TES 2	8	TGEZ 20	23
TCBE	40	TES 5	11	TGEZ 20	24
TCBE	40	TES 12	11	TGEZ 40	23
TCBE	40	TES 20	11	TGEZ 40	24
TCBE	40	TES 55	11	TN 2	7
TCBE	40	TEX 2	7	TN 2	7
TCBE	40	TEX 2	7	TN 2	7
TCBE	40	TEX 2	7	TN 2	7
TCBE	40	TEX 2	7	TN 2	7
TCBE	40	TEX 2	7	TN 2	8
TCBE	40	TEX 2	7	TN 2	8
TCBE	40	TEX 2	7	TN 2	8
TCBE	40	TEX 2	7	TN 2	8
TCBE	40	TEX 2	8	TN 2	8
TCBE	40	TEX 2	8	TS 2	7
TCBE	40	TEX 2	8	TS 2	7
TCBE	40	TEX 2	8	TS 2	7
TCBE	40	TEX 2	8	TS 2	7
TCBE	40	TEX 2	8	TS 2	7
TCBE	40	TEX 2	8	TS 2	7
TCBE	40	TEX 2	8	TS 2	7
TCBE	40	TEX 5	12	TS 2	8
TCBE	40	TEX 12	12	TS 2	8
TCBE	40	TEX 20	12	TS 2	8
TCBE	40	TEX 55	12	TS 2	8
TCBE	40	TEZ 2	7	TS 2	8
TD1	555	TEZ 2	7	TS 2	8
TE2	7	TEZ 2	8	TS 2	8
TE2	8	TEZ 2	8	TS 2	8
TE 5	12	TEZ 2	8	TS 2	8
TE 5	14	TEZ 2	8	TS 2	8
TE5	13	TEZ 5	11	TUA	32
TE 5 - TE 55	10	TEZ 12	11	TUA	32
TE 12	12	TEZ 20	11	TUA	32
TE 12	14	TEZ 55	11	TUA	32
TE12	13	TGE	16	TUA	32
TE 20	12	TGE	555	TUA	32
TE 20	14	TGE 10	28	TUA	32
TE20	13	TGE 20	28	TUA	33
TE 20 / TE 55	12	TGE 40	28	TUA	33
TE 55	13	TGEL 10	25	TUA	33
TE 55	14	TGEL 10	26	TUA	33
TEA	555	TGEL 10	27	TUAE	32
TEN 2	7	TGEL 20	25	TUAE	32
TEN 2	7	TGEL 20	26	TUAE	32
TEN 2	7	TGEL 20	27	TUAE	32
TEN 2	7	TGEL 40	26	TUAE	32
TEN 2	8	TGEL 40	27	TUAE	32
TEN 2	8	TGEN 10	20	TUAE	32
TEN 2	8	TGEN 10	21	TUAE	32
TEN 2	8	TGEN 10	22	TUAE	32
TEN 5	11	TGEN 20	20	TUAE	32
TEN 12	11	TGEN 20	21	TUAE	32
TEN 20	11	TGEN 20	22	TUAE	33
TEN 55	11	TGEN 40	20	TUAE	33
TES 2	7	TGEN 40	21	TUAE	33
TES 2	7	TGES 10	28	TUAE	33
TES 2	7	TGES 20	28	TUAE	33
TES 2	7	TGES 40	28	TUAE	33
TES 2	7	TGEX 10	17	TUAE	33
TES 2	7	TGEX 10	18	TUA / TUAE	33
TES 2	8	TGEX 10	19	TUA / TUAE / TCAE	30
TES 2	8	TGEX 20	17	TUB	38
TES 2	8	TGEX 20	18	TUB	38
TES 2	8	TGEX 20	19	TUB	38
TES 2	8	TGEX 40	17	TUB	38
TES 2	8	TGEX 40	18	TUB	38
TES 2	8	TGEX 40	19	TUB	38
TES 2	8	TGEZ 10	23	TUB	38

Table of contents - Type

TUB	38	VTZ038-G	381	VZH044	481
TUB	39	VTZ038-G	383	VZH044CG	470
TUB	39	VTZ038-J	378	VZH044CG	472
TUB	39	VTZ038-J	379	VZH044CJ	469
TUB	39	VTZ054	385	VZH044CJ	471
TUB	39	VTZ054-G	377	VZH044-T2	467
TUB	39	VTZ054-G	379	VZH044-T4	467
TUB	39	VTZ054-G	380	VZH088	468
TUB	39	VTZ054-G	381	VZH088	481
TUB	39	VTZ054-G	383	VZH088	481
TUB	39	VTZ054-J	378	VZH088	481
TUB	39	VTZ054-J	379	VZH088AG	475
TUB	39	VTZ086	385	VZH088AG	476
TUB	39	VTZ086 – 121	388	VZH088BG	473
TUBE	38	VTZ086-G	379	VZH088BG	474
TUBE	38	VTZ086-G	380	VZH088-G	468
TUBE	38	VTZ086-G	381	VZH088-J	468
TUBE	38	VTZ086-G	383	VZH117	468
TUBE	38	VTZ086-J	378	VZH117	481
TUBE	39	VTZ086-J	379	VZH117	481
TUBE	39	VTZ121	385	VZH117	481
TUBE	39	VTZ121-G	379	VZH117AG	475
TUBE	39	VTZ121-G	380	VZH117AG	476
TUBE	39	VTZ121-G	382	VZH117BG	473
TUBE	39	VTZ121-G	384	VZH117BG	474
TUBE	39	VTZ121-J	378	VZH117-G	468
TUBE	39	VTZ121-J	379	VZH117-J	468
TUBE	39	VTZ171	385	VZH170	468
TUBE	39	VTZ171 – 215	388	VZH170	481
TUBE	39	VTZ171-G	377	VZH170	481
TUBE	39	VTZ171-G	379	VZH170	481
TUBE	39	VTZ171-G	380	VZH170AG	475
TUBE	39	VTZ171-G	382	VZH170AG	476
TUBE	39	VTZ171-G	384	VZH170BG	473
TUBE	39	VTZ215	385	VZH170BG	474
TUB / TCBE	555	VTZ215-G	377	VZH170-G	468
TUB / TUBE / TCBE	36	VTZ215-G	379	VZH170-J	468
TUC / TCC	555	VTZ215-G	380		
TX 2	7	VTZ215-G	382	W	
TX 2	7	VTZ215-G	384	WVFX	555
TX 2	7	VTZ242-G	377	WVFX 10	143
TX 2	7	VZH028	467	WVFX 10	144
TX 2	7	VZH028	467	WVFX 15	143
TX 2	7	VZH028	467	WVFX 15	143
TX 2	8	VZH028	481	WVFX 15	144
TX 2	8	VZH028	481	WVFX 20	143
TX 2	8	VZH028CG	470	WVFX 20	143
TX 2	8	VZH028CG	472	WVFX 20	144
TX 2	8	VZH028CJ	469	WVFX 25	143
TX 2	8	VZH028CJ	471	WVFX 25	143
TZ 2	7	VZH028-T2	467	WVFX 25	144
TZ 2	7	VZH028-T4	467	WVFX 32	143
TZ 2	8	VZH035	467	WVFX 32	144
TZ 2	8	VZH035	467	WVFX 40	143
TZ 2	8	VZH035	467	WVFX 40	144
		VZH035	481	WVO	555
U		VZH035	481	WVO 10	143
UT	110	VZH035CG	470	WVO 10	144
UT 72	111	VZH035CG	472	WVO 15	143
UT 73	111	VZH035CJ	469	WVO 15	144
		VZH035CJ	471	WVS	555
V		VZH035-T2	467	WVS 32	143
VTZ038	385	VZH035-T4	467	WVS 32	144
VTZ038 – 054	388	VZH044	467	WVS 40	143
VTZ038-G	377	VZH044	467	WVS 40	144
VTZ038-G	379	VZH044	467	WVS 50	143
VTZ038-G	380	VZH044	481	WVS 50	144

WVS 65	143
WVS 65	144
WVS 80	143
WVS 80	144
WVS 100	143
WVS 100	144

Table of contents - Code numbers

2 x 023U8014	451	003N5203	143	009G7063	227
2 x 023U8014	451	003N5206	143	009G7064	227
2 x 023U8014	451	003N5207	143	009G7065	227
2 x 023U8014	451	003N5216	143	009G7066	227
2 x 023U8014	451	006-1107	267	009G7067	227
2 x 023U8014	451	006-1135	267	009G7069	228
2 x 023U8014	451	006-1137	267	009G7097	228
2 x 023U8014	451	006-1138	267	009G7098	228
2 x 023U8014	451	009G0101	231	009G7099	228
2 x 023U8014	451	009G0102	231	009G7958	228
2 x 023U8014	451	009G0105	231	009G7959	227
2 x 023U8014	451	009G0108	231	009G7960	227
2 x 023U8014	451	009G0122	231	009G7969	228
2 x 023U8014	451	009G0127	231	009G7970	228
003F1232	143	009G0128	231	009G7980	227
003F1240	143	009G0141	231	009G7981	227
003N0031	147	009G0142	231	014-0002	197
003N0032	147	009G0148	231	014-0004	197
003N0034	147	009G0168	231	014-0005	197
003N0041	147	009G0170	231	014-0006	197
003N0042	147	009G0181	231	014-0007	196
003N0043	147	009G0183	231	014-0008	196
003N0045	147	009G0184	231	014-0009	196
003N0046	147	009G0191	231	014-0021	196
003N0047	147	009G0202	231	014-0022	196
003N0107	147	009G0208	231	014-0024	196
003N0108	147	009G0222	231	014-0025	196
003N0109	147	009G0228	231	014-0026	196
003N0299	147	009G0242	231	014-0028	196
003N0388	143	009G0248	231	014-0034	196
003N1100	143	009G0262	231	014-0035	196
003N1105	143	009G0291	231	014-0036	196
003N1132	147	009G7000	228	014-0039	196
003N1144	147	009G7001	228	014-0040	196
003N1162	147	009G7002	228	014-0041	196
003N1182	147	009G7003	228	014-0042	196
003N1410	143	009G7020	227	014-0043	196
003N2100	143	009G7021	227	014-0044	196
003N2101	143	009G7022	227	014-0045	196
003N2104	143	009G7023	227	014-0047	196
003N2105	143	009G7024	227	014-0125	196
003N2132	147	009G7025	227	014-0126	196
003N2150	147	009G7026	227	014-0127	196
003N2162	147	009G7027	227	014-0128	196
003N2182	147	009G7028	227	014-0130	196
003N2205	143	009G7029	227	014-0131	197
003N2410	143	009G7030	227	014-0161	196
003N3100	143	009G7031	227	014-0162	196
003N3104	143	009G7032	227	014-0163	196
003N3105	143	009G7033	227	014-0165	196
003N3132	147	009G7034	227	014-0166	196
003N3150	147	009G7035	227	014-0171	196
003N3162	147	009G7036	227	014-0172	196
003N3165	147	009G7037	227	014-0173	196
003N3182	147	009G7050	227	014-0174	196
003N3205	143	009G7051	227	014-0175	196
003N3410	143	009G7052	227	014-0181	196
003N4100	143	009G7053	227	014-0182	196
003N4101	143	009G7054	227	014-0183	196
003N4104	143	009G7055	227	014-0184	196
003N4105	143	009G7056	227	014-0185	196
003N4132	147	009G7057	227	014-0186	196
003N4150	147	009G7058	227	014-0187	196
003N4162	147	009G7059	227	014-0191	196
003N4165	147	009G7060	227	014-0192	196
003N4182	147	009G7061	227	014-0193	196
003N4410	143	009G7062	227	014-0195	196

014-0201	196	014L0163	201	017-500366	107
014-0202	196	014L0165	201	017-500766	93
014-0203	196	014L0166	201	017-500866	107
014-0204	196	014L0171	201	017-501466	107
014-0206	196	014L0172	201	017-501966	93
014-1056	197	014L0173	201	017-502766	93
014-1056	201	014L0173	530	017-503166	94
014-1057	197	014L0173	532	017-503266	94
014-1057	201	014L0173	532	017-503466	94
014-1058	197	014L0173	532	017-503566	94
014-1058	201	014L0173	532	017-503666	107
014-1059	197	014L0173	532	017-503766 4)	107
014-1059	201	014L0173	532	017-504666	93
014-1067	197	014L0173	532	017-504766	93
014-1067	201	014L0173	532	017-505266	93
014-1068	197	014L0173	532	017-505366	107
014-1068	201	014L0174	201	017-506166	93
014-1069	197	014L0175	201	017-506366	107
014-1069	201	014L0181	201	017-506666	107
014-1071	197	014L0182	201	017-507566	94
014-1071	201	014L0182	530	017-507666	94
014-1072	197	014L0182	532	017-508366	107
014-1072	201	014L0182	532	017-508966	107
014-1073	197	014L0183	201	017-509766	107
014-1073	201	014L0184	201	017-509966	107
014-1074	197	014L0185	201	017-511566	107
014-1074	201	014L0186	201	017-511766	107
014-1084	197	014L0187	201	017-511866	107
014-1084	201	014L0191	201	017-513166	94
014-1154	197	014L0192	201	017-513366	94
014-1155	197	014L0193	201	017-513566	107
014-1603	197	014L0195	201	017-514666	94
014L0002	201	014L0201	201	017-514766	107
014L0004	201	014L0202	201	017-518766	94
014L0005	201	014L0203	201	017-518866	94
014L0006	201	014L0204	201	017-518966	94
014L0007	200	014L0206	201	017-523666	107
014L0008	200	014L1154	201	017-523766	93
014L0009	200	014L1155	201	017-524566	93
014L0021	200	014L1207	200	017-524666	93
014L0022	200	014L1603	201	017-527866	107
014L0024	200	016D0575	143	017-528566	107
014L0025	200	016D0576	143	017-529566	93
014L0026	200	016D0577	143	017D001366	93
014L0028	200	016D0578	143	017D001466	93
014L0034	200	016D0579	143	017D001566	93
014L0035	200	016D1017	143	017D001666	93
014L0036	200	016D1017	143	017D002166	93
014L0039	200	016D1017	143	017D002266 2)	93
014L0040	200	016D1017	143	017D002366	93
014L0041	200	016D1017	143	017D002466	93
014L0042	200	016D1017	143	017D002566	93
014L0043	200	016D1018	143	017D004366	94
014L0044	200	016D1018	143	017D007266	93
014L0045	200	016D1018	143	017L001666	93
014L0047	200	016D1018	143	017L001766 2)	93
014L0080	200	016D1018	143	017L002466	107
014L0086	200	016D1018	143	017L003066	107
014L0087	200	016D1327	143	017L003166	107
014L0125	200	016D5032	143	017L003266	93
014L0126	200	016D5040	143	017L003366	93
014L0127	200	016D5050 1)	143	017L003466	107
014L0128	200	016D5050 1)	143	017L004066 2)	93
014L0130	200	016D5080 1)	143	017L004266 2)	93
014L0131	201	016D5100 1)	143	017L006266	107
014L0161	201	017-500166	93	018F4100	85
014L0162	201	017-500266	93	018F4102	85

Table of contents - Code numbers

018F4103	85	018F6714	58	018Z6127	84
018F4104	85	018F6714	83	020-1008	264
018F4110	85	018F6715	58	020-1010	263
018F4112	85	018F6715	83	020-1011	263
018F4113	85	018F6730	83	020-1012	263
018F4114	85	018F6732	58	020-1014	263
018F4115	85	018F6732	83	020-1015	263
018F4120	85	018F6780	58	020-1016	263
018F4122	85	018F6780	62	020-1017	263
018F4123	85	018F6781 1)	58	020-1018	263
018F4130	85	018F6781 1)	62	020-1019	263
018F4131	85	018F6783	62	020-1020	263
018F4132	85	018F6801	58	020-1021	263
018F4133	85	018F6801	83	020-1023	264
018F4134	85	018F6802	58	020-1025	263
018F4135	85	018F6802	83	020-1026	263
018F6176	58	018F6803	83	020-1027	263
018F6176	84	018F6807	58	020-1029	264
018F6177	58	018F6807	62	020-1032	264
018F6177	84	018F6807	83	020-1033	264
018F6179	84	018F6809	83	020-1034	264
018F6182	58	018F6811	58	020-1035	264
018F6182	62	018F6811	62	020-1036	264
018F6182	84	018F6811	83	020-1037	264
018F6185	58	018F6813	58	020-1038	264
018F6185	62	018F6813	62	020-1039	264
018F6185	84	018F6813	83	020-1040	263
018F6189	58	018F6814	58	020-1041	263
018F6189	84	018F6814	83	020-1042	263
018F6192	84	018F6815	58	020-1043	263
018F6193	58	018F6815	62	020-1044	263
018F6193	84	018F6815	83	020-1046	264
018F6251	83	018F6851	58	020-1050	263
018F6252	83	018F6851	62	020-1051	263
018F6253	83	018F6851	83	020-1052	263
018F6257	83	018F6856	83	020-1053	263
018F6260	83	018F6857	83	020-1054	263
018F6264	83	018F6859	83	020-1055	263
018F6265	83	018F6860	83	020-1056	263
018F6278 1)	58	018F6861	83	020-1057	263
018F6278 1)	62	018F6881	83	020-1058	263
018F6279 1)	58	018F6886	83	020-1059	263
018F6279 1)	62	018F6887	83	020-1060	263
018F6280	83	018F6889	83	020-1061	263
018F6282	83	018F6890	83	020-1062	264
018F6288 1)	58	018F6901	58	020-1063	264
018F6288 1)	62	018F6901	62	020-1064	264
018F6701	58	018F6901 1)	84	020-1065	264
018F6701	83	018F6902	58	020-1066	264
018F6702	58	018F6902	62	020-1067	264
018F6702	83	018F6902 1)	84	020-1068	264
018F6703	83	018F6905	58	020-1069	264
018F6704	83	018F6905 1)	84	020-1070	264
018F6706	83	018F6991 1)	58	020-1071	264
018F6707	58	018F6991 1)	62	020-1072	264
018F6707	62	018F7351	84	020-1073	264
018F6707	83	018F7352	84	020-1132	131
018F6708	83	018F7358	84	020-1136	131
018F6709	83	018F7360	84	020-2000	267
018F6710	58	018F7361	84	020-2001	267
018F6710	62	018F7363	84	020-2002	267
018F6710	83	018Z0089	84	020-2003	267
018F6711	58	018Z6120	84	020-2004	267
018F6711	62	018Z6121	84	020-2005	267
018F6711	83	018Z6122	84	020-2006	267
018F6713	58	018Z6123	84	020-2020	267
018F6713	83	018Z6125	84	020-2020	267

020-2022	267	023U7262	184	023Z1401	192
020-2022	267	023U7263	184	023Z1402	192
020-2024	267	023U7264	184	023Z1403	192
020-2024	267	023U7265	184	023Z1404	192
020-2026	267	023U7267	184	023Z1405	192
020-2307	267	023U7268	184	023Z1406	192
020-2307	267	023U7269	184	023Z1407	192
020-2317	267	023U7270	184	023Z1408	192
020-2317	267	023U7272	184	023Z1409	192
020-2327	267	023U7273	184	023Z1410	188
020-2327	267	023U7274	184	023Z1411	188
020-2337	267	023U7275	184	023Z1412	188
020-4000	264	023U7276	184	023Z1413	188
020-4300	264	023U7278	184	023Z1414	188
023U1391	185	023U7281	184	023Z1415	188
023U1392	185	023U7282	184	023Z1417	188
023U1393	185	023U7290	184	023Z1418	188
023U1921	185	023U7297	184	023Z1419	188
023U4380	185	023U7303	184	023Z1422	188
023U4381	185	023U7463	184	023Z1424	188
023U4382	185	023U7562	185	023Z1432	192
023U5380	185	023U7563	185	023Z1433	192
023U5381	185	023U7571	184	023Z1434	192
023U5382	185	023U8016 + 023U8014	451	023Z1435	192
023U7050	183	023U8016 + 023U8014	451	023Z1436	192
023U7051	183	023Z0049	169	023Z1437	192
023U7052	183	023Z0050	169	023Z1438	192
023U7053	183	023Z0051	169	023Z1439	192
023U7054	183	023Z0067	170	023Z1440	192
023U7055	183	023Z0068	170	023Z1441	188
023U7056	183	023Z0069	170	023Z1442	188
023U7057	183	023Z0070	170	023Z1443	188
023U7058	183	023Z0071	170	023Z1444	188
023U7059	183	023Z0072	170	023Z1445	188
023U7060	183	023Z0073	170	023Z1446	188
023U7061	183	023Z0074	170	023Z1447	188
023U7062	183	023Z0108	169	023Z1448	188
023U7063	183	023Z0109	169	023Z1449	188
023U7064	183	023Z0110	169	023Z5035 1)	169
023U7065	183	023Z0111	170	023Z5036 1)	169
023U7066	183	023Z0112	170	023Z5037	169
023U7067	183	023Z0113	170	023Z5038	169
023U7068	183	023Z0114	170	023Z5039	169
023U7069	183	023Z0117	170	023Z5040	169
023U7070	183	023Z0118	170	023Z5040	530
023U7071	183	023Z0189	169	023Z5040	532
023U7072	183	023Z0193	169	023Z5041	169
023U7073	183	023Z0195	169	023Z5041	530
023U7074	183	023Z1002	175	023Z5041	532
023U7076	183	023Z1004	175	023Z5042	169
023U7082	184	023Z1005	175	023Z5043	169
023U7083	184	023Z1006	175	023Z5044	169
023U7086	183	023Z1007	175	023Z5044	530
023U7151	183	023Z1008	175	023Z5044	532
023U7161	183	023Z1009	175	023Z5045	169
023U7250	184	023Z1010	175	023Z5046	169
023U7251	184	023Z1011	175	023Z5048 1)	170
023U7252	184	023Z1012	175	023Z5049	170
023U7253	184	023Z1013	175	023Z5050	170
023U7254	184	023Z1014	175	023Z5051	170
023U7255	184	023Z1015	175	023Z5052	170
023U7256	184	023Z1016	175	023Z5053	170
023U7257	184	023Z1017	175	023Z5054	170
023U7258	184	023Z1018	175	023Z5055	170
023U7259	184	023Z1019	175	023Z5057	170
023U7260	184	023Z1020	175	023Z5058	170
023U7261	184	023Z1400	192	023Z5059	170

Table of contents - Code numbers

023Z5060	170	027H1181	156	027H2078	160
023Z5061	170	027H1182	156	027H2079	160
023Z5063	170	027H1186	156	027H2080	160
023Z5064	170	027H1194	156	027H2081	160
023Z5065	170	027H2000	154	027H2083	160
023Z5066	170	027H2001	154	027H2084	160
023Z5067	170	027H2002	154	027H2085	160
023Z5068	170	027H2003	154	027H2086	160
023Z5069	170	027H2004	154	027H2088	160
023Z5071	170	027H2005	154	027H2089	160
023Z5072	170	027H2006	154	027H2090	160
023Z5073	169	027H2007	154	027H2091	160
023Z5090	169	027H2008	154	027H2093	160
023Z5100	170	027H2009	154	027H2094	160
023Z5101	170	027H2010	154	027H2095	160
023Z5117	170	027H2011	154	027H2096	160
023Z5121	170	027H2012	154	027H2098	160
023Z8246	170	027H2013	154	027H2099	160
023Z8253	170	027H2014	154	027H2100	160
023Z8402	173	027H2015	154	027H2101	160
023Z8405	173	027H2016	154	027H2103	160
023Z8406	173	027H2020	160	027H2104	160
023Z8407	173	027H2021	160	027H2105	160
023Z8408	173	027H2023	160	027H2106	160
023Z8409	173	027H2024	160	027H2108	160
023Z8410	173	027H2025	160	027H2109	160
023Z8411	173	027H2026	160	027H2110	161
023Z8412	173	027H2028	160	027H2111	161
023Z8415	173	027H2029	160	027H2112	161
023Z8416	173	027H2030	160	027H2113	161
023Z8417	173	027H2031	160	027H2114	161
023Z8418	173	027H2033	160	027H2115	161
023Z8419	173	027H2034	160	027H2116	161
027G1001	78	027H2035	160	027H2118	161
027G1002	78	027H2036	160	027H2120	156
027G1005	78	027H2038	160	027H2120	162
027G1006	78	027H2039	160	027H2121	156
027H0180	155	027H2040	160	027H2121	162
027H0181	155	027H2041	160	027H2122	156
027H1020	154	027H2043	160	027H2122	162
027H1021	154	027H2044	160	027H2123	156
027H1022	154	027H2045	160	027H2123	162
027H1025	154	027H2046	160	027H2124	156
027H1030	154	027H2048	160	027H2124	162
027H1031	154	027H2049	160	027H2125	156
027H1032	154	027H2050	160	027H2125	162
027H1035	154	027H2051	160	027H2126	156
027H1036	154	027H2053	160	027H2126	162
027H1040	154	027H2054	160	027H2127	156
027H1041	154	027H2055	160	027H2127	162
027H1045	154	027H2056	160	027H2128	156
027H1046	154	027H2058	160	027H2128	162
027H1047	154	027H2059	160	027H2129	156
027H1050	154	027H2060	161	027H2129	162
027H1051	154	027H2061	161	027H2130	156
027H1052	154	027H2062	161	027H2130	162
027H1129	156	027H2063	161	027H2131	156
027H1132	156	027H2064	161	027H2131	162
027H1145	156	027H2065	161	027H2132	156
027H1148	156	027H2066	161	027H2132	162
027H1151	156	027H2068	161	027H2133	156
027H1154	156	027H2070	160	027H2133	162
027H1157	156	027H2071	160	027H2134	156
027H1160	156	027H2073	160	027H2134	162
027H1163	156	027H2074	160	027H2135	156
027H1166	156	027H2075	160	027H2135	162
027H1180	156	027H2076	160	027H2140	160

027H2142	160	027H4002	154	027H5041	88
027H2143	160	027H4003	154	027H5042	88
027H2145	160	027H4004	154	027H5120	89
027H2146	160	027H4005	154	027H5120	157
027H2148	160	027H4006	154	027H5120	163
027H2172 2)	162	027H4007	154	027H5121	89
027H2173 3)	162	027H4008	154	027H5121	157
027H2180	156	027H4009	154	027H5121	163
027H2181	156	027H4010	154	027H5122	89
027H2200 1)	162	027H4020	161	027H5122	157
027H2201 1)	162	027H4021	161	027H5122	163
027H2202 1)	162	027H4022	161	027H5123	89
027H2203 1)	162	027H4023	161	027H5123	157
027H2204 1)	162	027H4024	161	027H5123	163
027H3000	154	027H4030	161	027H5124	89
027H3001	154	027H4031	161	027H5124	157
027H3002	154	027H4032	161	027H5124	163
027H3003	154	027H4033	161	027H5125	89
027H3004	154	027H4034	161	027H5125	157
027H3005	154	027H4040	88	027H5125	163
027H3006	154	027H4041	88	027H5172 2)	163
027H3007	154	027H4042	88	027H5173 3)	163
027H3008	154	027H4120	89	027H5180	157
027H3012	154	027H4120	157	027H5181	157
027H3020	161	027H4120	163	027H5200 1)	163
027H3021	161	027H4121	89	027H5204	89
027H3022	161	027H4121	157	027H6001	154
027H3023	161	027H4121	163	027H6003	154
027H3030	161	027H4122	89	027H6005	154
027H3031	161	027H4122	157	027H6007	154
027H3032	161	027H4122	163	027H6009	154
027H3033	161	027H4123	89	027H6010	154
027H3040	88	027H4123	157	027H6012	154
027H3041	88	027H4123	163	027H6020	161
027H3042	88	027H4124	89	027H6021	161
027H3120	89	027H4124	157	027H6023	161
027H3120	157	027H4124	163	027H6024	161
027H3120	162	027H4126	89	027H6025	161
027H3121	89	027H4126	157	027H6030	161
027H3121	157	027H4126	163	027H6031	161
027H3121	162	027H4127	89	027H6033	161
027H3122	89	027H4127	157	027H6034	161
027H3122	157	027H4127	163	027H6035	161
027H3122	162	027H4172 2)	163	027H6040	88
027H3123	89	027H4173 3)	163	027H6041	88
027H3123	157	027H4180	157	027H6042	88
027H3123	162	027H4181	157	027H6120	90
027H3125	89	027H4200 1)	163	027H6120	157
027H3125	157	027H4204	89	027H6120	163
027H3125	162	027H5000	154	027H6121	90
027H3126	89	027H5001	154	027H6121	157
027H3126	157	027H5002	154	027H6121	163
027H3126	162	027H5003	154	027H6122	157
027H3127	89	027H5004	154	027H6122	163
027H3127	157	027H5005	154	027H6123	90
027H3127	162	027H5006	154	027H6123	157
027H3128	89	027H5007	154	027H6123	163
027H3128	157	027H5008	154	027H6124	90
027H3128	162	027H5020	161	027H6124	157
027H3172 2)	162	027H5021	161	027H6124	163
027H3173 3)	162	027H5022	161	027H6125	90
027H3180	157	027H5023	161	027H6125	157
027H3181	157	027H5030	161	027H6125	163
027H3200 1)	162	027H5031	161	027H6126	90
027H3204	89	027H5032	161	027H6126	157
027H4000	154	027H5033	161	027H6126	163
027H4001	154	027H5040	88	027H6127	90

Table of contents - Code numbers

027H6127	157	027L3002	293	027L3360	296
027H6127	163	027L3003	293	027L3361	296
027H6172 2)	163	027L3004	293	027L3363	296
027H6173 3)	163	027L3009	293	027L3364	296
027H6180	157	027L3011	293	027L3365	295
027H6181	157	027L3012	293	027L3367	294
027H6200 1)	163	027L3013	293	027L3371	296
027H6204	90	027L3018	293	027L3372	296
027H7120	161	027L3020	293	027L3373	293
027H7121	161	027L3021	293	027L3374	294
027H7122	161	027L3022	293	027L3375	296
027H7130	155	027L3028	294	027L3376	296
027H7131	155	027L3029	294	027L3379	296
027H7140	161	027L3034	294	027L3380	296
027H7141	161	027L3036	294	027L3383	293
027H7142	161	027L3037	294	027L3385	296
027H7147	88	027L3042	294	027L3387	296
027H7148	88	027L3043	294	027L3400	293
027H7150	155	027L3047	294	027L3401	293
027H7151	155	027L3048	294	027L3406	293
027H7157	88	027L3053	296	027L3407	293
027H7158	88	027L3056	296	027L3410	293
027H7160	161	027L3060	294	027L3411	293
027H7161	161	027L3061	294	027L3414	293
027H7162	161	027L3062	294	027L3415	293
027H7167	88	027L3067	295	027L4002	293
027H7168	88	027L3068	295	027L4006	293
027H7170	155	027L3069	295	027L4011	293
027H7171	155	027L3073	293	027L4012	293
027H7184	50	027L3075	293	027L4016	293
027H7185	50	027L3076	293	027L4020	293
027H7186	50	027L3077	293	027L4024	293
027H7187	50	027L3083	295	027L4029	293
027H7188	50	027L3084	295	027L4034	293
027H7200	54	027L3085	295	027L4038	294
027H7201	54	027L3089	295	027L4042	294
027H7202	54	027L3092	296	027L4043	294
027H7230	50	027L3095	295	027L4054	294
027H7230	54	027L3097	295	027L4059	294
027H8020	161	027L3103	295	027L4063	295
027H8021	161	027L3108	295	027L4067	295
027H8030	161	027L3109	295	027L4072	295
027H8031	161	027L3120	295	027L4076	293
027H8040	88	027L3121	296	027L4080	293
027H8042	88	027L3123	296	027L4081	293
027H8200 1)	163	027L3133	296	027L4085	293
027H9075	155	027L3134	296	027L4090	293
027H9077	155	027L3141	296	027L4094	295
027H9120	155	027L3144	296	027L4099	295
027H9122	155	027L3147	294	027L4103	295
027L1116	69	027L3148	294	027L4107	295
027L1116	78	027L3149	294	027L4121	294
027L1117	69	027L3151	294	027L4126	294
027L1117	78	027L3152	296	027L4130	294
027L1122	69	027L3153	294	027L4133	294
027L1122	78	027L3155	296	027L4135	293
027L1123	69	027L3156	296	027L4143	296
027L1123	78	027L3157	294	027L4148	294
027L1222	69	027L3161	294	027L4151	296
027L1222	78	027L3322	294	027L4155	295
027L1223	69	027L3325	294	027L4157	296
027L1223	78	027L3328	294	027L4160	296
027L1228	69	027L3329	294	027L4161	296
027L1228	78	027L3333	295	027L4162	296
027L1229	69	027L3334	295	027L4164	295
027L1229	78	027L3345	295	027L4165	295
027L3000	293	027L3346	295	027L4166	296

027L4167	296	032F1216	69	032F7110	72
027L4168	296	032F1217	68	032F7115	72
027L4169	293	032F1218	68	032F7116	72
027L4517	81	032F1224	69	032F7117	72
027L4518	81	032F1225	68	032F7121	72
027L4519	81	032F1227	68	032F7122	72
027L4520	294	032F1228	68	032F7125	72
027L4521	295	032F1234	69	032F7130	72
027L4522	295	032F1236	68	032F7137	72
027L4523	296	032F1240	68	032F7144	72
027L4524	293	032F1243	69	032F7145	72
027L4525	295	032F1244	68	032F7146	72
027L4532	294	032F1245	68	032F7148	72
027L4533	294	032F1253	69	032F7149	72
027L4535	294	032F1254	68	032F8056	67
027N1112	78	032F1255	69	032F8071	72
027N1115	69	032F1258	69	032F8072	67
027N1115	78	032F1260	68	032F8079	67
027N1120	69	032F1264	68	032F8085	67
027N1120	78	032F1269	68	032F8090	67
027N1220	69	032F1273	69	032F8095	67
027N1220	78	032F1274	68	032F8098	67
027N1225	69	032F1279	68	032F8100	67
027N1225	78	032F1290	68	032F8101	67
027N1230	78	032F1291	68	032F8106	72
027N2001	78	032F1295	68	032F8107	67
027N2002	78	032F1296	68	032F8115	72
027N2010	78	032F1299	68	032F8116	67
027N2011	78	032F2200	68	032G1054	69
027N2020	78	032F2201	68	032G1055	69
027N2021	78	032F2205	68	032G1056	69
027N2022	78	032F2206	68	032G1057	69
027N3031	78	032F2207	68	032G1058	69
027N3032	78	032F2208	68	032G1059	69
027N3033	78	032F3050	78	032G1062	69
027N3050	143	032F3080	75	032G1081	69
027N3065	143	032F3081	75	034G0013	50
027N3080	143	032F3082	75	034G0013	54
027N3100	143	032F3083	75	034G0501	46
032F0197	69	032F3084	75	034G0505	46
032F1004	72	032F3085	75	034G0507	46
032F1157	72	032F3102xx *)	77	034G0508	46
032F1162	72	032F3103xx *)	77	034G0515	47
032F1164	73	032F3267	68	034G1704	46
032F1166	72	032F3268	68	034G1705	46
032F1168	72	032F3270	68	034G1706	46
032F1169	73	032F5437	75	034G1708	46
032F1171	72	032F5438	75	034G1714	47
032F1172	72	032F6208xx *)	77	034G2200	47
032F1174	73	032F6210	78	034G2201	47
032F1176	72	032F6211	78	034G2202	47
032F1177	72	032F6212xx *)	77	034G2203	47
032F1188	72	032F6213xx *)	77	034G2205	47
032F1189	73	032F6213xx *)	77	034G2323	47
032F1190	73	032F6214	78	034G2323	50
032F1193	73	032F6215	78	034G2323	54
032F1194	73	032F6216	78	034G2330	47
032F1201	68	032F6217xx *)	77	034G2331	47
032F1202	68	032F6219	78	034G2600	46
032F1204	68	032F6220	78	034G2601	46
032F1206	68	032F6221	78	034G2602	46
032F1207	68	032F6222xx *)	77	034G2611	46
032F1208	68	032F6223xx *)	77	034G2850	150
032F1209	68	032F6225	78	034G2851	150
032F1212	68	032F6226	78	034G2852	150
032F1213	68	032F7100	72	034G2858	150
032F1214	68	032F7105	72	034G3500	46

Table of contents - Code numbers

034G3501	46	034L0144	139	042H2029	57
034G4200	46	034L0146	139	042H2029	57
034G4201	46	034L0147	139	042H2030	57
034G4202	46	034L0171	137	042N0156	84
034G4203	46	034L0172	137	060-001066 3)	97
034G4204	46	034L0173	137	060-1067	111
034G4205	46	034L0176	137	060-1090	111
034G4206	46	034L0177	137	060-1090	111
034G4207	46	034N0081	141	060-1096	111
034G4208	46	034N0082	141	060-017166	143
034G4209	46	034N0083	141	060-110166 3)	97
034G4210	46	034N0084	141	060-110366	97
034G4211	46	040B0010	299	060-110966	97
034G4212	46	040B0010 + 2 × 040B0132	299	060-111066 3)	97
034G4213	46	040B0010 + 2 × 040B0134	299	060-111166	97
034G4214	46	040B0010 + 2 × 040B0136	299	060-111266 3)	97
034G4215	46	040B0010 + 2 × 040B0140	299	060-112066 3)	97
034G4219	47	040B0010 + 2 × 040B0142	299	060-112366 3)	97
034G4220	47	040B0010 + 2 × 040B0144	299	060-114166 1) 3)	97
034G4252	150	040B0023	299	060-114866 1)	97
034G4253	150	040B0029	299	060-115366	98
034G5005	43	040B0040	299	060-115466 3)	97
034G5005	43	040B0040 + 2 × 040B0256	299	060-116066 2)	98
034G5015	43	040B0040 + 2 × 040B0264	299	060-116166	98
034G5015	43	040B0040 + 2 × 040B0266	299	060-116266	98
034G5026	43	040B0040 + 2 × 040B0268	299	060-117166 3)	97
034G5026	43	040B0040 + 2 × 040B0270	299	060-117366	97
034G5035	43	040B0040 + 2 × 040B0274	299	060-117766 3)	97
034G5035	43	042H1103	68	060-117966 3)	97
034G5055	43	042H1104	68	060-118066	97
034G5055	43	042H1105	68	060-119066 3)	97
034G5065	43	042H1106	68	060-119166	97
034G5065	43	042H1107	68	060-119266 3)	97
034G5105	43	042H1108	68	060-120066	97
034G5115	43	042H1109	68	060-120366 3)	97
034G5135	43	042H1110	68	060-120566	98
034G5145	43	042H1111	68	060-122066	97
034L0021	133	042H1112	68	060-123066 2)	98
034L0022	133	042H1113	68	060-123166	98
034L0023	133	042H1114	68	060-124166 3)	97
034L0025	133	042H1126	78	060-124366	97
034L0026	133	042H1128	78	060-124566	97
034L0028	133	042H1131	78	060-125466 3)	97
034L0029	133	042H1132	78	060-126166	97
034L0031	133	042H1140	78	060-126466	97
034L0032	133	042H1141	78	060-126566 3)	97
034L0041	135	042H1142	78	060-126766 3)	97
034L0042	135	042H1143	78	060-126866	97
034L0043	135	042H1176	73	060-127466	97
034L0045	135	042H1177	73	060-127566 3)	97
034L0046	135	042H1178	73	060-127666 3)	97
034L0048	135	042H1179	73	060-128366	98
034L0049	135	042H1180	73	060-128466	97
034L0051	135	042H1181	73	060-129366 2)	98
034L0052	135	042H1188	73	060-129466	98
034L0091	131	042H2020	57	060-129566	98
034L0092	131	042H2020	57	060-129666	98
034L0093	131	042H2021	57	060-129966 3)	97
034L0094	131	042H2022	57	060-519066 3)	97
034L0095	131	042H2022	57	060-519166	97
034L0096	131	042H2023	57	060-530066	98
034L0097	131	042H2024	57	060-530266	98
034L0099	131	042H2025	57	060-530466	98
034L0100	131	042H2026	57	060-530666	98
034L0141	139	042H2027	57	060-539766	530
034L0142	139	042H2027	57	060-539766	532
034L0143	139	042H2028	57	060-539766 3) 5)	97

060B013366	101	060L112866 3) 4)	109	061H3142	531
060B016666	101	060L113166	109	061H3142	531
060B016766	101	060L113766	109	061H3142	531
060B016866	101	060L113866	109	061H3142	531
060B016966	101	060L114066	109	061H3142	531
060B017066	101	060L114366	109	061H3142	531
060B017166	101	060L115566	109	061H3142	531
060B017266	101	060L116866	109	061H3142	531
060B017366	101	061F7400	105	061H3142	531
060B017466	101	061F7402	105	061H3142	531
060B017566	101	061F7504	105	061H3142	531
060B017666	101	061F7505	105	061H3142	533
060B017766	101	061F7506	105	061H3142	533
060B017866 1)	101	061F7507	105	061H3142	533
060B017966 1)	101	061F7508	105	061H3142	533
060B018266	101	061F7509	105	061H3142	533
060B018366	101	061F7510	105	061H3142	533
060B018466	101	061F7513	105	061H3142	533
060B018566	101	061F7514	105	061H3142	533
060B029666	101	061F7515	105	061H3142	533
060B029766	101	061F7516	105	061H3142	533
060B029866 2)	101	061F7517	105	067B2708	13
060B029966	101	061F7518	105	067B2709	13
060B200266	101	061F7519	105	067B2710	13
060B200366 2)	101	061F7520	105	067B2771	13
060B200666	101	061F7521	105	067B2773	13
060B200766	101	061F7522	105	067B2788	13
060B200866	101	061F7523	105	067B2789	13
060B201266 1)	101	061F7524	105	067B2790	13
060B205066	101	061F7525	105	067B2791	13
060B205366 2)	101	061F7526	105	067B2792	13
060B205466	101	061F8333	105	067B3207	12
060B205766	101	061F8334	105	067B3209	12
060B530066	102	061F8490	105	067B3210	12
060G1036	313	061F8491	105	067B3211	12
060G1323	313	061F8492	105	067B3212	12
060G2049	313	061F8493	105	067B3213	12
060H1101	111	061F8494	105	067B3227	12
060H1102	111	061F8700	105	067B3232	11
060H1103 1)	111	061F8701	105	067B3233	11
060H1104	111	061F8702	105	067B3249	12
060H1105	111	061F8703	105	067B3250	12
060H1106	111	061F8704	105	067B3251	12
060H1201	111	061F8705	105	067B3253	12
060H1202	111	061F8706	105	067B3263	12
060H1205	111	061F8707	105	067B3267	12
060L110066	109	061F8708	105	067B3273	12
060L110166	109	061F8710	105	067B3274	12
060L110266	109	061F9052	105	067B3275	12
060L110366 3)	109	061F9053	105	067B3276	12
060L110466	109	061F9054	105	067B3277	11
060L110566	109	061F9055	105	067B3278	11
060L110666	109	061F9056	105	067B3286	12
060L110766	109	061F9057	105	067B3287	12
060L110866	109	061F9058	105	067B3290	12
060L111066 3) 4)	109	061F9102	105	067B3292	11
060L111166	109	061F9106	105	067B3293	11
060L111266	109	061F9242	105	067B3297	11
060L111366	109	061F9243	105	067B3298	11
060L111566	109	061F9522	105	067B3342	11
060L111766	109	061F9575	105	067B3343	11
060L111866 3)	109	061F9703	105	067B3344	11
060L112066	109	061F9713	105	067B3345	11
060L112166	109	061F9714	105	067B3346	11
060L112266	109	061H3142	531	067B3347	11
060L112566	109	061H3142	531	067B3348	11
060L112666	109	061H3142	531	067B3349	11

Table of contents - Code numbers

067B3350	11	067G3223	11	067N2192	17
067B3351	11	067G3230	11	067N2193	17
067B3352	11	067G3240	11	067N2194	17
067B3353	11	067G3241	11	067N2195	17
067B3354	11	067G3301	11	067N2196	17
067B3355	11	067G3302	11	067N2197	17
067B3356	11	067G3303	11	067N2198	17
067B3357	11	067G3304	11	067N2199	17
067B3358	11	067G3305	11	067N2200	17
067B3363	11	067G3306	11	067N2201	17
067B3366	11	067G4001	14	067N2203	17
067B3367	11	067G4002	14	067N2205	17
067B3370	11	067G4003	14	067N2206	17
067B3371	11	067G4004	14	067N2207	17
067B3372	11	067N0559	12	067N3000	26
067B3501	12	067N2000	18	067N3001	26
067B3502	12	067N2001	18	067N3002	26
067B3503	12	067N2002	18	067N3003	26
067B3504	12	067N2003	18	067N3005	26
067B3531	12	067N2004	18	067N3006	26
067B3532	12	067N2005	18	067N3007	26
067B3533	12	067N2006	18	067N3008	26
067B3560	12	067N2007	18	067N3009	26
067B3561	12	067N2008	18	067N3010	26
067B3562	12	067N2009	18	067N3011	26
067B4002	14	067N2010	18	067N3012	26
067B4003	14	067N2011	18	067N3013	26
067B4004	14	067N2012	18	067N3014	26
067B4005	14	067N2013	18	067N3015	26
067B4007	14	067N2014	18	067N3016	26
067B4008	14	067N2015	18	067N3018	26
067B4009	14	067N2016	18	067N3019	26
067B4010	14	067N2017	18	067N3049	26
067B4011	14	067N2018	18	067N3150	25
067B4012	14	067N2019	18	067N3151	25
067B4013	14	067N2040	18	067N3152	25
067B4015	14	067N2041	18	067N3153	25
067B4016	14	067N2044	18	067N3154	25
067B4016	14	067N2045	18	067N3155	25
067B4017	14	067N2046	18	067N3156	25
067B4017	14	067N2048	18	067N3157	25
067B4020	14	067N2049	18	067N3158	25
067B4021	14	067N2050	18	067N3159	25
067B4021	14	067N2051	18	067N3160	25
067B4023	14	067N2052	18	067N3161	25
067B4023	14	067N2057	18	067N3162	25
067B4025	14	067N2150	17	067N3163	25
067B4026	14	067N2151	17	067N3164	25
067B4027	14	067N2152	17	067N3165	25
067B4032	14	067N2153	17	067N3166	25
067B4033	14	067N2154	17	067N3168	25
067B4034	14	067N2155	17	067N3169	25
067B4035	14	067N2156	17	067N3192	25
067B4036	14	067N2157	17	067N3194	25
067B4037	14	067N2158	17	067N3195	25
067G2701	13	067N2159	17	067N3196	25
067G2704	13	067N2160	17	067N3197	25
067G2705	13	067N2161	17	067N3202	25
067G2707	13	067N2162	17	067N3203	25
067G2710	13	067N2163	17	067N3205	25
067G3205	12	067N2164	17	067N4000	24
067G3206	12	067N2165	17	067N4002	24
067G3207	12	067N2166	17	067N4003	24
067G3209	12	067N2167	17	067N4004	24
067G3217	12	067N2168	17	067N4005	24
067G3220	12	067N2169	17	067N4006	24
067G3222	11	067N2191	17	067N4007	24

067N4008	24	067N5043	21	067N7161	22
067N4009	24	067N5046	21	067N7163	22
067N4010	24	067N5047	21	067N7164	22
067N4011	24	067N5048	21	067N7165	22
067N4012	24	067N5053	21	067N7166	22
067N4013	24	067N5055	21	067N7167	22
067N4014	24	067N5057	21	067N7168	22
067N4015	24	067N5060	21	067N9100	28
067N4017	24	067N5150	20	067N9101	28
067N4018	24	067N5152	20	067N9103	28
067N4019	24	067N5153	20	067N9104	28
067N4041	24	067N5154	20	067N9106	28
067N4043	24	067N5156	20	067N9108	28
067N4046	24	067N5157	20	067N9200	27
067N4047	24	067N5158	20	067N9201	27
067N4049	24	067N5159	20	067N9202	27
067N4053	24	067N5160	20	067N9203	27
067N4151	23	067N5161	20	067N9205	27
067N4152	23	067N5162	20	067N9206	27
067N4153	23	067N5163	20	067N9207	27
067N4154	23	067N5165	20	067N9208	27
067N4155	23	067N5166	20	067N9209	27
067N4156	23	067N5167	20	067N9210	27
067N4157	23	067N5168	20	067N9211	27
067N4158	23	067N5169	20	067N9212	27
067N4159	23	067N5190	20	067N9213	27
067N4160	23	067N5191	20	067N9214	27
067N4161	23	067N5192	20	067N9215	27
067N4162	23	067N5193	20	067N9216	27
067N4163	23	067N5195	20	067N9217	27
067N4165	23	067N5196	20	067N9218	27
067N4166	23	067N5197	20	067N9219	27
067N4167	23	067N5208	20	067N9240	27
067N4168	23	067N5254	20	067N9241	27
067N4169	23	067N5255	20	067N9242	27
067N4190	23	067N6150	28	067N9243	27
067N4191	23	067N6151	28	067N9244	27
067N4192	23	067N6154	28	067N9245	27
067N4193	23	067N6155	28	067N9246	27
067N4194	23	067N6158	28	067N9247	27
067N4195	23	067N6162	28	067N9248	27
067N4196	23	067N6166	28	067N9249	27
067N4197	23	067N6181	28	067N9250	27
067N4199	23	067N6186	28	067N9251	27
067N4200	23	067N6188	28	067N9252	27
067N4202	23	067N7000	22	067N9253	27
067N4203	23	067N7002	22	067N9254	27
067N4204	23	067N7003	22	067N9255	27
067N4206	23	067N7004	22	067N9256	27
067N4208	23	067N7008	22	067N9257	27
067N4209	23	067N7010	22	067N9258	27
067N5000	21	067N7012	22	067N9259	27
067N5002	21	067N7013	22	067N9283	27
067N5003	21	067N7015	22	067N9284	27
067N5004	21	067N7016	22	067N9285	27
067N5005	21	067N7017	22	067N9287	27
067N5006	21	067N7018	22	067N9288 2)	27
067N5007	21	067N7019	22	067N9400	19
067N5008	21	067N7020	22	067N9402	19
067N5009	21	067N7021	22	067N9403	19
067N5010	21	067N7150	22	067N9404	19
067N5011	21	067N7152	22	067N9406	19
067N5013	21	067N7153	22	067N9407	19
067N5015	21	067N7154	22	067N9409	19
067N5017	21	067N7157	22	067N9411	19
067N5018	21	067N7158	22	067N9412	19
067N5019	21	067N7160	22	067N9413	19

Table of contents - Code numbers

067N9415	19	068F5283	62	068U2015	39
067N9418	19	068F5283	62	068U2016	39
067N9419	19	068F5284	62	068U2017	39
067N9482	19	068F5284	62	068U2020	39
067N9483	19	068F5284	62	068U2021	39
068-0003	9	068U1030	33	068U2022	39
068-0015	9	068U1031	33	068U2023	39
068-2002	9	068U1032	33	068U2024	39
068-2003	9	068U1033	33	068U2025	39
068-2006	9	068U1034	33	068U2026	39
068-2007	9	068U1035	33	068U2027	39
068-2008	9	068U1036	33	068U2028	39
068-2009	9	068U1037	33	068U2029	39
068-2010	9	068U1038	33	068U2030	39
068-2015	9	068U1039	33	068U2031	39
068-2060	9	068U1131	33	068U2032	39
068-2061	9	068U1132	33	068U2057	38
068-2062	9	068U1133	33	068U2058	38
068-2063	9	068U1134	33	068U2059	38
068-2089	9	068U1135	33	068U2060	38
068-2090	9	068U1136	33	068U2061	38
068-2091	9	068U1137	33	068U2062	38
068-2092	9	068U1138	33	068U2063	38
068-2093	9	068U1139	33	068U2064	38
068-2094	9	068U1714	33	068U2071	38
068-2095	9	068U1901	38	068U2072	38
068-2096	9	068U1903	38	068U2073	38
068-4100 1)	9	068U1904	38	068U2074	38
068-4101 1)	9	068U1905	38	068U2075	38
068F1161	57	068U1906	38	068U2076	39
068F1162	57	068U1907	38	068U2077	39
068F1164	57	068U1908	38	068U2078	39
068F1165	57	068U1909	38	068U2079	39
068F1167	57	068U1912	38	068U2080	39
068F1168	57	068U1913	38	068U2086	39
068F1170	57	068U1914	38	068U2087	39
068F1171	57	068U1915	38	068U2088	39
068F1173	57	068U1916	38	068U2089	39
068F1174	57	068U1917	38	068U2090	39
068F1176	57	068U1918	38	068U2091	39
068F1177	57	068U1919	38	068U2092	39
068F1179	57	068U1935	38	068U2093	39
068F1180	57	068U1936	38	068U2094	39
068F4078	61	068U1937	38	068U2095	39
068F4079	61	068U1938	38	068U2096	39
068F4080	61	068U1939	38	068U2097	39
068F4081	61	068U1958	38	068U2098	39
068F4082	61	068U1959	38	068U2099	39
068F4083	61	068U1960	38	068U2103	39
068F4084	61	068U1961	38	068U2104	39
068F4088	61	068U1962	38	068U2105	39
068F4089	61	068U1963	38	068U2106	39
068F4090	61	068U1973	38	068U2107	39
068F4091	61	068U1974	38	068U2108	39
068F4092	61	068U1975	38	068U2109	39
068F4093	61	068U2000	39	068U2110	39
068F4094	61	068U2001	39	068U2111	39
068F5000	57	068U2002	39	068U2200	32
068F5001	57	068U2003	39	068U2201	32
068F5005	57	068U2004	39	068U2202	32
068F5006	57	068U2005	39	068U2203	32
068F5010	57	068U2009	39	068U2204	32
068F5010	57	068U2010	39	068U2205	32
068F5015	57	068U2011	39	068U2206	32
068F5016	57	068U2012	39	068U2207	32
068F5283	62	068U2013	39	068U2208	32
068F5283	62	068U2014	39	068U2211	32

068U2212	32	068U4100	35	068U4319	34
068U2213	32	068U4101	35	068U4321	34
068U2214	32	068U4102	35	068U4322	34
068U2215	32	068U4201	40	068U4324	34
068U2230	32	068U4202	40	068U4325	34
068U2231	32	068U4204	40	068U4326	34
068U2233	32	068U4205	40	068U4327	34
068U2234	32	068U4207	40	068U4328	34
068U2235	32	068U4213	40	068U4329	34
068U2236	32	068U4217	40	068U4331	34
068U2237	32	068U4218	40	068U4336	34
068U2241	32	068U4219	40	068U4337	34
068U2245	32	068U4234	40	068U4339	34
068U2280	32	068U4235	40	068U4341	34
068U2281	32	068U4241	40	068U4343	34
068U2282	32	068U4241	40	068Z3206	7
068U2283	32	068U4242	40	068Z3207	7
068U2284	32	068U4242	40	068Z3208	7
068U2285	32	068U4243	40	068Z3209	7
068U2286	32	068U4243	40	068Z3210	7
068U2287	32	068U4244	40	068Z3211	7
068U2292	32	068U4246	40	068Z3224	7
068U2293	32	068U4247	40	068Z3225	7
068U2295	32	068U4248	40	068Z3226	7
068U2296	32	068U4249	40	068Z3227	7
068U2299	32	068U4250	40	068Z3228	7
068U2300	32	068U4251	40	068Z3229	7
068U2303	32	068U4253	40	068Z3281	8
068U2308	32	068U4254	40	068Z3284	8
068U2308	33	068U4256	40	068Z3287	8
068U2309	32	068U4257	40	068Z3290	8
068U2309	33	068U4258	40	068Z3302	8
068U2312	32	068U4259	40	068Z3305	8
068U2312	33	068U4260	40	068Z3308	8
068U2315	32	068U4260	40	068Z3311	8
068U2315	33	068U4261	40	068Z3329	8
068U2316	32	068U4262	40	068Z3346	7
068U2316	33	068U4263	40	068Z3347	7
068U2317	32	068U4264	40	068Z3348	7
068U2317	33	068U4265	40	068Z3349	7
068U2318	32	068U4266	40	068Z3357	8
068U2318	33	068U4267	40	068Z3359	8
068U2319	32	068U4270	40	068Z3361	8
068U2319	33	068U4273	40	068Z3363	8
068U2320	33	068U4274	40	068Z3367	8
068U2321	33	068U4275	40	068Z3369	7
068U2322	33	068U4279	40	068Z3370	7
068U2323	33	068U4280	34	068Z3383	8
068U2324	33	068U4281	34	068Z3384	8
068U2325	33	068U4283	34	068Z3385	8
068U2326	33	068U4291	34	068Z3386	8
068U2327	33	068U4292	34	068Z3387	8
068U2330	33	068U4293	34	068Z3388	8
068U2331	33	068U4295	34	068Z3389	8
068U2332	32	068U4296	34	068Z3390	8
068U2333	32	068U4297	34	068Z3392	7
068U2335	33	068U4299	34	068Z3393	7
068U2414	33	068U4304	34	068Z3400	7
068U2660	39	068U4305	34	068Z3401	7
068U2780	33	068U4307	34	068Z3402	7
068U3507	9	068U4308	34	068Z3403	7
068U3507	35	068U4309	34	068Z3404	7
068U3508	9	068U4310	34	068Z3405	7
068U3508	35	068U4313	34	068Z3406	7
068U4097	35	068U4314	34	068Z3407	7
068U4098	35	068U4315	34	068Z3408	7
068U4099	35	068U4317	34	068Z3409	7

Table of contents - Code numbers

068Z3410	7	080Z2093	341	084B8562	311
068Z3411	7	080Z2094	341	084B8563	54
068Z3414	8	080Z2095	341	084B8563	311
068Z3415	8	080Z2096	341	084B8563	317
068Z3416	8	080Z2097	341	084B8563	319
068Z3417	8	080Z2098	341	084B8564	303
068Z3418	8	080Z2099	341	084B8564	307
068Z3419	8	080Z2292	341	084B8565	303
068Z3420	8	080Z2293	341	084B8565	307
068Z3421	8	080Z2294	341	084B8567	303
068Z3422	8	080Z3200	301	084B8567	307
068Z3423	8	080Z3200	327	084B8567	309
068Z3424	8	080Z3201	301	084B8571	305
068Z3425	8	080Z3201	329	084B8571	311
068Z3426	8	080Z3202	301	084B8574	311
068Z3427	8	080Z3202	329	084B8575	311
068Z3428	8	080Z3206	301	084B8577	303
068Z3429	8	080Z3206	329	084B8577	307
068Z3430	8	080Z3207	301	084B8577	309
068Z3435	8	080Z3207	329	084B8579	305
068Z3436	8	080Z4001	301	084B8579	311
068Z3437	8	080Z4001	331	084B8579	313
068Z3446	8	080Z4004	301	084B8579	315
068Z3447	8	080Z4004	331	084B8582	303
068Z3496	7	080Z4008	301	084B8582	305
068Z3501	7	080Z4008	331	084B8583	311
068Z3502	8	084B2238	47	084H4500	345
068Z3503	8	084B2238	54	084H4501	345
068Z3514	8	084B2238	150	084H4503	345
068Z3515	8	084B4162	300	084H4504	345
068Z3516	7	084B4162	305	084H4505	345
068Z3517	7	084B4163	300	084H4506	345
068Z3713	8	084B4163	305	084H4507	345
068Z3714	7	084B4164	300	084H4508	345
068Z3715	7	084B4164	305	084H4509	345
068Z3716	8	084B4165	300	084H4510	345
069G4001	141	084B7079	300	084H4511	345
069G4002	141	084B7085	313	084H4512	345
069G4003	141	084B7086	300	084H4513	345
069G4004	141	084B7086	313	084H4514	345
080G0075	325	084B7088	300	084H4515	345
080G0076	325	084B7088	315	084H4516	345
080G0281	301	084B7124	313	084H4520	345
080G0281	325	084B7124	315	084H4521	345
080G0282	325	084B7128	313	084H4524	345
080G0283	301	084B7250	300	084H4525	345
080G0283	325	084B8022	300	084H4526	345
080G0288	325	084B8030	300	084H4527	345
080G0289	301	084B8030	311	084H4528	345
080G0289	323	084B8040	54	084H4529	345
080G0294	321	084B8040	300	084H4530	345
080G0294	325	084B8040	317	084H4531	345
080G0312	301	084B8042	319	084H4532	345
080G3290	300	084B8520	300	084H4533	345
080G3291	300	084B8520	307	084H4534	345
080G3292	300	084B8521	300	084H4535	345
080G3293	300	084B8521	303	084H4540	346
080G3294	300	084B8522	300	084H4541	346
080G3295	300	084B8522	303	084H4548	346
080G5000	300	084B8523	300	084H4550	345
080G5000	321	084B8523	303	084H4560	345
080Z0125	300	084B8528	300	084H4561	345
080Z0186	301	084B8528	309	084H4562	345
080Z0196	301	084B8543	300	084H4563	345
080Z0200	301	084B8543	303	084H4564	345
080Z2089	341	084B8562	307	084H4565	345
080Z2092	341	084B8562	309	084H4566	345

084H4571	345	114X7072	524	118U3477	533
084H4580	345	114X7072	526	118U3480	531
084H4581	345	114X7072	528	118U3480	531
084H4582	345	114X7075	520	118U3480	531
084H4583	345	114X7077	522	118U3480	531
084H4584	345	114X7078	522	118U3480	533
084H4585	345	114X7079	522	118U3480	533
084H4590	346	114X7080	522	118U3481	531
084H4598	346	114X7081	520	118U3481	531
084N0003	313	114X7082	520	118U3481	531
084N0036	303	114X7083	522	118U3481	531
084N0036	305	114X7084	522	118U3481	531
084N0036	307	114X7085	520	118U3481	531
084N0036	309	114X7086	520	118U3481	533
084N1178	303	114X7087	520	118U3481	533
084N1178	305	114X7088	520	118U3481	533
084N1178	307	114X7089	520	118U3481	533
084N1178	309	114X7090	520	118U3481	533
084N1220	303	114X7091	520	118U3483	531
084N1220	305	114X7092	520	118U3483	531
084N1220	307	114X7093	522	118U3483	531
084N3206	303	114X7094	522	118U3483	531
114X7061	522	114X7095	520	118U3483	533
114X7061	524	114X7096	520	118U3483	533
114X7061	526	114X7097	522	118U3484	531
114X7061	528	114X8000	488	118U3484	531
114X7062	522	114X8001	488	118U3484	531
114X7062	524	118U3296	531	118U3484	531
114X7062	526	118U3296	531	118U3484	531
114X7062	528	118U3296	531	118U3484	531
114X7063	522	118U3296	531	118U3484	533
114X7063	524	118U3296	533	118U3484	533
114X7063	526	118U3296	533	118U3484	533
114X7063	528	118U3297	531	118U3484	533
114X7064	522	118U3297	531	118U3484	533
114X7064	524	118U3297	531	118U3485	531
114X7064	526	118U3297	531	118U3485	531
114X7064	528	118U3297	531	118U3485	531
114X7065	522	118U3297	531	118U3485	531
114X7065	524	118U3297	533	118U3485	533
114X7065	526	118U3297	533	118U3485	533
114X7065	528	118U3297	533	118U3485	533
114X7066	522	118U3297	533	118U3492	530
114X7066	524	118U3297	533	118U3492	532
114X7066	526	118U3413	531	118U3493	530
114X7066	528	118U3414	531	118U3493	532
114X7067	522	118U3414	531	118U3494	530
114X7067	524	118U3414	531	118U3494	532
114X7067	526	118U3414	531	118U3751	530
114X7067	528	118U3414	531	118U3761	531
114X7068	522	118U3414	531	118U3761	531
114X7068	524	118U3414	531	118U3761	531
114X7068	526	118U3414	533	118U3761	531
114X7068	528	118U3414	533	118U3761	531
114X7069	522	118U3414	533	118U3761	531
114X7069	524	118U3414	533	118U3761	531
114X7069	526	118U3474	530	118U3761	531
114X7069	528	118U3474	532	118U3761	531
114X7070	522	118U3475	530	118U3761	531
114X7070	524	118U3475	532	118U3761	531
114X7070	526	118U3476	530	118U3761	531
114X7070	528	118U3476	532	118U3761	531
114X7071	522	118U3477	531	118U3761	533
114X7071	524	118U3477	531	118U3761	533
114X7071	526	118U3477	531	118U3761	533
114X7071	528	118U3477	531	118U3761	533
114X7072	522	118U3477	533	118U3761	533

Table of contents - Code numbers

118U3761	533	120G0064	467	120H0262	432
118U3761	533	120G0072	467	120H0263	431
118U3761	533	120G0073	467	120H0264	432
118U3761	533	120G0075	467	120H0265	431
118U3761	533	120G0076	467	120H0267	431
118U3762	531	120H0001	431	120H0268	432
118U3762	531	120H0002	432	120H0269	431
118U3762	531	120H0003	431	120H0271	431
118U3762	533	120H0004	432	120H0272	432
118U3762	533	120H0005	431	120H0273	431
118U3762	533	120H0007	431	120H0274	432
118U3763	531	120H0009	431	120H0275	431
118U3763	531	120H0010	432	120H0276	432
118U3763	531	120H0011	431	120H0277	431
118U3763	531	120H0012	432	120H0279	431
118U3764	533	120H0013	431	120H0280	432
118U3764	533	120H0014	432	120H0289	431
118U3764	533	120H0015	431	120H0290	432
118U3769	532	120H0017	431	120H0291	431
118U3770	530	120H0019	431	120H0292	432
118U3779	532	120H0020	432	120H0293	431
118U3810	530	120H0021	431	120H0295	431
118U3811	530	120H0022	432	120H0296	432
118U3823	531	120H0023	431	120H0297	431
118U3823	531	120H0024	432	120H0298	432
118U3823	531	120H0025	431	120H0299	431
118U3823	531	120H0027	431	120H0300	432
118U3823	531	120H0029	431	120H0301	431
118U3823	531	120H0030	432	120H0303	431
118U3823	533	120H0151	431	120H0304	432
118U3823	533	120H0152	431	120H0311	435
118U3823	533	120H0183	435	120H0359	431
118U3823	533	120H0184	435	120H0360	432
118U3823	533	120H0185	435	120H0361	431
118U3912	530	120H0186	435	120H0362	432
118U3914	532	120H0187	435	120H0363	431
118U3915	532	120H0188	435	120H0365	431
120B0001	377	120H0189	435	120H0367	431
120B0002	377	120H0190	435	120H0368	432
120B0003	377	120H0191	435	120H0610	435
120B0004	377	120H0197	435	120H0611	435
120B0005	377	120H0198	435	120H0612	435
120B0006	377	120H0199	431	120H0613	435
120B0007	377	120H0200	432	120H0614	435
120B0029	378	120H0201	431	120H0825	431
120B0030	378	120H0202	432	120H0826	432
120B0031	378	120H0203	431	120H0827	431
120B0032	378	120H0205	431	120H0828	432
120B0052	377	120H0207	431	120H0833	431
120B0053	377	120H0208	432	120H0835	431
120B0054	377	120H0209	431	120H0841	431
120B0054	377	120H0210	432	120H0842	432
120B0054	377	120H0211	431	120H0843	431
120B0054	377	120H0212	432	120H0844	432
120B0054	377	120H0213	431	120H0851	431
120B0054	377	120H0215	431	120H0852	432
120B0054	377	120H0217	431	120H0853	431
120B0054	377	120H0218	432	120H0854	432
120F0001	532	120H0250	432	120H0863	453
120F0002	532	120H0252	432	120H0864	453
120F0087	532	120H0253	431	120H0865	453
120F0088	532	120H0254	432	120H0866	453
120G0059	467	120H0255	431	120H0867	453
120G0060	467	120H0256	432	120H0868	453
120G0061	467	120H0257	431	120H0903	453
120G0062	467	120H0259	431	120H0904	453
120G0063	467	120H0261	431	120H0905	453

120H0906	453	120U0373	396	120U1006	395
120H0907	453	120U0376	395	120U1008	398
120H0908	453	120U0381	395	120U1011	397
120H0931	453	120U0383	396	120U1013	396
120H0932	453	120U0386	395	120U1016	395
120H0933	453	120U0388	398	120U1018	398
120H0934	453	120U0391	397	120U1021	397
120H0935	453	120U0396	397	120U1023	396
120H0936	453	120U0398	396	120U1026	395
120H0937	453	120U0401	395	120U1028	398
120H0938	453	120U0406	395	120U1031	397
120H0939	453	120U0408	396	120U1033	396
120H0940	453	120U0411	395	120U1036	395
120H0941	453	120U0578	398	120U1038	398
120H0942	453	120U0581	397	120U1041	397
120H0951	453	120U0583	398	120U1043	396
120H0952	453	120U0586	397	120U1046	395
120H0953	453	120U0596	397	120U1048	398
120H0954	453	120U0598	396	120U1051	397
120H0955	453	120U0601	395	120U1053	398
120H0956	453	120U0603	396	120U1056	397
120H0957	453	120U0606	395	120U1058	398
120H0958	453	120U0608	396	120U1061	397
120H0959	453	120U0611	395	120U1063	398
120H0960	453	120U0711	397	120U1066	397
120H0961	453	120U0743	398	120U1068	398
120H0962	453	120U0746	397	120U1071	397
120H0963	453	120U0758	398	120U1073	398
120H0964	453	120U0761	397	120U1076	397
120H0965	453	120U0766	395	120U1078	398
120H0966	453	120U0888	398	120U1081	397
120H0967	453	120U0891	397	120U1083	396
120H0968	453	120U0906	395	120U1086	395
120H0969	453	120U0918	398	120U1088	398
120H0970	453	120U0921	397	120U1091	397
120H0971	453	120U0923	398	120U1093	396
120H0972	453	120U0926	397	120U1096	395
120H0973	453	120U0928	398	120U1098	398
120H0974	453	120U0931	397	120U1101	397
120H0987	453	120U0933	398	120U1103	396
120H0988	453	120U0936	397	120U1108	398
120H0989	453	120U0938	398	120U1111	397
120H0990	453	120U0941	397	120U1113	396
120H0991	453	120U0943	398	120U1118	398
120H0992	453	120U0946	397	120U1121	397
120H0993	453	120U0948	398	120U1126	395
120H0994	453	120U0951	397	120U1128	398
120H0995	453	120U0953	398	120U1131	397
120H0996	453	120U0956	397	120U1133	394
120H0997	453	120U0958	396	120U1136	393
120H0998	453	120U0961	395	120U1138	394
120H1062	431	120U0963	398	120U1141	393
120H1063	432	120U0966	397	120U1143	394
120H1064	431	120U0968	398	120U1146	393
120H1065	432	120U0971	397	120U1148	394
120H1072	431	120U0976	395	120U1151	393
120H1073	432	120U0978	398	120U1153	394
120H1074	431	120U0981	397	120U1156	393
120H1075	432	120U0983	396	120U1158	394
120H1096	435	120U0986	395	120U1161	393
120H1097	435	120U0988	398	120U1163	394
120H1098	431	120U0991	397	120U1166	393
120H1099	431	120U0993	398	120U1168	394
120H1105	431	120U0996	397	120U1171	393
120H1107	431	120U0998	398	120U1173	394
120U0363	398	120U1001	397	120U1176	393
120U0366	397	120U1003	396	120U1178	394

Table of contents - Code numbers

120U1181	393	120U1353	394	120U1523	398
120U1183	394	120U1356	393	120U1528	398
120U1186	393	120U1358	394	120U1531	397
120U1188	394	120U1361	393	120U1533	398
120U1191	393	120U1363	394	120U1536	397
120U1193	394	120U1366	393	120U1538	398
120U1196	393	120U1368	394	120U1541	397
120U1198	394	120U1371	393	120U1543	398
120U1201	393	120U1373	394	120U1546	397
120U1203	394	120U1376	393	120U1548	398
120U1206	393	120U1378	394	120U1551	397
120U1208	394	120U1381	393	120U1553	398
120U1211	393	120U1383	394	120U1556	397
120U1213	394	120U1386	393	120U1558	396
120U1216	393	120U1388	394	120U1563	398
120U1218	394	120U1391	393	120U1566	397
120U1221	393	120U1393	394	120U1568	396
120U1223	394	120U1396	393	120U1571	395
120U1226	393	120U1398	394	120U1573	398
120U1228	394	120U1401	393	120U1576	397
120U1231	393	120U1403	394	120U1578	396
120U1233	394	120U1406	393	120U1581	395
120U1236	393	120U1408	394	120U1583	398
120U1238	394	120U1411	393	120U1586	397
120U1241	393	120U1413	394	120U1588	396
120U1248	394	120U1416	393	120U1591	395
120U1251	393	120U1418	394	120U1593	396
120U1253	394	120U1421	393	120U1596	395
120U1256	393	120U1423	394	120U1598	398
120U1258	394	120U1426	393	120U1603	396
120U1261	393	120U1428	394	120U1606	395
120U1263	394	120U1431	393	120U1608	398
120U1266	393	120U1433	394	120U1611	397
120U1268	394	120U1436	393	120U1613	398
120U1271	393	120U1438	394	120U1616	397
120U1273	394	120U1441	393	120U1618	396
120U1276	393	120U1443	394	120U1621	395
120U1278	394	120U1448	394	120U1623	398
120U1281	393	120U1451	393	120U1626	397
120U1283	394	120U1453	394	120U1628	396
120U1286	393	120U1456	393	120U1631	395
120U1288	394	120U1458	394	120U1633	398
120U1291	393	120U1461	393	120U1636	397
120U1293	394	120U1463	394	120U1638	396
120U1296	393	120U1466	393	120U1641	395
120U1298	394	120U1468	394	120U1643	398
120U1301	393	120U1471	393	120U1646	397
120U1303	394	120U1473	394	120U1648	396
120U1306	393	120U1476	393	120U1651	395
120U1308	394	120U1478	394	120U1653	396
120U1311	393	120U1481	393	120U1656	395
120U1313	394	120U1483	394	120U1658	396
120U1316	393	120U1486	393	120U1661	395
120U1318	394	120U1488	394	120U1663	398
120U1321	393	120U1491	393	120U1666	397
120U1323	394	120U1493	398	120U1668	398
120U1326	393	120U1496	397	120U1671	397
120U1328	394	120U1498	396	120U1673	398
120U1331	393	120U1501	395	120U1676	397
120U1333	394	120U1503	398	120U1678	396
120U1336	393	120U1506	397	120U1681	395
120U1338	394	120U1508	398	120U1683	398
120U1341	393	120U1511	397	120U1686	397
120U1343	394	120U1513	398	120U1688	396
120U1346	393	120U1516	397	120U1691	395
120U1348	394	120U1518	398	120U1693	398
120U1351	393	120U1521	397	120U1696	397

120U1698	396	120U1868	398	120U2127	397
120U1701	395	120U1871	397	120U2129	398
120U1703	396	120U1873	398	120U2132	397
120U1706	395	120U1876	397	120U2134	398
120U1708	398	120U1878	398	120U2137	397
120U1711	397	120U1881	397	120U2139	398
120U1716	398	120U1888	398	120U2142	397
120U1718	398	120U1891	397	120U2144	398
120U1721	397	120U1893	398	120U2147	397
120U1723	396	120U1896	397	120U2149	398
120U1726	395	120U1898	398	120U2152	397
120U1728	396	120U1901	397	120U2159	398
120U1731	395	120U1903	398	120U2162	397
120U1733	398	120U1906	397	120U2164	394
120U1736	397	120U1908	398	120U2167	393
120U1738	398	120U1911	397	120U2169	394
120U1741	397	120U1913	396	120U2172	393
120U1743	398	120U1916	395	120U2174	394
120U1746	397	120U1924	397	120U2177	393
120U1748	398	120U1926	396	120U2179	394
120U1751	397	120U1929	395	120U2182	393
120U1753	396	120U2001	396	120U2184	398
120U1756	395	120U2004	395	120U2187	397
120U1758	398	120U2006	398	120U2189	396
120U1761	397	120U2011	396	120U2192	395
120U1763	396	120U2014	395	120U2194	396
120U1766	395	120U2016	396	120U2197	395
120U1768	398	120U2019	395	120U2199	398
120U1771	397	120U2021	396	120U2202	397
120U1773	398	120U2024	395	120U2207	397
120U1776	397	120U2026	398	120U2229	398
120U1778	396	120U2029	397	120U2232	397
120U1781	395	120U2034	394	120U2234	394
120U1783	396	120U2037	393	120U2237	393
120U1786	395	120U2039	394	120U2239	398
120U1788	398	120U2042	393	120U2242	397
120U1791	397	120U2044	394	120U2249	398
120U1793	396	120U2047	393	120U2252	397
120U1796	395	120U2049	394	120U2254	398
120U1798	398	120U2052	393	120U2257	397
120U1801	397	120U2054	394	120U2259	394
120U1803	396	120U2057	393	120U2262	393
120U1806	395	120U2059	394	120U2264	394
120U1808	398	120U2062	393	120U2267	393
120U1811	397	120U2064	398	120U2269	394
120U1813	396	120U2067	397	120U2272	393
120U1816	395	120U2072	395	120U2274	394
120U1818	398	120U2074	396	120U2277	393
120U1821	397	120U2074	398	120U2279	394
120U1823	396	120U2077	397	120U2282	393
120U1826	395	120U2079	398	120U2284	394
120U1828	398	120U2082	397	120U2287	393
120U1831	397	120U2084	398	120U2289	398
120U1833	398	120U2087	397	120U2292	397
120U1836	397	120U2089	398	120U2297	395
120U1838	396	120U2092	397	120U2297	396
120U1841	395	120U2094	398	120U2299	394
120U1843	398	120U2097	397	120U2302	393
120U1846	397	120U2099	398	120U2304	394
120U1848	396	120U2102	397	120U2307	393
120U1851	395	120U2104	398	120U2312	393
120U1853	398	120U2107	397	120U2319	394
120U1856	397	120U2109	398	120U2322	393
120U1858	396	120U2112	397	120U2324	394
120U1861	395	120U2119	398	120U2327	393
120U1863	398	120U2122	397	120U2329	394
120U1866	397	120U2124	398	120U2332	393

Table of contents - Code numbers

120U2339	394	120U2498	393	120U8040	414
120U2342	393	120U2499	394	120U8041	414
120U2344	394	120U2502	393	120U8042	414
120U2347	393	120U2506	397	120U8043	414
120U2349	394	120U2531	394	120U8044	414
120U2352	393	120U2538	393	120U8045	414
120U2359	394	120U2539	394	120U8046	414
120U2362	393	120U2547	394	120U8047	414
120U2364	398	120U2555	394	120U8048	414
120U2367	397	120U2559	394	120U8049	414
120U2369	398	120U2562	393	120U8050	414
120U2372	397	120U2570	393	120U8051	414
120U2374	398	120U2571	394	120U8052	414
120U2377	397	120U2575	394	120U8053	414
120U2379	398	120U2578	393	120U8054	414
120U2382	397	120U2579	394	120U8055	414
120U2384	394	120U2582	393	120U8056	414
120U2387	393	120U2595	398	120U8057	414
120U2389	398	120U2598	397	120U8058	414
120U2392	397	120U2599	398	120U8059	414
120U2394	394	120U2602	397	120U8060	414
120U2397	393	120U2647	394	120U8061	414
120U2399	394	120U2650	393	120U8062	414
120U2402	393	120U2651	394	120U8063	414
120U2404	394	120U2654	393	120U8064	414
120U2407	393	120U2658	393	120U8065	414
120U2409	394	120U8001	414	120U8066	414
120U2412	393	120U8002	414	120U8067	414
120U2414	394	120U8003	414	120U8068	414
120U2417	393	120U8004	414	120U8265	414
120U2419	394	120U8005	414	120U8266	414
120U2422	393	120U8006	414	120U8271	414
120U2424	394	120U8007	414	120U8272	414
120U2427	393	120U8008	414	120U8277	414
120U2429	394	120U8009	414	120U8278	414
120U2432	393	120U8010	414	120U8283	414
120U2434	394	120U8011	414	120U8284	414
120U2437	393	120U8012	414	120U8295	414
120U2439	394	120U8013	414	120U8296	414
120U2442	393	120U8014	414	120U8301	414
120U2443	394	120U8015	414	120U8302	414
120U2446	393	120U8016	414	120U8307	414
120U2447	394	120U8017	414	120U8308	414
120U2450	393	120U8018	414	120U8313	414
120U2451	396	120U8019	414	120U8314	414
120U2454	395	120U8020	414	120U8331	414
120U2455	396	120U8021	414	120U8332	414
120U2458	395	120U8022	414	120U8337	414
120U2459	398	120U8023	414	120U8338	414
120U2462	397	120U8024	414	120U8343	414
120U2463	394	120U8025	414	120U8344	414
120U2466	393	120U8026	414	120U8349	414
120U2467	394	120U8027	414	120U8350	414
120U2470	393	120U8028	414	120U8355	414
120U2471	394	120U8029	414	120U8356	414
120U2474	393	120U8030	414	120U8398	414
120U2475	394	120U8031	414	120U8399	414
120U2478	393	120U8032	414	120U8412	414
120U2479	394	120U8033	414	120U8413	414
120U2482	393	120U8034	414	120Z0057	531
120U2483	394	120U8035	414	120Z0057	531
120U2486	393	120U8035	414	120Z0057	531
120U2487	394	120U8036	414	120Z0057	531
120U2490	393	120U8036	414	120Z0057	531
120U2491	394	120U8037	414	120Z0057	531
120U2494	393	120U8038	414	120Z0057	531
120U2495	394	120U8039	414	120Z0057	533

120Z0057	533	121L9516	413	121U8041	414
120Z0057	533	121L9517	413	121U8042	414
120Z0057	533	121L9517	532	121U8043	414
120Z0459	533	121L9518	413	121U8044	414
120Z0459	533	121L9519	413	121U8045	414
120Z0459	533	121L9520	413	121U8046	414
120Z0471	533	121L9521	413	121U8047	414
120Z0471	533	121L9524	413	121U8048	414
120Z0550	449	121L9525	413	121U8049	414
120Z0551	449	121L9526	413	121U8050	414
120Z0569	449	121L9527	413	121U8051	414
120Z0578	449	121L9528	413	121U8052	414
120Z5034	531	121L9529	413	121U8053	414
120Z5034	531	121L9530	413	121U8054	414
120Z5034	531	121L9531	413	121U8055	414
120Z5034	531	121L9532	413	121U8056	414
120Z5034	531	121L9533	413	121U8059	414
120Z5034	531	121U8001	414	121U8060	414
120Z5034	531	121U8002	414	121U8061	414
120Z5034	533	121U8002	530	121U8062	414
120Z5034	533	121U8003	414	121U8063	414
120Z5034	533	121U8004	414	121U8064	414
120Z5040	531	121U8005	414	121U8065	414
120Z5040	531	121U8006	414	121U8066	414
120Z5040	531	121U8006	530	121U8067	414
120Z5040	531	121U8007	414	121U8068	414
120Z5040	531	121U8008	414	121U8418	414
120Z5040	531	121U8008	530	121U8419	414
120Z5040	531	121U8009	414	121U8512	413
120Z5040	533	121U8010	414	121U8513	413
120Z5040	533	121U8010	530	121U8514	413
120Z5040	533	121U8011	414	121U8515	413
120Z5043	531	121U8012	414	121U8516	413
120Z5043	531	121U8012	530	121U8517	413
120Z5043	531	121U8013	414	121U8518	413
120Z5044	531	121U8014	414	121U8519	413
120Z5044	531	121U8014	530	121U8520	413
120Z5044	531	121U8015	414	121U8521	413
120Z5044	531	121U8016	414	121U8522	413
120Z5052 (**)	533	121U8016	530	121U8523	413
120Z5052 (**)	533	121U8017	414	121U8524	413
120Z5052 (**)	533	121U8018	414	121U8525	413
121L3112	394	121U8019	414	121U8526	413
121L3113	393	121U8020	414	121U8527	413
121L3114	394	121U8021	414	121U8528	413
121L3115	393	121U8022	414	121U8529	413
121L3116	394	121U8023	414	121U8530	413
121L3117	393	121U8024	414	121U8531	413
121L3118	394	121U8024	530	121U8532	413
121L3120	394	121U8025	414	121U8533	413
121L3121	393	121U8026	414	121U8534	413
121L3121	393	121U8027	414	121U8535	413
121L3122	394	121U8028	414	121U8540	413
121L9504	413	121U8028	530	121U8541	413
121L9505	413	121U8029	414	121U8542	413
121L9506	413	121U8030	414	121U8543	413
121L9507	413	121U8030	530	121U8544	413
121L9508	413	121U8031	414	121U8545	413
121L9509	413	121U8032	414	121U8546	413
121L9509	532	121U8032	530	121U8547	413
121L9510	413	121U8033	414	121U8548	413
121L9511	413	121U8034	414	121U8549	413
121L9512	413	121U8034	530	121U8550	413
121L9513	413	121U8037	414	121U8551	413
121L9513	532	121U8038	414	121U8552	413
121L9514	413	121U8039	414	121U8553	413
121L9515	413	121U8040	414	121U8554	413

Table of contents - Code numbers

121U8555	413	121U8622	413	131B3580	377
121U8556	413	121U8623	413	131B3582	377
121U8557	413	121U8624	413	131B3583	377
121U8558	413	121U8625	413	131B3584	377
121U8559	413	121U8626	413	131B3585	377
121U8560	413	121U8627	413	131B3586	377
121U8561	413	121U9001	409	131B3587	377
121U8562	413	121U9002	409	131B3588	377
121U8563	413	121U9003	409	131B3589	377
121U8564	413	121U9004	409	131B3590	377
121U8565	413	121U9005	409	131B3591	377
121U8566	413	121U9006	409	131B3592	377
121U8567	413	121U9007	409	131B3593	377
121U8568	413	121U9008	409	131B3594	377
121U8569	413	121U9009	409	131B3595	377
121U8570	413	121U9010	409	131B3596	377
121U8571	413	121U9011	409	131B3597	377
121U8572	413	121U9012	409	131B3598	377
121U8573	413	121U9013	409	131B3599	377
121U8574	413	121U9014	409	131B5009	378
121U8575	413	121U9015	409	131B5347	378
121U8576	413	121U9016	409	131B5348	378
121U8577	413	121U9017	409	131B5349	378
121U8578	413	121U9018	409	131B5350	378
121U8579	413	121U9019	409	131B5351	378
121U8580	413	121U9020	409	131B5352	378
121U8581	413	121U9021	409	131B5354	378
121U8582	413	121U9022	409	131B5355	378
121U8583	413	121U9023	409	131B5356	378
121U8584	413	121U9024	409	131B5357	378
121U8585	413	121U9025	409	131B5358	378
121U8586	413	121U9026	409	131B5359	378
121U8587	413	131B3543	377	131B5360	378
121U8588	413	131B3544	377	131B5361	378
121U8589	413	131B3545	377	131B5362	378
121U8590	413	131B3546	377	131B5363	378
121U8591	413	131B3547	377	131B5364	378
121U8592	413	131B3548	377	131B5365	378
121U8593	413	131B3549	377	131B5367	378
121U8594	413	131B3550	377	131B5368	378
121U8595	413	131B3552	377	131B5369	378
121U8596	413	131B3553	377	131B5370	378
121U8597	413	131B3554	377	131B5371	378
121U8598	413	131B3555	377	131B5372	378
121U8599	413	131B3556	377	131X2198	377
121U8600	413	131B3557	377	131X2199	377
121U8601	413	131B3558	377	131X2200	377
121U8602	413	131B3559	377	134F9361	468
121U8603	413	131B3560	377	134F9363	468
121U8604	413	131B3561	377	134F9365	468
121U8605	413	131B3562	377	134F9366	468
121U8606	413	131B3563	377	134F9368	468
121U8607	413	131B3564	377	134F9371	468
121U8608	413	131B3565	377	134G3474	468
121U8609	413	131B3566	377	134G3576	468
121U8610	413	131B3567	377	134G3577	468
121U8611	413	131B3568	377	134G3578	468
121U8612	413	131B3569	377	134G3579	468
121U8613	413	131B3570	377	134G3580	468
121U8614	413	131B3571	377	134G3581	468
121U8615	413	131B3572	377	134G3582	468
121U8616	413	131B3573	377	134G3583	468
121U8617	413	131B3574	377	134G3584	468
121U8618	413	131B3575	377	134G3585	468
121U8619	413	131B3576	377	134G3586	468
121U8620	413	131B3577	377	134G4001	468
121U8621	413	131B3578	377	134G4002	468

134G4003	468	148B4611	243	148B4657	244
134G4004	468	148B4612	244	148B4657	244
134G4005	468	148B4612	244	148B4658	244
134G4006	468	148B4613	244	148B4658	244
134G4008	468	148B4613	244	148B4659	244
134G4010	468	148B4614	244	148B4659	244
134G4012	468	148B4614	244	148B4660	244
134G4013	468	148B4615	244	148B4660	244
134G4015	468	148B4615	244	148B4661	244
134G4016	468	148B4616	244	148B4661	244
134G4018	468	148B4616	244	148B4662	244
134G4019	468	148B4617	244	148B4662	244
134G4020	468	148B4617	244	148B4663	244
134G4021	468	148B4618	244	148B4663	244
134G4022	468	148B4618	244	148B4664	244
134G4023	468	148B4619	244	148B4664	244
134L9470	467	148B4619	244	148B4665	244
134L9473	467	148B4620	244	148B4665	244
134N4260	467	148B4620	244	148B4666	243
134N4261	467	148B4621	244	148B4667	243
134N4262	467	148B4621	244	148B4668	243
134N4263	467	148B4622	243	148B4669	243
148B3740	251	148B4623	243	148B4670	243
148B3741	251	148B4624	243	148B4671	243
148B3742	251	148B4625	243	148B4672	243
148B3743	251	148B4626	243	148B4673	243
148B3744	251	148B4627	243	148B4674	243
148B3745	222	148B4628	243	148B4675	243
148B3745	251	148B4629	243	148B4676	243
148B3746	251	148B4630	243	148B4677	243
148B3747	251	148B4631	243	148B4678	244
148B3768	252	148B4632	243	148B4678	244
148B3769	252	148B4633	243	148B4679	244
148B3778 (**)	252	148B4634	244	148B4679	244
148B4177	251	148B4634	244	148B4680	244
148B4179	251	148B4635	244	148B4680	244
148B4180	251	148B4635	244	148B4681	244
148B4181	251	148B4636	244	148B4681	244
148B4184	237	148B4636	244	148B4682	244
148B4210	252	148B4637	244	148B4682	244
148B4211	252	148B4637	244	148B4683	244
148B4216	251	148B4638	244	148B4683	244
148B4218	252	148B4638	244	148B4684	244
148B4219	252	148B4639	244	148B4684	244
148B4223	251	148B4639	244	148B4685	244
148B4224	251	148B4640	244	148B4685	244
148B4225	251	148B4640	244	148B4686	244
148B4226	251	148B4641	244	148B4686	244
148B4230	251	148B4641	244	148B4687	244
148B4231	252	148B4642	244	148B4687	244
148B4232	252	148B4642	244	148B5000	234
148B4233	251	148B4643	244	148B5001	234
148B4245	237	148B4643	244	148B5002	238
148B4265	252	148B4644	243	148B5003	238
148B4266	252	148B4645	243	148B5004	238
148B4336	252	148B4646	243	148B5005	238
148B4600	243	148B4647	243	148B5010	235
148B4601	243	148B4648	243	148B5011	235
148B4602	243	148B4649	243	148B5012	238
148B4603	243	148B4650	243	148B5013	238
148B4604	243	148B4651	243	148B5013	238
148B4605	243	148B4652	243	148B5014	238
148B4606	243	148B4653	243	148B5014	238
148B4607	243	148B4654	243	148B5020	234
148B4608	243	148B4655	243	148B5021	234
148B4609	243	148B4656	244	148B5030	235
148B4610	243	148B4656	244	148B5031	235

Table of contents - Code numbers

148B5032	234	148B5244	221	148B5279	239
148B5100	234	148B5245	221	148B5280	258
148B5101	234	148B5246	221	148B5280	259
148B5102	256	148B5247	221	148B5281	258
148B5103	257	148B5248	221	148B5281	259
148B5104	256	148B5249	221	148B5282	270
148B5105	257	148B5250	237	148B5282	270
148B5106	256	148B5251	237	148B5283	273
148B5107	257	148B5252	223	148B5283	273
148B5110	235	148B5252	238	148B5284	223
148B5111	235	148B5252	258	148B5284	223
148B5112	258	148B5252	270	148B5289	247
148B5113	258	148B5252	273	148B5290	247
148B5116	256	148B5253	223	148B5291	247
148B5117	257	148B5253	238	148B5292	247
148B5120	234	148B5253	258	148B5300	234
148B5121	234	148B5253	270	148B5301	234
148B5122	238	148B5253	273	148B5302	256
148B5122	258	148B5254	223	148B5303	257
148B5123	238	148B5254	238	148B5304	256
148B5123	258	148B5254	258	148B5305	257
148B5124	238	148B5254	270	148B5306	256
148B5124	258	148B5254	273	148B5307	257
148B5125	238	148B5255	223	148B5308	269
148B5125	258	148B5255	238	148B5309	269
148B5130	235	148B5255	258	148B5310	235
148B5131	235	148B5255	270	148B5311	235
148B5200	234	148B5255	273	148B5312	256
148B5201	234	148B5256	223	148B5313	257
148B5202	256	148B5256	238	148B5314	256
148B5203	257	148B5256	258	148B5315	257
148B5204	256	148B5256	270	148B5316	256
148B5205	257	148B5256	273	148B5317	257
148B5206	256	148B5257	223	148B5320	234
148B5207	257	148B5257	238	148B5321	234
148B5208	269	148B5257	258	148B5322	234
148B5209	269	148B5257	270	148B5323	234
148B5210	235	148B5257	273	148B5324	234
148B5211	235	148B5258	223	148B5325	234
148B5212	256	148B5258	238	148B5326	256
148B5213	257	148B5258	258	148B5327	257
148B5214	256	148B5258	270	148B5328	256
148B5215	257	148B5258	273	148B5329	257
148B5216	256	148B5259	223	148B5330	235
148B5217	257	148B5259	238	148B5331	235
148B5220	234	148B5259	258	148B5332	235
148B5221	234	148B5259	270	148B5333	235
148B5222	234	148B5259	273	148B5334	235
148B5223	234	148B5260	236	148B5335	235
148B5224	234	148B5261	236	148B5336	269
148B5225	234	148B5262	236	148B5337	269
148B5226	256	148B5263	236	148B5340	236
148B5227	257	148B5264	236	148B5341	236
148B5228	256	148B5265	236	148B5342	221
148B5229	257	148B5270	237	148B5343	221
148B5230	235	148B5271	237	148B5344	221
148B5231	235	148B5272	237	148B5345	221
148B5232	235	148B5273	237	148B5346	221
148B5233	235	148B5274	237	148B5347	221
148B5234	235	148B5275	237	148B5348	221
148B5235	235	148B5276	238	148B5349	221
148B5236	269	148B5276	239	148B5350	237
148B5237	269	148B5277	238	148B5351	237
148B5240	236	148B5277	239	148B5352	223
148B5241	236	148B5278	238	148B5352	239
148B5242	221	148B5278	239	148B5352	259
148B5243	221	148B5279	238	148B5352	270

148B5352	273	148B5415	257	148B5458	273
148B5353	223	148B5416	256	148B5459	223
148B5353	239	148B5417	257	148B5459	239
148B5353	259	148B5420	234	148B5459	259
148B5353	270	148B5421	234	148B5459	270
148B5353	273	148B5422	234	148B5459	273
148B5354	223	148B5423	234	148B5460	236
148B5354	239	148B5424	234	148B5461	236
148B5354	259	148B5425	234	148B5462	236
148B5354	270	148B5426	256	148B5463	236
148B5354	273	148B5427	257	148B5464	236
148B5355	223	148B5428	256	148B5465	236
148B5355	239	148B5429	257	148B5470	237
148B5355	259	148B5430	235	148B5471	237
148B5355	270	148B5431	235	148B5472	237
148B5355	273	148B5432	235	148B5473	237
148B5356	223	148B5433	235	148B5474	237
148B5356	239	148B5434	235	148B5475	237
148B5356	259	148B5435	235	148B5476	239
148B5356	270	148B5436	269	148B5476	239
148B5356	273	148B5437	269	148B5476	240
148B5357	223	148B5440	236	148B5477	239
148B5357	239	148B5441	236	148B5477	239
148B5357	259	148B5442	221	148B5477	240
148B5357	270	148B5443	221	148B5478	239
148B5357	273	148B5444	221	148B5478	239
148B5358	223	148B5445	221	148B5478	240
148B5358	239	148B5446	221	148B5479	239
148B5358	259	148B5447	221	148B5479	239
148B5358	270	148B5448	221	148B5479	240
148B5358	273	148B5449	221	148B5480	259
148B5359	223	148B5450	237	148B5480	259
148B5359	239	148B5451	237	148B5480	260
148B5359	259	148B5452	223	148B5481	259
148B5359	270	148B5452	239	148B5481	259
148B5359	273	148B5452	259	148B5481	260
148B5360	236	148B5452	270	148B5482	270
148B5361	236	148B5452	273	148B5482	271
148B5362	236	148B5453	223	148B5482	271
148B5363	236	148B5453	239	148B5483	273
148B5364	236	148B5453	259	148B5483	274
148B5365	236	148B5453	270	148B5483	274
148B5370	237	148B5453	273	148B5484	223
148B5371	237	148B5454	223	148B5484	224
148B5372	237	148B5454	239	148B5484	224
148B5373	237	148B5454	259	148B5486	247
148B5374	237	148B5454	270	148B5487	247
148B5375	237	148B5454	273	148B5488	247
148B5377	247	148B5455	223	148B5489	247
148B5378	247	148B5455	239	148B5500	234
148B5379	247	148B5455	259	148B5501	234
148B5380	247	148B5455	270	148B5502	256
148B5400	234	148B5455	273	148B5503	257
148B5401	234	148B5456	223	148B5504	256
148B5402	256	148B5456	239	148B5505	257
148B5403	257	148B5456	259	148B5506	256
148B5404	256	148B5456	270	148B5507	257
148B5405	257	148B5456	273	148B5508	269
148B5406	256	148B5457	223	148B5509	269
148B5407	257	148B5457	239	148B5510	235
148B5408	269	148B5457	259	148B5511	235
148B5409	269	148B5457	270	148B5512	256
148B5410	235	148B5457	273	148B5513	257
148B5411	235	148B5458	223	148B5514	256
148B5412	256	148B5458	239	148B5515	257
148B5413	257	148B5458	259	148B5516	256
148B5414	256	148B5458	270	148B5517	257

Table of contents - Code numbers

148B5520	234	148B5580	224	148B5653	224
148B5521	234	148B5580	239	148B5653	240
148B5522	234	148B5580	259	148B5653	260
148B5523	234	148B5580	271	148B5653	271
148B5524	234	148B5580	274	148B5653	274
148B5525	234	148B5581	224	148B5654	224
148B5526	257	148B5581	239	148B5654	240
148B5527	256	148B5581	259	148B5654	260
148B5528	256	148B5581	271	148B5654	271
148B5529	257	148B5581	274	148B5654	274
148B5530	235	148B5582	224	148B5655	224
148B5531	235	148B5582	239	148B5655	240
148B5532	235	148B5582	259	148B5655	260
148B5533	235	148B5582	271	148B5655	271
148B5534	235	148B5582	274	148B5655	274
148B5535	235	148B5583	224	148B5656	224
148B5536	269	148B5583	239	148B5656	240
148B5537	269	148B5583	259	148B5656	260
148B5539	269	148B5583	271	148B5656	271
148B5540	236	148B5583	274	148B5656	274
148B5541	236	148B5600	234	148B5657	224
148B5543	221	148B5601	234	148B5657	240
148B5544	221	148B5602	256	148B5657	260
148B5545	221	148B5603	257	148B5657	271
148B5546	221	148B5604	256	148B5657	274
148B5547	221	148B5605	257	148B5660	236
148B5548	221	148B5608	269	148B5661	236
148B5549	221	148B5609	269	148B5662	236
148B5550	237	148B5610	235	148B5663	236
148B5551	237	148B5611	235	148B5670	237
148B5552	221	148B5612	256	148B5671	237
148B5560	236	148B5613	257	148B5672	237
148B5561	236	148B5614	256	148B5673	237
148B5562	236	148B5615	257	148B5700	234
148B5563	236	148B5620	234	148B5701	234
148B5564	236	148B5621	234	148B5702	269
148B5565	236	148B5622	234	148B5703	269
148B5566	247	148B5623	234	148B5704	269
148B5567	247	148B5624	221	148B5706	257
148B5568	247	148B5625	221	148B5710	235
148B5569	247	148B5626	257	148B5711	235
148B5570	237	148B5627	256	148B5712	221
148B5571	237	148B5628	257	148B5713	221
148B5572	237	148B5629	256	148B5714	221
148B5573	237	148B5630	235	148B5715	221
148B5574	237	148B5631	235	148B5716	221
148B5575	237	148B5632	235	148B5717	221
148B5576	224	148B5633	235	148B5720	234
148B5576	239	148B5636	269	148B5721	234
148B5576	259	148B5637	269	148B5722	234
148B5576	271	148B5640	236	148B5723	234
148B5576	274	148B5641	236	148B5724	257
148B5577	224	148B5642	221	148B5725	257
148B5577	239	148B5643	221	148B5726	257
148B5577	259	148B5644	221	148B5727	257
148B5577	271	148B5645	221	148B5728	240
148B5577	274	148B5646	247	148B5729	240
148B5578	224	148B5647	247	148B5730	235
148B5578	239	148B5648	247	148B5731	235
148B5578	259	148B5649	247	148B5732	235
148B5578	271	148B5650	237	148B5733	235
148B5578	274	148B5651	237	148B5734	260
148B5579	224	148B5652	224	148B5735	271
148B5579	239	148B5652	240	148B5736	269
148B5579	259	148B5652	260	148B5737	269
148B5579	271	148B5652	271	148B5740	269
148B5579	274	148B5652	274	148B5741	224

148B5741	240	148B5820	234	148B6014	241
148B5741	260	148B5821	234	148B6014	272
148B5741	271	148B5822	240	148B6014	275
148B5741	274	148B5823	240	148B6015	225
148B5742	224	148B5824	260	148B6015	241
148B5742	240	148B5825	271	148B6015	272
148B5742	260	148B5826	257	148B6015	275
148B5742	271	148B5827	274	148B6016	225
148B5742	274	148B5830	235	148B6016	241
148B5743	224	148B5831	235	148B6016	272
148B5743	240	148B5832	224	148B6016	275
148B5743	260	148B5837	269	148B6017	225
148B5743	271	148B5838	269	148B6017	241
148B5743	274	148B5847	247	148B6017	272
148B5744	224	148B5848	247	148B6017	275
148B5744	240	148B5849	247	148B6018	241
148B5744	260	148B5850	247	148B6019	272
148B5744	271	148B5900	234	148B6020	234
148B5744	274	148B5901	234	148B6021	234
148B5745	224	148B5902	269	148B6022	275
148B5745	240	148B5903	269	148B6024	225
148B5745	260	148B5905	221	148B6030	235
148B5745	271	148B5906	221	148B6031	235
148B5745	274	148B5907	221	148B6032	247
148B5746	224	148B5908	221	148B6036	269
148B5746	240	148B5910	235	148B6037	269
148B5746	260	148B5911	235	148B6100	234
148B5746	271	148B5912	225	148B6101	234
148B5746	274	148B5912	241	148B6102	269
148B5747	274	148B5912	272	148B6103	269
148B5748	224	148B5912	275	148B6105	221
148B5753	247	148B5913	225	148B6106	221
148B5754	247	148B5913	241	148B6107	221
148B5755	247	148B5913	272	148B6108	221
148B5756	247	148B5913	275	148B6110	235
148B5800	234	148B5914	225	148B6111	235
148B5801	234	148B5914	241	148B6112	225
148B5802	269	148B5914	272	148B6112	241
148B5803	269	148B5914	275	148B6112	272
148B5806	257	148B5915	225	148B6112	275
148B5809	257	148B5915	241	148B6113	225
148B5810	235	148B5915	272	148B6113	241
148B5811	235	148B5915	275	148B6113	272
148B5812	221	148B5916	241	148B6113	275
148B5813	221	148B5917	241	148B6114	225
148B5814	221	148B5918	272	148B6114	241
148B5815	221	148B5919	275	148B6114	272
148B5816	224	148B5920	234	148B6114	275
148B5816	240	148B5921	234	148B6115	225
148B5816	260	148B5922	225	148B6115	241
148B5816	271	148B5928	247	148B6115	272
148B5816	274	148B5930	235	148B6115	275
148B5817	224	148B5931	235	148B6116	241
148B5817	240	148B5936	269	148B6117	241
148B5817	260	148B5937	269	148B6118	272
148B5817	271	148B6000	234	148B6119	275
148B5817	274	148B6001	234	148B6120	234
148B5818	224	148B6002	269	148B6121	234
148B5818	240	148B6004	269	148B6122	225
148B5818	260	148B6006	221	148B6126	247
148B5818	271	148B6007	221	148B6130	235
148B5818	274	148B6008	221	148B6131	235
148B5819	224	148B6009	221	148B6136	269
148B5819	240	148B6010	235	148B6137	269
148B5819	260	148B6011	235	148B6200	234
148B5819	271	148B6012	241	148B6201	234
148B5819	274	148B6014	225	148B6202	221

Table of contents - Code numbers

148B6203	221	148B6421	241	148B6443	221
148B6204	221	148B6421	272	148B6444	221
148B6205	221	148B6421	275	148B6445	221
148B6210	235	148B6422	225	148F3005	285
148B6211	235	148B6422	241	148F3006	285
148B6220	234	148B6422	272	148F3007	285
148B6221	234	148B6422	275	148F3008	285
148B6230	235	148B6423	225	148F3009	285
148B6231	235	148B6423	241	148F3010	285
148B6300	234	148B6423	272	148F3011	285
148B6301	234	148B6423	275	148F3210	277
148B6302	221	148B6424	223	148F3211	277
148B6303	221	148B6424	238	148F3212	277
148B6304	221	148B6424	258	148F3213	277
148B6305	221	148B6424	270	148F3214	277
148B6310	235	148B6424	273	148F3215	277
148B6311	235	148B6425	223	148F3216	277
148B6320	234	148B6425	239	148F3217	277
148B6321	234	148B6425	259	148F3218	277
148B6330	235	148B6425	270	148F3219	277
148B6331	235	148B6425	273	148F3220	277
148B6401	258	148B6426	223	148F3221	277
148B6401	259	148B6426	239	148F3222	277
148B6402	258	148B6426	259	148F3223	277
148B6402	259	148B6426	270	148F3224	277
148B6403	259	148B6426	273	148F3225	277
148B6403	259	148B6427	224	148F3226	277
148B6403	260	148B6427	239	148F3227	277
148B6404	259	148B6427	259	148F3228	277
148B6404	259	148B6427	271	148F3229	277
148B6404	260	148B6427	274	148F3230	277
148B6414	223	148B6428	224	148F3231	277
148B6414	238	148B6428	240	148F3232	277
148B6414	258	148B6428	260	148F3233	277
148B6414	270	148B6428	271	148F3234	277
148B6414	273	148B6428	274	148F3235	277
148B6415	223	148B6429	224	148F3236	277
148B6415	239	148B6429	240	148F3237	277
148B6415	259	148B6429	260	148F3238	277
148B6415	270	148B6429	271	148F3239	277
148B6415	273	148B6429	274	148F3240	277
148B6416	223	148B6430	224	148F3310	279
148B6416	239	148B6430	240	148F3311	279
148B6416	259	148B6430	260	148F3312	279
148B6416	270	148B6430	271	148F3313	279
148B6416	273	148B6430	274	148F3314	279
148B6417	224	148B6431	225	148F3315	279
148B6417	239	148B6431	241	148F3316	279
148B6417	259	148B6431	272	148F3317	279
148B6417	271	148B6431	275	148F3318	279
148B6417	274	148B6432	225	148F3319	279
148B6418	224	148B6432	241	148F3320	279
148B6418	240	148B6432	272	148F3321	279
148B6418	260	148B6432	275	148F3322	279
148B6418	271	148B6433	225	148F3323	279
148B6418	274	148B6433	241	148F3324	279
148B6419	224	148B6433	272	148F3325	279
148B6419	240	148B6433	275	148F3326	279
148B6419	260	148B6434	234	148F3327	279
148B6419	271	148B6435	234	148F3328	279
148B6419	274	148B6436	234	148F3329	279
148B6420	224	148B6437	234	148F3330	279
148B6420	240	148B6438	235	148F3331	279
148B6420	260	148B6439	235	148F3332	279
148B6420	271	148B6440	235	148F3333	279
148B6420	274	148B6441	235	148F3334	279
148B6421	225	148B6442	221	148F3335	279

148F3336	279	148H3119	222	148H3450	222
148F3337	279	148H3120	222	148H3451	249
148F3338	279	148H3121	222	148H3452	249
148F3339	279	148H3122	222	148H5000	335
148F3340	279	148H3123	222	148H5001	335
148F4000	278	148H3124	222	148H5002	335
148F4001	278	148H3125	222	148H5003	336
148F4002	278	148H3126	222	148H5005	336
148F4003	278	148H3127	222	148H5006	336
148F4004	278	148H3128	222	148H5007	337
148F4005	278	148H3129	222	148H5009	335
148F4006	278	148H3130	222	148H5010	335
148F4007	278	148H3131	222	148H5011	335
148F4008	278	148H3132	222	148H5012	335
148F4009	278	148H3133	222	148H5013	336
148F4010	278	148H3134	222	148H5015	336
148F4011	278	148H3135	222	148H5016	336
148F4012	278	148H3138	222	148H5017	337
148F4013	278	148H3139	222	148H5019	335
148F4014	278	148H3140	222	148H5020	335
148F4015	278	148H3141	222	148H5021	335
148F4016	278	148H3142	222	148H5022	335
148F4017	278	148H3143	222	148H5023	336
148F4018	278	148H3144	222	148H5026	336
148F4019	278	148H3145	222	148H5027	337
148F4020	278	148H3146	222	148H5028	337
148F4021	278	148H3147	222	148H5029	336
148F4022	278	148H3148	222	148H5030	335
148F4023	278	148H3149	222	148H5031	335
148F4024	278	148H3150	222	148H5032	335
148F4025	278	148H3151	222	148H5033	336
148F4026	278	148H3152	222	148H5039	336
148F4027	278	148H3153	222	148H5040	335
148F4028	278	148H3154	222	148H5042	335
148F4029	278	148H3155	222	148H5049	336
148F4030	278	148H3156	222	148H5050	335
148F4100	279	148H3157	222	148H5052	335
148F4101	279	148H3179	222	148H5053	336
148F4102	279	148H3180	222	148H5055	336
148F4103	279	148H3181	222	148H5059	335
148F4104	279	148H3182	222	148H5060	335
148F4105	279	148H3183	222	148H5065	336
148F4106	279	148H3184	222	148H5070	335
148F4107	279	148H3185	222	148H5071	335
148F4108	279	148H3186	222	148H5072	336
148F4109	279	148H3187	222	148H5073	336
148F4110	279	148H3188	222	148H5082	336
148F4111	279	148H3189	222	148H5092	336
148F4112	279	148H3190	222	148H5100	335
148F4113	279	148H3191	222	148H5101	335
148F4114	279	148H3192	222	148H5102	335
148F4115	279	148H3193	222	148H5107	337
148F4116	279	148H3226	222	148H5109	336
148F4117	279	148H3269	222	148H5110	335
148F4118	279	148H3272	249	148H5111	335
148F4119	279	148H3273	249	148H5112	335
148F4120	279	148H3274	249	148H5113	336
148F4121	279	148H3297	222	148H5117	337
148F4122	279	148H3301	222	148H5119	336
148F4123	279	148H3302	222	148H5120	335
148F4124	279	148H3303	222	148H5121	335
148F4125	279	148H3304	222	148H5127	337
148F4126	279	148H3310	249	148H5129	336
148F4127	279	148H3311	249	148H5190	335
148F4128	279	148H3363	222	148H5191	335
148F4129	279	148H3447	222	148H5193	336
148F4130	279	148H3448	222	148H5200	338

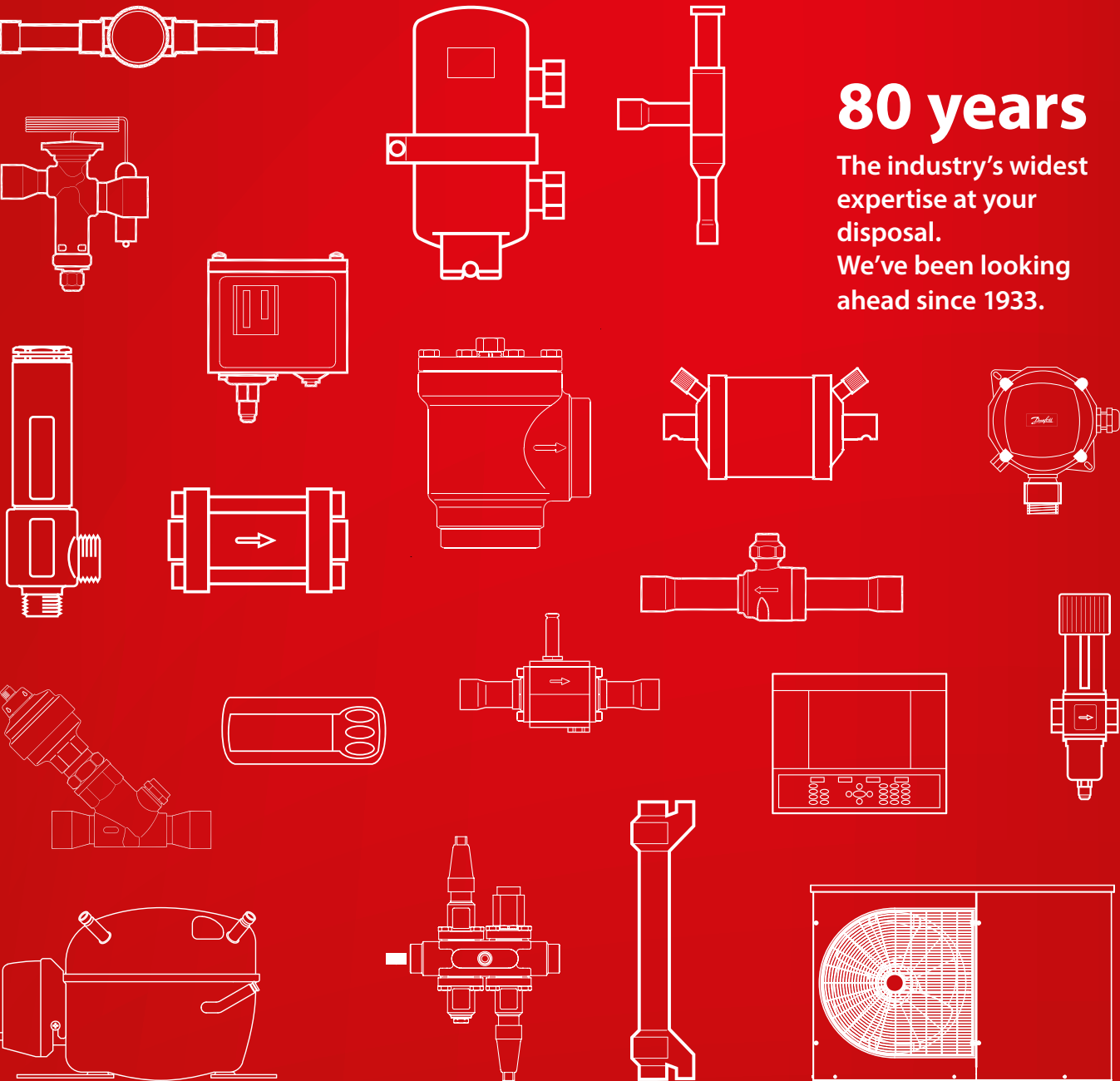
Table of contents - Code numbers

148H5201	338	2416+254	281	2512+078	203
148H5202	338	2416+255	281	2512+079	203
148H5203	338	2416+256	281	2512+080	203
148H5204	338	2416+257	281	2512+081	203
148H5205	338	2416+258	281	2512+082	203
148H5206	338	2416+259	281	2512+083	203
148H5207	338	2416+260	281	2512+084	203
148H5208	338	2416+261	281	023Z8250	170
148H5209	338	2416+262	281	7703251	451
148H5210	338	2416+263	281	7703251	451
148H5211	338	2416+264	281	7703251	451
148H5212	338	2416+265	281	7703371	451
148H5213	338	2416+266	281	7703371	451
148H5214	338	2416+267	281	7703384	451
148H5215	338	2416+268	281	7703384	451
148H5230	338	2416+269	281	7703390	451
148H5232	338	2416+270	281	7703390	451
148H5234	338	2416+271	281	7703390	451
148H5235	338	2416+272	281	7703390	451
148H5236	338	2416+273	281	7703390	451
148H5238	338	2416+274	281	7754019	533
148H5239	338	2416+275	281	7754019	533
148H5240	338	2416+285	282	7765012	451
148H5241	338	2416+286	282	7765012	451
148H5242	338	2416+287	282	7765012	451
148H5243	338	2416+288	282	7765013	451
148H5246	338	2416+289	282	7765013	451
148H5247	338	2416+290	282	7765017	451
148H5248	338	2416+291	282	7765017	451
148H5249	338	2416+292	282	7765025	451
148H5250	338	2416+293	282	7765025	451
148H5254	338	2416+294	282	7765025	451
148H5260	338	2416+295	282	7765025	451
148H5261	338	2416+296	282	7765025	451
148H5262	338	2416+297	282	7765025	451
148H5263	338	2416+298	282	7765025	451
148H5264	338	2416+299	282	7765027	451
148H5265	338	2416+300	282	7765027	451
148H5267	338	2416+301	282	7777037	449
148H5268	338	2416+302	282	7777037	449
148H5269	338	2416+303	282	7777037	449
148H5273	338	2416+304	282	7777037	464
148H5275	338	2416+305	282	7777037	464
195B0323	530	2416+306	282	7777038	449
195B0332	532	2416+307	282	7777038	449
195B0345	530	2416+308	282	7777039	450
195B0391	530	2512+049	203	7777039	450
195B0399	532	2512+050	203	7777039	450
195B0624	530	2512+051	203	7777040	450
2416+150	281	2512+052	203	7777040	450
2416+151	281	2512+053	203	7777040	450
2416+152	281	2512+054	203	7777040	450
2416+153	281	2512+055	203	7777040	450
2416+154	281	2512+056	203	7777041	449
2416+155	281	2512+057	203	7777041	449
2416+160	282	2512+058	203	7777041	449
2416+161	282	2512+059	203	7777041	449
2416+162	282	2512+060	203	7777041	464
2416+163	282	2512+061	203	7777041	464
2416+164	282	2512+062	203	7777041	464
2416+165	282	2512+066	203	7777042	449
2416+183	281	2512+067	203	7777042	449
2416+184	281	2512+068	203	7777042	449
2416+186	282	2512+069	203	7777043	449
2416+187	282	2512+070	203	7777043	449
2416+241	281	2512+071	203	7777043	449
2416+242	281	2512+072	203	7777044	449

7777044	449	SY185-4RI	436	SZ175-9CAI	437
7777044	449	SY240A3CBI	436	SZ175-9RI	437
7777044	449	SY240A3PBI	436	SZ185-3CAI	437
7777044	449	SY240A4CAI	436	SZ185-3RI	437
7777044	464	SY240A4CBI	436	SZ185-4CAI	437
7777048	449	SY240A4PAI	436	SZ185-4PCI	437
7777048	464	SY240A4PBI	436	SZ185-4RI	437
7777049	450	SY240A6CBI	436	SZ185-4SCI	437
7777052	449	SY240A6PBI	436	SZ185-4XCI	437
7777052	449	SY240A7CBI	436	SZ185-6CAI	437
7777052	449	SY240A7PBI	436	SZ185-6RI	437
7777053	449	SY240A9CBI	436	SZ185-7CAI	437
7777053	464	SY240A9PBI	436	SZ185-7RI	437
SM084-4VI	436	SY300A3CBI	436	SZ185-7SCI	437
SM084-7VI	436	SY300A3PBI	436	SZ185-9CAI	437
SM084-9VI	436	SY300A4CAI	436	SZ185-9RI	437
SM090-3VI	436	SY300A4CBI	436	SZ185-9XCI	437
SM090-4VI	436	SY300A4PAI	436	SZ185-9YCI	437
SM090-6VI	436	SY300A4PBI	436	SZ240A3PBI	437
SM090-7VI	436	SY300A6CBI	436	SZ240A4CAI	437
SM090-9VI	436	SY300A6PBI	436	SZ240A4CBI	437
SM100-3VI	436	SY300A7CBI	436	SZ240A4PAI	437
SM100-4VI	436	SY300A7PBI	436	SZ240A4PBI	437
SM100-7VI	436	SY300A9CBI	436	SZ240A6CBI	437
SM100-9VI	436	SY300A9PBI	436	SZ240A6PBI	437
SM110-3VI	436	SY380A4CAI	436	SZ240A7PBI	437
SM110-4VI	436	SY380A4CBI	436	SZ240A9CBI	437
SM110-6VI	436	SZ084-3VI	437	SZ240A9PBI	437
SM110-7VI	436	SZ084-4VI	437	SZ300A3CBI	437
SM110-9VI	436	SZ084-6VI	437	SZ300A3PBI	437
SM120-3VI	436	SZ084-9VI	437	SZ300A4CAI	437
SM120-4VI	436	SZ090-3VI	437	SZ300A4CBI	437
SM120-6VI	436	SZ090-4VI	437	SZ300A4PAI	437
SM120-7VI	436	SZ090-6VI	437	SZ300A4PBI	437
SM120-9VI	436	SZ090-9VI	437	SZ300A6CBI	437
SM148-3VAI	436	SZ100-3VI	437	SZ300A7CBI	437
SM148-4VAI	436	SZ100-4VI	437	SZ300A7PBI	437
SM148-6VAI	436	SZ100-6VI	437	SZ300A9CBI	437
SM148-9VAI	436	SZ100-7VI	437	SZ300A9PBI	437
SM161-3VAI	436	SZ100-9VI	437	SZ380A4CAI	437
SM161-4VAI	436	SZ110-3VI	437	SZ380A4CBI	437
SM161-7VAI	436	SZ110-4VI	437		
SM161-9VAI	436	SZ110-6VI	437		
SM175-3CAI	436	SZ110-7VI	437		
SM175-3SCI	436	SZ110-9VI	437		
SM175-4CAI	436	SZ120-3VI	437		
SM175-4PCI	436	SZ120-4VI	437		
SM175-4RI	436	SZ120-6VI	437		
SM175-4SCI	436	SZ120-7VI	437		
SM175-6CAI	436	SZ120-9VI	437		
SM175-7CAI	436	SZ148-3VAI	437		
SM175-7SCI	436	SZ148-4VAI	437		
SM185-3CAI	436	SZ148-6VAI	437		
SM185-3RI	436	SZ148-9VAI	437		
SM185-3SCI	436	SZ161-3VAI	437		
SM185-4CAI	436	SZ161-4VAI	437		
SM185-4PCI	436	SZ161-6VAI	437		
SM185-4RI	436	SZ161-9VAI	437		
SM185-4YCI	436	SZ175-3CAI	437		
SM185-6RI	436	SZ175-3SCI	437		
SM185-7CAI	436	SZ175-4CAI	437		
SM185-7SCI	436	SZ175-4PCI	437		
SM185-9CAI	436	SZ175-4RI	437		
SM185-9RI	436	SZ175-4SCI	437		
SM185-9XCI	436	SZ175-6CAI	437		
SM185-9YCI	436	SZ175-7CAI	437		
SY185-4CAI	436	SZ175-7SCI	437		

REFRIGERATION & AIR CONDITIONING

Automatic Controls | Electronic Controllers | Compressors and Condensing Units



80 years

The industry's widest
expertise at your
disposal.
We've been looking
ahead since 1933.

Danfoss can accept no responsibility for possible errors in catalogues, brochures and other printed material. Danfoss reserves the right to alter its products without notice. This also applies to products already on order provided that such alterations can be made without subsequential changes being necessary in specifications already agreed. All trademarks in this material are property of the respective companies. Danfoss and the Danfoss logotype are trademarks of Danfoss A/S. All rights reserved.