


## Selection Table

Detailed number of poles:		4 P (3 P + PE)									
Rated operational current:		0 – 16 A									
Ambient temperature °C:		-30 ... +55 °C									
Cable diameter:		–									
Cable diameter 2:		–									
Auxiliary contact exist:		No									
Figure	Coding (clock hour position)	Rated operational voltage AC	Rated operational voltage DC	Identification colour	Frequency range	Plate with threaded hole	Cable entry	Plug	Art. No.	PS	Weight kg
	5	600 – 690 V	–	black	50 – 60 Hz	with 2 x M25-M20	to be ordered as accessory	1 x M20	218962	10	1.350
	6	380 – 415 V	–	red	50 – 60 Hz	with 2 x M25 x 1,5	to be ordered as accessory	2 x M25	203142	10	1.350
	6	380 – 415 V	–	red	50 – 60 Hz	with 2 x M25-M20	to be ordered as accessory	1 x M20	214066	10	1.350
	7	480 – 500 V	–	black	50 – 60 Hz	with 2 x M25-M20	to be ordered as accessory	1 x M20	218961	10	1.350
	9	200 – 250 V	–	blue	50 – 60 Hz	with 2 x M25-M20	to be ordered as accessory	1 x M20	218959	10	1.350
Detailed number of poles:		5 P (3 P + N + PE)									
Rated operational current:		0 – 16 A									
Ambient temperature °C:		-30 ... +55 °C									
Cable diameter:		7 – 17 mm									
Cable diameter 2:		7 – 17 mm									
Auxiliary contact exist:		Yes									
Figure	Coding (clock hour position)	Rated operational voltage AC	Rated operational voltage DC	Identification colour	Frequency range	Plate with threaded hole	Cable entry	Plug	Art. No.	PS	Weight kg
	6	200 – 240 V / 346 – 415 V	–	red	50 – 60 Hz	–	2 x M25	–	218964 ▲	10	1.600
Detailed number of poles:		5 P (3 P + N + PE)									
Rated operational current:		0 – 16 A									
Ambient temperature °C:		-30 ... +55 °C									
Cable diameter:		7 – 17 mm									
Cable diameter 2:		–									
Auxiliary contact exist:		No									
Figure	Coding (clock hour position)	Rated operational voltage AC	Rated operational voltage DC	Identification colour	Frequency range	Plate with threaded hole	Cable entry	Plug	Art. No.	PS	Weight kg
	3	220 – 380 V	–	red	50 – 50 Hz	–	1 x M25	1 x M25	218312	10	1.450
	4	57 – 100 V / 75 – 130 V	–	yellow	50 – 60 Hz	–	1 x M25	1 x M25	218313	10	1.450
	5	347 – 400 V / 600 – 690 V	–	black	50 – 60 Hz	–	1 x M25	1 x M25	150527	10	1.450
	6	200 – 240 V / 346 – 415 V	–	red	50 – 60 Hz	–	1 x M25	1 x M25	150494 ▲	10	1.450
	7	277 – 288 V / 480 – 500 V	–	black	50 – 60 Hz	–	1 x M25	1 x M25	150508 ▲	10	1.450
	9	120 – 144 V / 208 – 250 V	–	blue	50 – 60 Hz	–	1 x M25	1 x M25	150518 ▲	10	1.450
	11	250 – 265 V / 440 – 460 V	–	red	60 – 60 Hz	–	1 x M25	1 x M25	150538	10	1.450

## Selection Table

Detailed number of poles:	5 P (3 P + N + PE)
Rated operational current:	0 – 16 A
Ambient temperature °C:	-30 ... +55 °C
Cable diameter:	–
Cable diameter 2:	–
Auxiliary contact exist:	No

Figure	Coding (clock hour position)	Rated operational voltage AC	Rated operational voltage DC	Identification colour	Frequency range	Plate with threaded hole	Cable entry	Plug	Art. No.	PS	Weight kg
	6	200 – 240 V / 346 – 415 V	–	red	50 – 60 Hz	with 2 x M25- M20	to be ordered as accessory	1 x M20	214067	10	1.450

Variants with temperature range of -50 ... +55 °C available on request

For information on compatible plugs, see page 679

Plate for threaded holes: made of brass, for metal cable glands

For information on cable glands and other accessories, see Chapter E10, page 990

## Technical Data

### Explosion Protection

Certificate IECEX Gas	IECEX PTB 05.0023
Certificate ATEX Gas	PTB 03 ATEX 1227
Certificate IECEX Dust	IECEX PTB 05.0023
Certificate ATEX Dust	PTB 03 ATEX 1227
Gas explosion protection IECEX	Ex db eb IIC T6 Gb
Gas explosion protection ATEX	Ⓜ II 2 G Ex db eb IIC T6 Gb
Dust explosion protection IECEX	Ex tb IIIC T80 °C Db
Dust explosion protection ATEX	Ⓜ II 2 D Ex tb IIIC T80 °C Db
Certificates	ATEX (PTB), Brazil (ULB), Canada (CSA), EAC (STV), IECEX (PTB)

### Mechanical Data

Type of protection (IP)	IP66
Type of protection note	according to IEC/EN 60529
Enclosure material	Polyamide, glass fibre-reinforced
Silicone-free	Yes
Connection terminals min.	1.5 mm <sup>2</sup>
Connection terminals solid max.	2 x 6 mm <sup>2</sup>
Connection terminals finely-stranded max.	2 x 4 mm <sup>2</sup>
Padlockable in	in 0 and I position

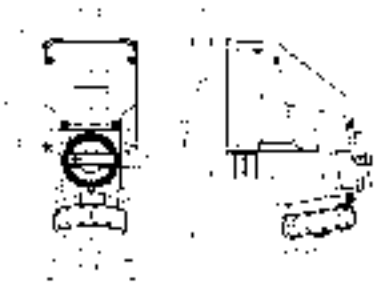
### Components

Cable entry note	positioning on the top or at the side, according to the order
------------------	---

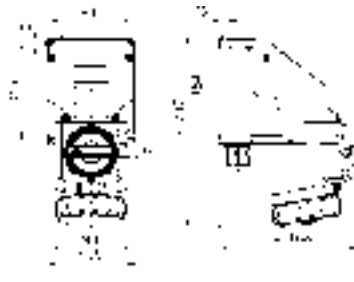
You can find more technical data online at [r-stahl.com](http://r-stahl.com)

Accessories found on page 725

**Dimensional Drawings (All Dimensions in mm [inches]) – Subject to Alterations**



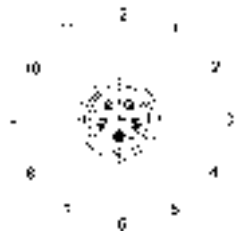
Wall-mounting socket 4-pole / 5-pole



Wall-mounting socket 3-pole

**Arrangement of the Earth Contact Sleeves**

Example:  
Clock hour position,  
Front view of socket



Example:  
Clock hour position



230 V = 6 h

Marking of connections  
Front view of socket



2 P + PE



3 P + PE



3 P + N + PE



- Degree of protection IP66, suitable for Zones 1, 2, 21 and 22 worldwide, extreme temperature range of -50 ... +55 °C
- No impact of torsional forces from the cable on the seal
- Full compatibility between SolConeX and CES devices
- Variants for use in the US / Canada upon request

WebCode **8570E**



R. STAHL Series 8570/12 SolConeX plugs for Zone 1/21 are 3-, 4- or 5-pole 16 A plugs. The floating pins allow them to be inserted and removed quickly and easily. The pivoting strain relief makes it easier to install the cable. Self-cleaning and corrosion-free plug pins made from high-quality materials ensure optimum electrical contact.

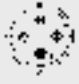
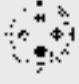
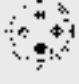
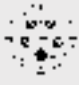
	ATEX / IECEx					
Zone	0	1	2	20	21	22
Installation in		•	•		•	•

E3

Selection Table									
Detailed number of poles:		3 P (1 P + N + PE)							
Rated operational current:		0 – 16 A							
Ambient temperature °C:		-50 ... +55 °C							
Silicone-free:		No							
Figure	Coding (clock hour position)	Rated operational voltage AC	Rated operational voltage DC	Identification colour	Frequency range	Product Type	Art. No.	PS	Weight kg
	4	100 – 130 V	–	yellow	50 – 60 Hz	8570/12-304	257778 ▲	10	0.420
	5	277 – 277 V	–	light grey	60 – 60 Hz	8570/12-305	257779	10	0.420
Detailed number of poles:		3 P (1 P + N + PE)							
Rated operational current:		0 – 16 A							
Ambient temperature °C:		-30 ... +55 °C							
Silicone-free:		Yes							
Figure	Coding (clock hour position)	Rated operational voltage AC	Rated operational voltage DC	Identification colour	Frequency range	Product Type	Art. No.	PS	Weight kg
	4	100 – 130 V	–	yellow	50 – 60 Hz	8570/12-304	150599 ▲	10	0.420
	5	277 – 277 V	–	light grey	60 – 60 Hz	8570/12-305	150583	10	0.420

### Selection Table

Detailed number of poles:		3 P (2 P + PE)							
Rated operational current:		0 – 12 A							
Ambient temperature °C:		-50 ... +55 °C							
Silicone-free:		No							
Figure	Coding (clock hour position)	Rated operational voltage AC	Rated operational voltage DC	Identification colour	Frequency range	Product Type	Art. No.	PS	Weight kg
	2	50 – 50 V	–	green	300 – 500 Hz	8570/12-302	257776	10	0.420
Detailed number of poles:		3 P (2 P + PE)							
Rated operational current:		0 – 12 A							
Ambient temperature °C:		-30 ... +55 °C							
Silicone-free:		Yes							
Figure	Coding (clock hour position)	Rated operational voltage AC	Rated operational voltage DC	Identification colour	Frequency range	Product Type	Art. No.	PS	Weight kg
	2	50 – 50 V	–	green	300 – 500 Hz	8570/12-302	150595	10	0.420
Detailed number of poles:		3 P (2 P + PE)							
Rated operational current:		0 – 16 A							
Ambient temperature °C:		-50 ... +55 °C							
Silicone-free:		No							
Figure	Coding (clock hour position)	Rated operational voltage AC	Rated operational voltage DC	Identification colour	Frequency range	Product Type	Art. No.	PS	Weight kg
	3	–	50 – 110 V	light grey	–	8570/12-303	257777 ▲	10	0.420
	6	200 – 250 V	–	blue	50 – 60 Hz	8570/12-306	257780	10	0.420
	7	480 – 500 V	–	black	50 – 60 Hz	8570/12-307	257970	10	0.420
	9	380 – 415 V	–	red	50 – 60 Hz	8570/12-309	258031	10	0.420
Detailed number of poles:		3 P (2 P + PE)							
Rated operational current:		0 – 16 A							
Ambient temperature °C:		-30 ... +55 °C							
Silicone-free:		Yes							
Figure	Coding (clock hour position)	Rated operational voltage AC	Rated operational voltage DC	Identification colour	Frequency range	Product Type	Art. No.	PS	Weight kg
	3	–	50 – 110 V	light grey	–	8570/12-303	150591 ▲	10	0.420
	6	200 – 250 V	–	blue	50 – 60 Hz	8570/12-306	150579 ▲	10	0.420
	7	480 – 500 V	–	black	50 – 60 Hz	8570/12-307	150587	10	0.420
	9	380 – 415 V	–	red	50 – 60 Hz	8570/12-309	220031	10	0.420
Detailed number of poles:		4 P (3 P + PE)							
Rated operational current:		0 – 12 A							
Ambient temperature °C:		-50 ... +55 °C							
Silicone-free:		No							
Figure	Coding (clock hour position)	Rated operational voltage AC	Rated operational voltage DC	Identification colour	Frequency range	Product Type	Art. No.	PS	Weight kg
	2	50 – 50 V	–	green	300 – 500 Hz	8570/12-402	258046	10	0.420
	10	50 – 50 V	–	green	100 – 300 Hz	8570/12-410	258044 ▲	10	0.420

Selection Table									
Detailed number of poles: Rated operational current: Ambient temperature °C: Silicone-free:		4 P (3 P + PE) 0 – 12 A -30 ... +55 °C Yes							
Figure	Coding (clock hour position)	Rated operational voltage AC	Rated operational voltage DC	Identification colour	Frequency range	Product Type	Art. No.	PS	Weight kg
	2	50 – 50 V	–	green	300 – 500 Hz	8570/12-402	219949	10	0.380
	10	50 – 50 V	–	green	100 – 300 Hz	8570/12-410	150571 ▲	10	0.380
Detailed number of poles: Rated operational current: Ambient temperature °C: Silicone-free:		4 P (3 P + PE) 0 – 16 A -50 ... +55 °C No							
Figure	Coding (clock hour position)	Rated operational voltage AC	Rated operational voltage DC	Identification colour	Frequency range	Product Type	Art. No.	PS	Weight kg
	3	380 – 380 V	–	red	50 – 50 Hz	8570/12-403	258045	10	0.420
	4	100 – 130 V	–	yellow	50 – 60 Hz	8570/12-404	258047 ▲	10	0.420
	5	600 – 690 V	–	black	50 – 60 Hz	8570/12-405	258042 ▲	10	0.420
	6	380 – 415 V	–	red	50 – 60 Hz	8570/12-406	258039 ▲	10	0.420
	7	480 – 500 V	–	black	50 – 60 Hz	8570/12-407	258040 ▲	10	0.420
	9	200 – 250 V	–	blue	50 – 60 Hz	8570/12-409	258041 ▲	10	0.420
	11	440 – 460 V	–	red	60 – 60 Hz	8570/12-411	258043	10	0.420
Detailed number of poles: Rated operational current: Ambient temperature °C: Silicone-free:		4 P (3 P + PE) 0 – 16 A -30 ... +55 °C Yes							
Figure	Coding (clock hour position)	Rated operational voltage AC	Rated operational voltage DC	Identification colour	Frequency range	Product Type	Art. No.	PS	Weight kg
	3	380 – 380 V	–	red	50 – 50 Hz	8570/12-403	219948	10	0.380
	4	100 – 130 V	–	yellow	50 – 60 Hz	8570/12-404	219950 ▲	10	0.380
	5	600 – 690 V	–	black	50 – 60 Hz	8570/12-405	150563	10	0.380
	6	380 – 415 V	–	red	50 – 60 Hz	8570/12-406	150551 ▲	10	0.380
	7	480 – 500 V	–	black	50 – 60 Hz	8570/12-407	150555 ▲	10	0.380
	9	200 – 250 V	–	blue	50 – 60 Hz	8570/12-409	150559 ▲	10	0.380
	11	440 – 460 V	–	red	60 – 60 Hz	8570/12-411	150567	10	0.380
Detailed number of poles: Rated operational current: Ambient temperature °C: Silicone-free:		5 P (3 P + N + PE) 0 – 16 A -50 ... +55 °C No							
Figure	Coding (clock hour position)	Rated operational voltage AC	Rated operational voltage DC	Identification colour	Frequency range	Product Type	Art. No.	PS	Weight kg
	3	220 – 380 V	–	red	50 – 50 Hz	8570/12-503	258037	10	0.420
	4	57 – 75 V / 100 – 130 V	–	yellow	50 – 60 Hz	8570/12-504	258038	10	0.420
	5	347 – 400 V / 600 – 690 V	–	black	50 – 60 Hz	8570/12-505	258035	10	0.420
	6	200 – 240 V / 346 – 415 V	–	red	50 – 60 Hz	8570/12-506	258032 ▲	10	0.420
	7	277 – 288 V / 480 – 500 V	–	black	50 – 60 Hz	8570/12-507	258033 ▲	10	0.420
	9	120 – 144 V / 208 – 250 V	–	blue	50 – 60 Hz	8570/12-509	258034 ▲	10	0.420
	11	250 – 265 V / 440 – 460 V	–	red	60 – 60 Hz	8570/12-511	258036	10	0.420

### Selection Table

Detailed number of poles: 5 P (3 P + N + PE)  
 Rated operational current: 0 – 16 A  
 Ambient temperature °C: -30 ... +55 °C  
 Silicone-free: Yes

Figure	Coding (clock hour position)	Rated operational voltage AC	Rated operational voltage DC	Identification colour	Frequency range	Product Type	Art. No.	PS	Weight kg
	3	220 – 380 V	–	red	50 – 50 Hz	8570/12-503	219946	10	0.450
	4	57 – 75 V / 100 – 130 V	–	yellow	50 – 60 Hz	8570/12-504	219947	10	0.450
	5	347 – 400 V / 600 – 690 V	–	black	50 – 60 Hz	8570/12-505	150528	10	0.430
	6	200 – 240 V / 346 – 415 V	–	red	50 – 60 Hz	8570/12-506	150495 ▲	10	0.430
	7	277 – 288 V / 480 – 500 V	–	black	50 – 60 Hz	8570/12-507	150509 ▲	10	0.430
	9	120 – 144 V / 208 – 250 V	–	blue	50 – 60 Hz	8570/12-509	150519 ▲	10	0.430
	11	250 – 265 V / 440 – 460 V	–	red	60 – 60 Hz	8570/12-511	150539	10	0.430

### Technical Data

#### Explosion Protection

Certificate IECEX Gas	IECEX PTB 05.0023
Certificate ATEX Gas	PTB 03 ATEX 1227
Certificate IECEX Dust	IECEX PTB 05.0023
Certificate ATEX Dust	PTB 03 ATEX 1227
Gas explosion protection IECEX	Ex db eb IIC T6 Gb
Gas explosion protection ATEX	Ⓜ II 2 G Ex db eb IIC T6 Gb
Dust explosion protection IECEX	Ex tb IIIC T80 °C Db
Dust explosion protection ATEX	Ⓜ II 2 D Ex tb IIIC T80 °C Db
Certificates	ATEX (PTB), Brazil (ULB), Canada (CSA), EAC (STV), IECEX (PTB)

#### Ambient Conditions

Notes Silicone is used as a sealing material for variants with an ambient temperature of -50 °C.

#### Mechanical Data

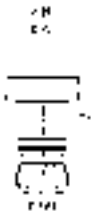
Type of protection (IP)	IP66
Type of protection note	according to IEC/EN 60529
Enclosure material	Polyamide, glass fibre-reinforced
Connection terminals min.	1.5 mm <sup>2</sup>
Connection terminals finely-stranded max.	2 x 4 mm <sup>2</sup>

#### Components

Cable diameter	8 – 18 mm	
Cable diameter note	Ring 1 + 2 + 3 + 4:	8 ... 11 mm
	Ring 2 + 3 + 4:	11 ... 15 mm
	Ring 3 + 4:	15 ... 18 mm

Accessories found on page 725

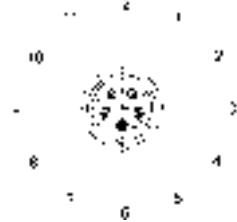
Dimensional Drawings (All Dimensions in mm [inches]) – Subject to Alterations



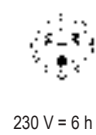
3 P (2 P + PE):	A = 43.5 mm B = 76 mm
4 P (3 P + PE):	A = 49 mm B = 89 mm
5 P (3 P + N + PE):	A = 56.5 mm B = 92 mm

Arrangement of the Earth Contact Sleeves

Example:  
Clock hour position,  
Front view of plug



Example:  
Clock hour position



Marking of connections  
Front view of plug





- Zones 1, 2, 21, 22, degree of protection IP66, extreme temperature range of -50 ... +65 °C
- Full AC-3 switching capacity according to IEC/EN 60947-3
- Wear-free contacts even in aggressive atmosphere
- Small dimensions

WebCode **8572A**



The sockets in the new R. STAHL Series 8572/13 are 16 A compact sockets for voltages up to 277 V. Self-cleaning lamellar contacts provide optimum contact. Compact dimensions and a deep-drawn enclosure are required for fast electrical installation. The integrated locking mechanism prevents disconnection under load.

	ATEX / IECEx					
Zone	0	1	2	20	21	22
Installation in		•	•		•	•

### Selection Table

Detailed number of poles:		3 P (1 P + N + PE)									
Rated operational current:		0 – 16 A									
Ambient temperature °C:		-50 ... +65 °C									
Cable diameter:		7 – 17 mm									
Silicone-free:		No									
Figure	Coding (clock hour position)	Rated operational voltage AC	Rated operational voltage DC	Identification colour	Frequency range	Cable entry	Plug	Product Type	Art. No.	PS	Weight kg
	4	100 – 130 V	–	yellow	50 – 60 Hz	1 x M25	1 x M25	8572/13-304	242336	10	0.380
	5	277 – 277 V	–	light grey	60 – 60 Hz	1 x M25	1 x M25	8572/13-305	242335	10	0.380
Detailed number of poles:		3 P (2 P + PE)									
Rated operational current:		0 – 12 A									
Ambient temperature °C:		-50 ... +45 °C									
Cable diameter:		7 – 17 mm									
Silicone-free:		No									
Figure	Coding (clock hour position)	Rated operational voltage AC	Rated operational voltage DC	Identification colour	Frequency range	Cable entry	Plug	Product Type	Art. No.	PS	Weight kg
	2	50 – 50 V	–	green	300 – 500 Hz	1 x M25	1 x M25	8572/13-302	242338	10	0.380

## Selection Table

Detailed number of poles: 3 P (2 P + PE)  
 Rated operational current: 0 – 16 A  
 Ambient temperature °C: -50 ... +65 °C  
 Cable diameter: 7 – 17 mm  
 Silicone-free: No

Figure	Coding (clock hour position)	Rated operational voltage AC	Rated operational voltage DC	Identification colour	Frequency range	Cable entry	Plug	Product Type	Art. No.	PS	Weight kg
	3	–	50 – 110 V	light grey	–	1 x M25	1 x M25	8572/13-303	242337	10	0.380
	6	200 – 250 V	–	blue	50 – 60 Hz	1 x M25	1 x M25	8572/13-306	242334	10	0.380
	12	220 – 250 V	–	blue	50 – 60 Hz	1 x M25	1 x M25	8572/13-312	242339	10	0.380

The current must be reduced to 12 A for frequencies > 100 Hz  
 For information on compatible plugs, see page 679  
 For information on cable glands, see Chapter E10, page 990

## Technical Data

### Explosion Protection

Certificate IECEX Gas	IECEX PTB 16.0027
Certificate ATEX Gas	PTB 16 ATEX 1015
Certificate IECEX Dust	IECEX PTB 16.0027
Certificate ATEX Dust	PTB 16 ATEX 1015
Gas explosion protection IECEx	Ex db eb IIC T6 Gb
Gas explosion protection ATEX	Ⓔ II 2 G Ex db eb IIC T6 Gb
Dust explosion protection IECEx	Ex tb IIIC T75 °C Db
Dust explosion protection ATEX	Ⓔ II 2 D Ex tb IIIC T75 °C Db
Certificates	ATEX (PTB), China (CQST), EAC (CCVE), IECEx (PTB)

### Electrical Data

Auxiliary contact exist No

### Ambient Conditions

Notes Silicone is used as a sealing material for variants with an ambient temperature of -50 °C.

### Mechanical Data

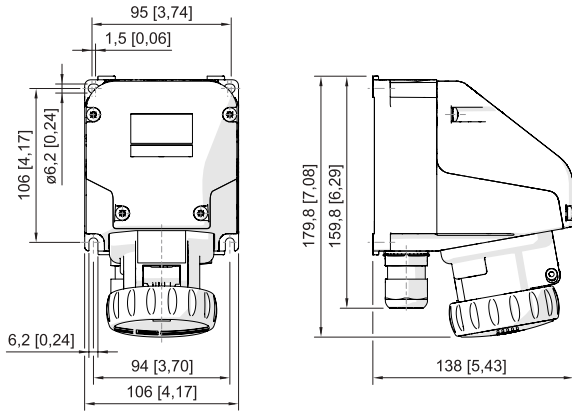
Type of protection (IP)	IP66
Type of protection note	according to IEC/EN 60529
Enclosure material	Polyamide, glass fibre-reinforced
Connection terminals min.	0.75 mm <sup>2</sup>
Connection terminals solid max.	2 x 4 mm <sup>2</sup>
Connection terminals finely-stranded max.	2 x 4 mm <sup>2</sup>

### Components

Cable entry note according to order, positioning on the top or at the side also possible  
 optional: on the top max. 2 x M25 x 1.5  
 also available with stopping plugs or metallic entries

Accessories found on page 725

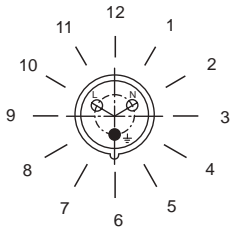
Dimensional Drawings (All Dimensions in mm [inches]) – Subject to Alterations



Wall-mounting socket, compact 3-pole

Arrangement of the Earth Contact Sleeves

Example:  
Clock hour position,  
Front view of socket



Example:  
Clock hour position



200 ... 250 V = 6 h

Marking of connections  
Front view of socket



2 P + PE



1 P + N + PE



- Zones 1, 2, 21, 22, degree of protection IP66, extreme temperature range of -50 ... +55 °C
- Full AC-3 switching capacity according to IEC/EN 60947-3
- Wear-free, corrosion-resistant contacts even in aggressive atmosphere

WebCode **8572B**



R. STAHL Series 8572/14 coupler are 3-pole 16 A compact coupler made from robust plastic for voltages up to 277 V. Self-cleaning lamellar contacts provide optimum contact and the floating pins allow the plugs to be inserted and removed in the zero position with minimum effort. The integrated locking mechanism prevents disconnection under load.

	ATEX / IECEx					
Zone	0	1	2	20	21	22
Installation in		•	•		•	•

E3

Selection Table									
Detailed number of poles:		3 P (1 P + N + PE)							
Product Description:		Coupler socket							
Rated operational current:		0 – 16 A							
Ambient temperature °C:		-50 ... +45 °C							
Figure	Coding (clock hour position)	Rated operational voltage AC	Rated operational voltage DC	Identification colour	Frequency range	Product Type	Art. No.	PS	Weight kg
	4	100 – 130 V	–	yellow	50 – 60 Hz	8572/14-304	242343	10	0.380
	5	277 – 277 V	–	light grey	60 – 60 Hz	8572/14-305	242342	10	0.380
Detailed number of poles:		3 P (2 P + PE)							
Product Description:		Coupler socket							
Rated operational current:		0 – 12 A							
Ambient temperature °C:		-50 ... +55 °C							
Figure	Coding (clock hour position)	Rated operational voltage AC	Rated operational voltage DC	Identification colour	Frequency range	Product Type	Art. No.	PS	Weight kg
	2	50 – 50 V	–	green	300 – 500 Hz	8572/14-302	242345	10	0.380

## Selection Table

Detailed number of poles: 3 P (2 P + PE)  
 Product Description: Coupler socket  
 Rated operational current: 0 – 16 A  
 Ambient temperature °C: -50 ... +45 °C

Figure	Coding (clock hour position)	Rated operational voltage AC	Rated operational voltage DC	Identification colour	Frequency range	Product Type	Art. No.	PS	Weight kg
	3	–	50 – 110 V	light grey	–	8572/14-303	242344	10	0.380
	6	200 – 250 V	–	blue	50 – 60 Hz	8572/14-306	242341	10	0.380

Detailed number of poles: 3 P (2 P + PE)  
 Product Description: Coupler socket after isolating transformer  
 Rated operational current: 0 – 16 A  
 Ambient temperature °C: -50 ... +45 °C

Figure	Coding (clock hour position)	Rated operational voltage AC	Rated operational voltage DC	Identification colour	Frequency range	Product Type	Art. No.	PS	Weight kg
	12	220 – 250 V	–	blue	50 – 60 Hz	8572/14-312	242346	10	0.380

The current must be reduced to 12 A for frequencies > 100 Hz  
 For information on compatible plugs, see page 679

## Technical Data

### Explosion Protection

Certificate IECEX Gas	IECEX PTB 16.0027
Certificate ATEX Gas	PTB 16 ATEX 1015
Certificate IECEX Dust	IECEX PTB 16.0027
Certificate ATEX Dust	PTB 16 ATEX 1015
Gas explosion protection IECEX	Ex db eb IIC T6 Gb
Gas explosion protection ATEX	⊕ II 2 G Ex db eb IIC T6 Gb
Dust explosion protection IECEX	Ex tb IIIC T70 °C Db
Dust explosion protection ATEX	⊕ II 2 D Ex tb IIIC T70 °C Db
Certificates	ATEX (PTB), China (CQST), EAC (CCVE), IECEX (PTB)

### Ambient Conditions

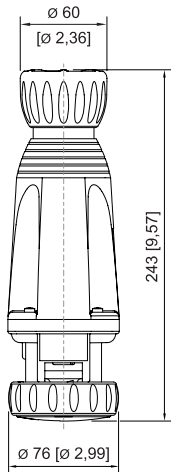
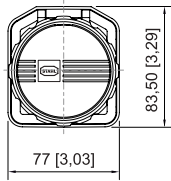
Notes Silicone is used as a sealing material for variants with an ambient temperature of -50 °C.

### Mechanical Data

Type of protection (IP)	IP66
Type of protection note	according to IEC/EN 60529
Enclosure material	Polyamide, glass fibre-reinforced
Silicone-free	No
Connection terminals min.	0.75 mm <sup>2</sup>
Connection terminals finely-stranded max.	2 x 4 mm <sup>2</sup>
<b>Components</b>	
Cable diameter	8 – 15 mm
Cable diameter note	Ring 1 + 2 + 3 + 4: 8 ... 11 mm Ring 2 + 3 + 4: 11 ... 15 mm

Accessories found on page 725

Dimensional Drawings (All Dimensions in mm [inches]) – Subject to Alterations

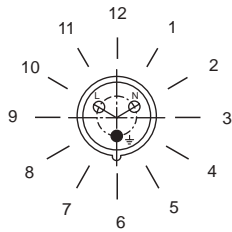


Coupler

Arrangement of the Earth Contact Sleeves

E3

Example:  
Clock hour position,  
Front view of socket



Example:  
Clock hour position



200 ... 250 V = 6 h

Marking of connections  
Front view of socket



2 P + PE



1 P + N + PE



- Zones 1, 2, 21, 22, degree of protection IP66
- Full AC-3 switching capacity according to IEC/EN 60947-3
- Wear-free, corrosion-resistant contacts even in aggressive atmosphere

WebCode **8572C**



R. STAHL Series 8572/15 16 A compact flange sockets are suitable for 3-pole applications. The compact dimensions and internal rotary switch enable installation in various applications. Self-cleaning lamellar contacts made from high-quality material provide optimum contact. The integrated locking mechanism prevents disconnection under load.

E3

	ATEX / IECEx					
Zone	0	1	2	20	21	22
Installation in		•	•		•	•

Selection Table									
Detailed number of poles:		3 P (1 P + N + PE)							
Rated operational current:		0 – 16 A							
Figure	Coding (clock hour position)	Rated operational voltage AC	Rated operational voltage DC	Identification colour	Frequency range	Product Type	Art. No.	PS	Weight kg
	4	100 – 130 V	–	yellow	50 – 60 Hz	8572/15-304	241403	10	0.380
	5	277 – 277 V	–	light grey	60 – 60 Hz	8572/15-305	241402	10	0.380
Detailed number of poles:		3 P (2 P + PE)							
Rated operational current:		0 – 12 A							
Figure	Coding (clock hour position)	Rated operational voltage AC	Rated operational voltage DC	Identification colour	Frequency range	Product Type	Art. No.	PS	Weight kg
	2	50 – 50 V	–	green	300 – 500 Hz	8572/15-302	241405	10	0.380

## Selection Table

Detailed number of poles: 3 P (2 P + PE)  
 Rated operational current: 0 – 16 A

Figure	Coding (clock hour position)	Rated operational voltage AC	Rated operational voltage DC	Identification colour	Frequency range	Product Type	Art. No.	PS	Weight kg
	3	–	50 – 110 V	light grey	–	8572/15-303	241404	10	0.380
	6	200 – 250 V	–	blue	50 – 60 Hz	8572/15-306	241401	10	0.380
	12	220 – 250 V	–	blue	50 – 60 Hz	8572/15-312	241406	10	0.380

The current must be reduced to 12 A for frequencies > 100 Hz  
 For information on compatible plugs, see page 679

## Technical Data

### Explosion Protection

Certificate IECEX Gas	IECEX PTB 16.0028U
Certificate ATEX Gas	PTB 16 ATEX 1016 U
Certificate IECEX Dust	IECEX PTB 16.0028U
Certificate ATEX Dust	PTB 16 ATEX 1016 U
Gas explosion protection IECEX	Ex db eb IIC Gb
Gas explosion protection ATEX	⊕ II 2 G Ex db eb IIC Gb
Dust explosion protection IECEX	Ex tb IIIC Db
Dust explosion protection ATEX	⊕ II 2 D Ex tb IIIC Db
Certificates	ATEX (PTB), EAC (CCVE), IECEX (PTB)

### Electrical Data

Auxiliary contact exist No

### Ambient Conditions

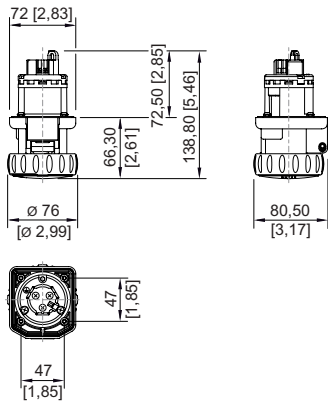
Notes  
 16 A: -50 ... +45 °C  
 12 A: -50 ... +55 °C  
 10 A: -50 ... +65 °C  
 Silicone is used as a sealing material for variants with an ambient temperature of -50 °C.

### Mechanical Data

Type of protection (IP)	IP66
Type of protection note	according to IEC/EN 60529
Enclosure material	Polyamide, glass fibre-reinforced
Silicone-free	No
Connection terminals min.	0.75 mm <sup>2</sup>
Connection terminals solid max.	2 x 4 mm <sup>2</sup>
Connection terminals finely-stranded max.	2 x 4 mm <sup>2</sup>

Accessories found on page 725

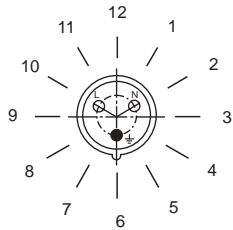
**Dimensional Drawings (All Dimensions in mm [inches]) – Subject to Alterations**



Flange socket 3-pole

**Arrangement of the Earth Contact Sleeves**

Example:  
Clock hour position,  
Front view of socket



Example:  
Clock hour position



200 ... 250 V = 6 h

Marking of connections  
Front view of socket



2 P + PE



1 P + N + PE

E3



- Zones 1, 2, 21, 22, degree of protection IP66, extreme temperature range of -50 ... +60 °C
- Full AC-3 switching capacity according to IEC/EN 60947-3
- Wear-free contacts even in aggressive atmosphere
- Compact design

WebCode **8573B**



The sockets of the new R. STAHL Series 8573/13 are for 2- or 3-pole applications up to 16 A. The compact sockets for extra-low voltage up to 50 V are made from robust and chemical-resistant plastics. Self-cleaning lamellar contacts provide optimum contact. The integrated rotary switch mechanism and integrated locking device reliably prevent disconnection under loads.

The new compact socket from Series 8573/13 replaces Series 8575 sockets, is 100% compatible with this series and can be used with Series 8575 plugs.

	ATEX / IECEx					
Zone	0	1	2	20	21	22
Installation in		•	•		•	•

E3

Selection Table											
Detailed number of poles:		2 P									
Rated operational current:		0 – 12 A									
Ambient temperature °C:		-50 ... +55 °C									
Cable diameter:		7 – 17 mm									
Figure	Coding (clock hour position)	Rated operational voltage AC	Rated operational voltage DC	Identification colour	Frequency range	Cable entry	Plug	Product Type	Art. No.	PS	Weight kg
	2	20 – 25 V / 40 – 50 V	–	green	300 – 300 Hz	1 x M25	1 x M25	8573/13-202	243158	10	0.300
	3	20 – 25 V / 40 – 50 V	–	green	400 – 400 Hz	1 x M25	1 x M25	8573/13-203	243159	10	0.300
	4	20 – 25 V / 40 – 50 V	–	green	100 – 200 Hz	1 x M25	1 x M25	8573/13-204	243160	10	0.300
	11	20 – 25 V / 40 – 50 V	–	green	400 – 500 Hz	1 x M25	1 x M25	8573/13-211	243171	10	0.300

### Selection Table

Detailed number of poles: 2 P  
 Rated operational current: 0 – 16 A  
 Ambient temperature °C: -50 ... +60 °C  
 Cable diameter: 7 – 17 mm

Figure	Coding (clock hour position)	Rated operational voltage AC	Rated operational voltage DC	Identification colour	Frequency range	Cable entry	Plug	Product Type	Art. No.	PS	Weight kg
	0	20 – 25 V	–	violet	50 – 60 Hz	1 x M25	1 x M25	8573/13-200	243157	10	0.300
	10	–	20 – 25 V	violet	–	1 x M25	1 x M25	8573/13-210	243173	10	0.300
	12	40 – 50 V	–	light grey	50 – 60 Hz	1 x M25	1 x M25	8573/13-212	243172	10	0.300

Detailed number of poles: 3 P  
 Rated operational current: 0 – 12 A  
 Ambient temperature °C: -50 ... +40 °C  
 Cable diameter: 7 – 17 mm

Figure	Coding (clock hour position)	Rated operational voltage AC	Rated operational voltage DC	Identification colour	Frequency range	Cable entry	Plug	Product Type	Art. No.	PS	Weight kg
	2	20 – 25 V / 40 – 50 V	–	green	300 – 300 Hz	1 x M25	1 x M25	8573/13-302	241384	10	0.300

Detailed number of poles: 3 P  
 Rated operational current: 0 – 12 A  
 Ambient temperature °C: -50 ... +55 °C  
 Cable diameter: 7 – 17 mm

Figure	Coding (clock hour position)	Rated operational voltage AC	Rated operational voltage DC	Identification colour	Frequency range	Cable entry	Plug	Product Type	Art. No.	PS	Weight kg
	3	20 – 25 V / 40 – 50 V	–	green	400 – 400 Hz	1 x M25	1 x M25	8573/13-303	243152	10	0.300
	4	20 – 25 V / 40 – 50 V	–	green	100 – 200 Hz	1 x M25	1 x M25	8573/13-304	243153	10	0.300
	11	20 – 25 V / 40 – 50 V	–	green	400 – 500 Hz	1 x M25	1 x M25	8573/13-311	243154	10	0.300

Detailed number of poles: 3 P  
 Rated operational current: 0 – 16 A  
 Ambient temperature °C: -50 ... +60 °C  
 Cable diameter: 7 – 17 mm

Figure	Coding (clock hour position)	Rated operational voltage AC	Rated operational voltage DC	Identification colour	Frequency range	Cable entry	Plug	Product Type	Art. No.	PS	Weight kg
	0	20 – 25 V	–	violet	50 – 60 Hz	1 x M25	1 x M25	8573/13-300	241380	10	0.300
	12	40 – 50 V	–	light grey	50 – 60 Hz	1 x M25	1 x M25	8573/13-312	243155	10	0.300

The current must be reduced to 12 A for frequencies > 100 Hz  
 For information on compatible plugs, see page 697  
 For information on cable glands, see Chapter E10, page 990

### Technical Data

#### Explosion Protection

Certificate IECEX Gas	IECEX PTB 16.0029
Certificate ATEX Gas	PTB 16 ATEX 1017
Certificate IECEX Dust	IECEX PTB 16.0029
Certificate ATEX Dust	PTB 16 ATEX 1017
Gas explosion protection IECEX	Ex db eb IIC T6 Gb

## Technical Data

### Explosion Protection

Gas explosion protection ATEX	Ⓔ II 2 G Ex db eb IIC T6 Gb
Dust explosion protection IECEx	Ex tb IIIC T70 °C Db
Dust explosion protection ATEX	Ⓔ II 2 D Ex tb IIIC T70 °C Db
Certificates	ATEX (PTB), EAC (CCVE), IECEx (PTB)

### Electrical Data

Auxiliary contact exist	No
-------------------------	----

### Ambient Conditions

Notes	16 A: -50 ... +40 °C 12 A: -50 ... +55 °C 10 A: -50 ... +60 °C Silicone is used as a sealing material for variants with an ambient temperature of -50 °C.
-------	--

### Mechanical Data

Type of protection (IP)	IP66
Type of protection note	according to IEC/EN 60529
Enclosure material	Polyamide, glass fibre-reinforced
Silicone-free	No
Connection terminals min.	0.75 mm <sup>2</sup>
Connection terminals solid max.	2 x 4 mm <sup>2</sup>
Connection terminals finely-stranded max.	2 x 4 mm <sup>2</sup>

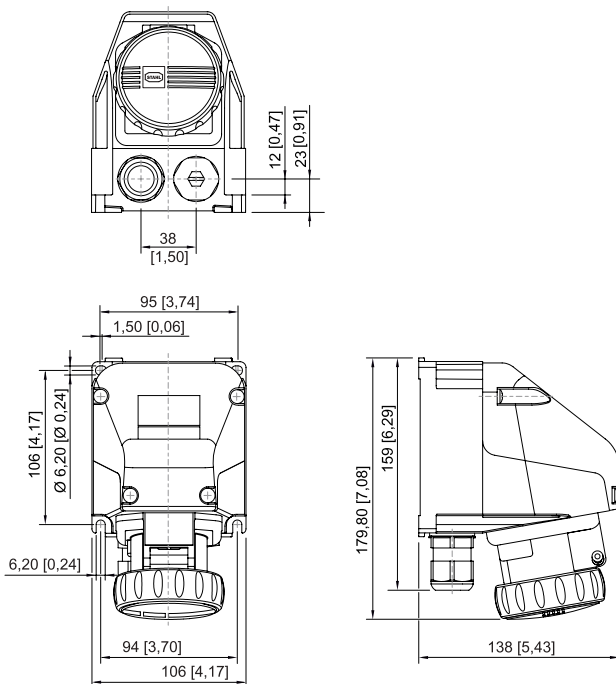
### Components

Cable entry note	positioning on the top or at the side, according to the order optional: on the top max. 2 x M25 x 1.5; also available with stopping plug or metallic entries
Stopping plug note	When used in an application range of < -40 °C, the seal is only intended for a one-time installation. Replace the seal before mounting it again.

Accessories found on page 725

E3

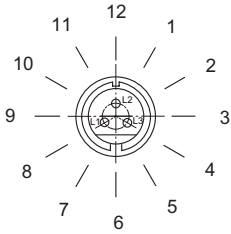
## Dimensional Drawings (All Dimensions in mm [inches]) – Subject to Alterations



Wall-mounting socket, compact, extra-low voltage

**Arrangement of the Earth Contact Sleeves**

Example:  
Clock hour position,  
Front view of socket



Example:  
Clock hour position



40 ... 50 V = 12 h

Marking of connections  
Front view of socket



2 P



3 P



- Zones 1, 2, 21, 22, degree of protection IP66, extreme temperature range of -50 ... +60 °C
- For low voltages up to 50 V
- 16 A
- Wear-free contacts for aggressive atmosphere

WebCode **8573D**



The new R. STAHL Series 8573/12 plugs are designed for 2- or 3-pole applications up to 16 A. The robust plastic plugs are resistant to corrosive chemicals and gases. The floating pins allow them to be inserted and removed quickly and easily. The inner, pivoting strain relief makes it easier to install the cables quickly. Corrosion-free contact pins made from high-quality materials ensure optimum electrical contact. The new Series 8573/12 plug replaces the plug Series 8575, is 100% compatible with this Series and can be used with Series 8575 sockets.


	ATEX / IECEx					
Zone	0	1	2	20	21	22
Installation in		•	•		•	•

E3


Selection Table									
Detailed number of poles:		2 P							
Rated operational current:		0 – 12 A							
Ambient temperature °C:		-50 ... +55 °C							
Figure	Coding (clock hour position)	Rated operational voltage AC	Rated operational voltage DC	Identification colour	Frequency range	Product Type	Art. No.	PS	Weight kg
	2	20 – 25 V / 40 – 50 V	–	green	300 – 300 Hz	8573/12-202	243198	10	0.300
	3	20 – 25 V / 40 – 50 V	–	green	400 – 400 Hz	8573/12-203	243199	10	0.300
	4	20 – 25 V / 40 – 50 V	–	green	100 – 200 Hz	8573/12-204	243200	10	0.300
	11	20 – 25 V / 40 – 50 V	–	green	400 – 500 Hz	8573/12-211	243201	10	0.300
Detailed number of poles:		2 P							
Rated operational current:		0 – 16 A							
Ambient temperature °C:		-50 ... +40 °C							
Figure	Coding (clock hour position)	Rated operational voltage AC	Rated operational voltage DC	Identification colour	Frequency range	Product Type	Art. No.	PS	Weight kg
	0	20 – 25 V	–	violet	50 – 60 Hz	8573/12-200	243197	10	0.300
	12	40 – 50 V	–	light grey	50 – 60 Hz	8573/12-212	243202	10	0.300

### Selection Table


Detailed number of poles: 2 P  
 Rated operational current: 0 – 16 A  
 Ambient temperature °C: -50 ... +60 °C

Figure	Coding (clock hour position)	Rated operational voltage AC	Rated operational voltage DC	Identification colour	Frequency range	Product Type	Art. No.	PS	Weight kg
	10	–	20 – 25 V	violet	–	8573/12-210	243203	10	0.300

Detailed number of poles: 3 P  
 Rated operational current: 0 – 12 A  
 Ambient temperature °C: -50 ... +55 °C

Figure	Coding (clock hour position)	Rated operational voltage AC	Rated operational voltage DC	Identification colour	Frequency range	Product Type	Art. No.	PS	Weight kg
	2	20 – 25 V / 40 – 50 V	–	green	300 – 300 Hz	8573/12-302	243191	10	0.300
	3	20 – 25 V / 40 – 50 V	–	green	400 – 400 Hz	8573/12-303	243192	10	0.300
	4	20 – 25 V / 40 – 50 V	–	green	100 – 200 Hz	8573/12-304	243193	10	0.300
	11	20 – 25 V / 40 – 50 V	–	green	400 – 500 Hz	8573/12-311	243194	10	0.300

Detailed number of poles: 3 P  
 Rated operational current: 0 – 16 A  
 Ambient temperature °C: -50 ... +40 °C

Figure	Coding (clock hour position)	Rated operational voltage AC	Rated operational voltage DC	Identification colour	Frequency range	Product Type	Art. No.	PS	Weight kg
	0	20 – 25 V	–	violet	50 – 60 Hz	8573/12-300	243190	10	0.300
	12	40 – 50 V	–	light grey	50 – 60 Hz	8573/12-312	243195	10	0.300

### Technical Data

#### Explosion Protection

Certificate IECEX Gas	IECEX PTB 16.0029
Certificate ATEX Gas	PTB 16 ATEX 1017
Certificate IECEX Dust	IECEX PTB 16.0029
Certificate ATEX Dust	PTB 16 ATEX 1017
Gas explosion protection IECEX	Ex eb IIC T6 Gb
Gas explosion protection ATEX	Ⓜ II 2 G Ex eb IIC T6 Gb
Dust explosion protection IECEX	Ex tb IIIC T70 °C Db
Dust explosion protection ATEX	Ⓜ II 2 D Ex tb IIIC T70 °C Db
Certificates	ATEX (PTB), EAC (CCVE), IECEX (PTB)

#### Ambient Conditions

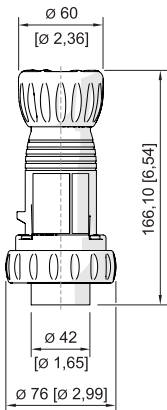
Notes	16 A: -50 ... +40 °C 12 A: -50 ... +55 °C 10 A: -50 ... +60 °C Silicone is used as a sealing material for variants with an ambient temperature of -50 °C.
-------	--

#### Mechanical Data

Type of protection (IP)	IP66
Type of protection note	according to IEC/EN 60529
Enclosure material	Polyamide, glass fibre-reinforced
Silicone-free	No
Connection terminals min.	0.75 mm <sup>2</sup>
Connection terminals finely-stranded max.	2 x 4 mm <sup>2</sup>

Technical Data		
Components		
Cable diameter	8 – 15 mm	
Cable diameter note	Ring 1 + 2 + 3 + 4:	8 ... 11 mm
	Ring 2 + 3 + 4:	11 ... 15 mm

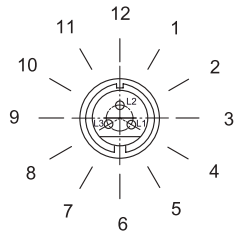
### Dimensional Drawings (All Dimensions in mm [inches]) – Subject to Alterations



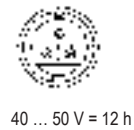
Plug extra-low voltage

### Arrangement of the Earth Contact Sleeves

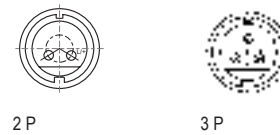
Example:  
Clock hour position,  
Front view of plug



Example:  
Clock hour position



Marking of connections  
Front view of plug



E3



- Degree of protection IP66, extreme temperature range of  $-50 \dots +60 \text{ }^\circ\text{C}$
- Full AC-3 switching capacity according to IEC/EN 60947-3
- Wear-free, corrosion-resistant contacts even in aggressive atmosphere

WebCode **8573C**



The new R. STAHL Series 8573/14 couplers are designed for 2- or 3-pole applications up to 16 A for low voltages up to 50 V. The robust, chemical-resistant plastic allows for a compact design. Self-cleaning lamellar contacts provide optimum contact. The integrated rotary switch mechanism and the integrated locking mechanism prevent disconnection under load.

E3

	ATEX / IECEx					
Zone	0	1	2	20	21	22
Installation in		•	•		•	•

### Selection Table

Detailed number of poles: 2 P  
 Rated operational current: 0 – 12 A  
 Ambient temperature °C:  $-50 \dots +55 \text{ }^\circ\text{C}$   
 Cable diameter: 8 – 15 mm

Figure	Coding (clock hour position)	Rated operational voltage AC	Rated operational voltage DC	Identification colour	Frequency range	Product Type	Art. No.	PS	Weight kg
	2	20 – 25 V / 40 – 50 V	–	green	300 – 300 Hz	8573/14-202	243183	10	0.300
	3	20 – 25 V / 40 – 50 V	–	green	400 – 400 Hz	8573/14-203	243184	10	0.300
	4	20 – 25 V / 40 – 50 V	–	green	100 – 200 Hz	8573/14-204	243185	10	0.300
	11	20 – 25 V / 40 – 50 V	–	green	400 – 500 Hz	8573/14-211	243186	10	0.300

Detailed number of poles: 2 P  
 Rated operational current: 0 – 16 A  
 Ambient temperature °C:  $-50 \dots +45 \text{ }^\circ\text{C}$   
 Cable diameter: 8 – 15 mm

Figure	Coding (clock hour position)	Rated operational voltage AC	Rated operational voltage DC	Identification colour	Frequency range	Product Type	Art. No.	PS	Weight kg
	0	20 – 25 V	–	violet	50 – 60 Hz	8573/14-200	243182	10	0.300
	10	–	20 – 25 V	violet	–	8573/14-210	243188	10	0.300
	12	40 – 50 V	–	light grey	50 – 60 Hz	8573/14-212	243187	10	0.300

## Selection Table

Detailed number of poles: 3 P  
 Rated operational current: 0 – 12 A  
 Ambient temperature °C: -50 ... +55 °C  
 Cable diameter: 8 – 15 mm

Figure	Coding (clock hour position)	Rated operational voltage AC	Rated operational voltage DC	Identification colour	Frequency range	Product Type	Art. No.	PS	Weight kg
	2	20 – 25 V / 40 – 50 V	–	green	300 – 300 Hz	8573/14-302	243176	10	0.300
	3	20 – 25 V / 40 – 50 V	–	green	400 – 400 Hz	8573/14-303	243177	10	0.300
	4	20 – 25 V / 40 – 50 V	–	green	100 – 200 Hz	8573/14-304	243178	10	0.300
	11	20 – 25 V / 40 – 50 V	–	green	400 – 500 Hz	8573/14-311	243179	10	0.300

Detailed number of poles: 3 P  
 Rated operational current: 0 – 16 A  
 Ambient temperature °C: -50 ... +45 °C  
 Cable diameter: 8 – 15 mm

Figure	Coding (clock hour position)	Rated operational voltage AC	Rated operational voltage DC	Identification colour	Frequency range	Product Type	Art. No.	PS	Weight kg
	0	20 – 25 V	–	violet	50 – 60 Hz	8573/14-300	243175	10	0.300
	12	40 – 50 V	–	light grey	50 – 60 Hz	8573/14-312	243180	10	0.300

The current must be reduced to 12 A for frequencies > 100 Hz  
 For information on compatible plugs, see page 697

## Technical Data

### Explosion Protection

Certificate IECEX Gas	IECEX PTB 16.0029
Certificate ATEX Gas	PTB 16 ATEX 1017
Certificate IECEX Dust	IECEX PTB 16.0029
Certificate ATEX Dust	PTB 16 ATEX 1017
Gas explosion protection IECEX	Ex db eb IIC T6 Gb
Gas explosion protection ATEX	⊕ II 2 G Ex db eb IIC T6 Gb
Dust explosion protection IECEX	Ex tb IIIC T70 °C Db
Dust explosion protection ATEX	⊕ II 2 D Ex tb IIIC T70 °C Db
Certificates	ATEX (PTB), EAC (CCVE), IECEX (PTB)

### Ambient Conditions

Notes	16 A: -50 ... +40 °C 12 A: -50 ... +55 °C 10 A: -50 ... +60 °C Silicone is used as a sealing material for variants with an ambient temperature of -50 °C.
-------	--

### Mechanical Data

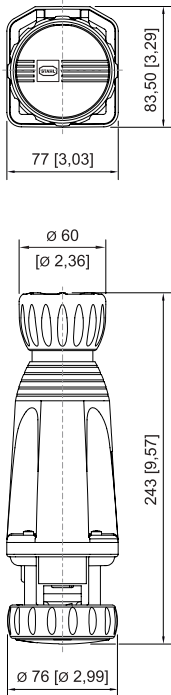
Type of protection (IP)	IP66
Type of protection note	according to IEC/EN 60529
Enclosure material	Polyamide, glass fibre-reinforced
Silicone-free	No
Connection terminals min.	0.75 mm <sup>2</sup>
Connection terminals finely-stranded max.	2 x 4 mm <sup>2</sup>

### Components

Cable diameter note	Ring 1 + 2 + 3 + 4: 8 ... 11 mm Ring 2 + 3 + 4: 11 ... 15 mm
---------------------	---

Accessories found on page 725

**Dimensional Drawings (All Dimensions in mm [inches]) – Subject to Alterations**

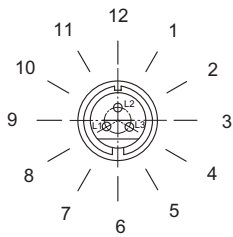


Coupler

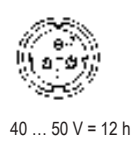
**E3**

**Arrangement of the Earth Contact Sleeves**

Example:  
Clock hour position,  
Front view of socket



Example:  
Clock hour position



Marking of connections  
Front view of socket





- Zones 1, 2, 21, 22, degree of protection IP66, extreme temperature range of -50 ... +60 °C
- Full AC-3 switching capacity according to IEC/EN 60947-3
- Wear-free, corrosion-resistant contacts even in aggressive atmosphere

WebCode **8573A**







R. STAHL Series 8573/15 16 A flange sockets are suitable for 2- or 3-pole applications up to voltages of 50 V. Self-cleaning lamellar contacts provide optimum contact. The integrated rotary switch mechanism and the integrated locking mechanism prevent disconnection under load.

	ATEX / IECEx					
Zone	0	1	2	20	21	22
Installation in		•	•		•	•

E3

Selection Table									
Detailed number of poles:		2 P							
Rated operational current:		0 – 12 A							
Ambient temperature °C:		-50 ... +55 °C							
Figure	Coding (clock hour position)	Rated operational voltage AC	Rated operational voltage DC	Identification colour	Frequency range	Product Type	Art. No.	PS	Weight kg
	2	20 – 25 V / 40 – 50 V	–	green	300 – 300 Hz	8573/15-202	241381	10	0.300
	3	20 – 25 V / 40 – 50 V	–	green	400 – 400 Hz	8573/15-203	241382	10	0.300
	4	20 – 25 V / 40 – 50 V	–	green	100 – 200 Hz	8573/15-204	241383	10	0.300
	11	20 – 25 V / 40 – 50 V	–	green	400 – 500 Hz	8573/15-211	241385	10	0.300
Detailed number of poles:		2 P							
Rated operational current:		0 – 16 A							
Ambient temperature °C:		-50 ... +40 °C							
Figure	Coding (clock hour position)	Rated operational voltage AC	Rated operational voltage DC	Identification colour	Frequency range	Product Type	Art. No.	PS	Weight kg
	0	20 – 25 V	–	violet	50 – 60 Hz	8573/15-200	241379	10	0.300

### Selection Table

Detailed number of poles:		2 P							
Rated operational current:		0 – 16 A							
Ambient temperature °C:		-50 ... +55 °C							
Figure	Coding (clock hour position)	Rated operational voltage AC	Rated operational voltage DC	Identification colour	Frequency range	Product Type	Art. No.	PS	Weight kg
	12	40 – 50 V	–	light grey	50 – 60 Hz	8573/15-212	241386	10	0.300
Detailed number of poles:		2 P							
Rated operational current:		0 – 16 A							
Ambient temperature °C:		-50 ... +60 °C							
Figure	Coding (clock hour position)	Rated operational voltage AC	Rated operational voltage DC	Identification colour	Frequency range	Product Type	Art. No.	PS	Weight kg
	10	–	20 – 25 V	violet	–	8573/15-210	241387	10	0.300
Detailed number of poles:		3 P							
Rated operational current:		0 – 12 A							
Ambient temperature °C:		-50 ... +55 °C							
Figure	Coding (clock hour position)	Rated operational voltage AC	Rated operational voltage DC	Identification colour	Frequency range	Product Type	Art. No.	PS	Weight kg
	2	20 – 25 V / 40 – 50 V	–	green	300 – 300 Hz	8573/15-302	241374	10	0.300
	3	20 – 25 V / 40 – 50 V	–	green	400 – 400 Hz	8573/15-303	241375	10	0.300
	4	20 – 25 V / 40 – 50 V	–	green	100 – 200 Hz	8573/15-304	241376	10	0.300
	11	20 – 25 V / 40 – 50 V	–	green	400 – 500 Hz	8573/15-311	241377	10	0.300
Detailed number of poles:		3 P							
Rated operational current:		0 – 16 A							
Ambient temperature °C:		-50 ... +40 °C							
Figure	Coding (clock hour position)	Rated operational voltage AC	Rated operational voltage DC	Identification colour	Frequency range	Product Type	Art. No.	PS	Weight kg
	0	20 – 25 V	–	violet	50 – 60 Hz	8573/15-300	241373	10	0.300
	12	40 – 50 V	–	light grey	50 – 60 Hz	8573/15-312	241378	10	0.300

The current must be reduced to 12 A for frequencies > 100 Hz  
For information on compatible plugs, see page 697

### Technical Data

Explosion Protection	
Certificate IECEX Gas	IECEX PTB 16.0030U
Certificate ATEX Gas	PTB 16 ATEX 1018 U
Certificate IECEX Dust	IECEX PTB 16.0030U
Certificate ATEX Dust	PTB 16 ATEX 1018 U
Gas explosion protection IECEX	Ex db eb IIC Gb
Gas explosion protection ATEX	Ⓜ II 2 G Ex db eb IIC Gb
Dust explosion protection IECEX	Ex tb IIIC Db
Dust explosion protection ATEX	Ⓜ II 2 D Ex tb IIIC Db
Certificates	ATEX (PTB), EAC (CCVE), IECEX (PTB)

## Technical Data

### Electrical Data

Auxiliary contact exist No

### Ambient Conditions

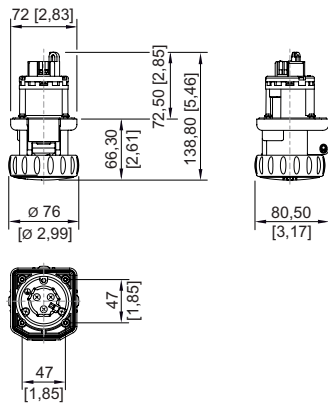
Notes 16 A: -50 ... +40 °C  
 12 A: -50 ... +55 °C  
 10 A: -50 ... +60 °C  
 Silicone is used as a sealing material for variants with an ambient temperature of -50 °C.

### Mechanical Data

Type of protection (IP) IP66  
 Type of protection note according to IEC/EN 60529  
 Enclosure material Polyamide, glass fibre-reinforced  
 Silicone-free No  
 Connection terminals min. 0.75 mm<sup>2</sup>  
 Connection terminals solid max. 2 x 4 mm<sup>2</sup>  
 Connection terminals finely-stranded max. 2 x 4 mm<sup>2</sup>

Accessories found on page 725

## Dimensional Drawings (All Dimensions in mm [inches]) – Subject to Alterations

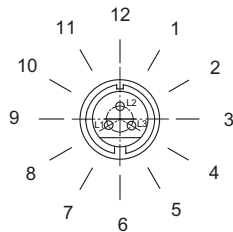


Flange socket 3-pole

E3

## Arrangement of the Earth Contact Sleeves

Example:  
 Clock hour position,  
 Front view of socket



Example:  
 Clock hour position



40 ... 50 V = 12 h

Marking of connections  
 Front view of socket



2 P



3 P



- Reliable load disconnect switch with clearly visible, lockable handle which also displays the switching position
- Optional auxiliary contacts for control and signalling purposes, pluggable
- With AC-3 motor switching capacity according to IEC/EN 60947-3

WebCode **8571A**






R. STAHL Series 8571/11 SolConeX sockets for Zone 1/21 in a 3-, 4- and 5-pole version have full AC-3 switching capacity up to 32 A. The high degree of protection IP66 guarantees the highest level of protection against the penetration of dust and/or water in any application position. Self-cleaning lamellar contacts provide optimum contact and the plugs can be inserted and removed in the zero position quickly and easily. The load disconnect switch, with mechanical locking device and a handle that can be locked in the 0 or I position, is an additional safety feature.

E3

	ATEX / IECEx					
Zone	0	1	2	20	21	22
Installation in		•	•		•	•

Selection Table											
Detailed number of poles:		4 P (3 P + PE)									
Rated operational current:		0 – 25 A									
Ambient temperature °C:		-30 ... +40 °C									
Cable diameter:		9 – 21 mm									
Cable diameter 2:		–									
Figure	Coding (clock hour position)	Rated operational voltage AC	Identification colour	Frequency range	Plate with threaded hole	Cable entry	Plug	Auxiliary contact exist	Art. No.	PS	Weight kg
	10	50 – 50 V	green	100 – 300 Hz	–	1 x M32	1 x M32	No	150906	10	2.200

Selection Table											
Detailed number of poles:		4 P (3 P + PE)									
Rated operational current:		0 – 32 A									
Ambient temperature °C:		-30 ... +55 °C									
Cable diameter:		9 – 21 mm									
Cable diameter 2:		7 – 17 mm									
Figure	Coding (clock hour position)	Rated operational voltage AC	Identification colour	Frequency range	Plate with threaded hole	Cable entry	Plug	Auxiliary contact exist	Art. No.	PS	Weight kg
	5	600 – 690 V	black	50 – 60 Hz	–	1 x M32 1 x M25	–	Yes	220136	10	2.200
	6	380 – 415 V	red	50 – 60 Hz	–	1 x M32 1 x M25	–	Yes	220135	10	2.200
	7	480 – 500 V	black	50 – 60 Hz	–	1 x M32 1 x M25	–	Yes	166610	10	2.200
Detailed number of poles:		4 P (3 P + PE)									
Rated operational current:		0 – 32 A									
Ambient temperature °C:		-30 ... +55 °C									
Cable diameter:		9 – 21 mm									
Cable diameter 2:		–									
Figure	Coding (clock hour position)	Rated operational voltage AC	Identification colour	Frequency range	Plate with threaded hole	Cable entry	Plug	Auxiliary contact exist	Art. No.	PS	Weight kg
	5	600 – 690 V	black	50 – 60 Hz	–	1 x M32	1 x M32	No	150902▲	10	2.200
	6	380 – 415 V	red	50 – 60 Hz	–	1 x M32	1 x M32	No	150890▲	10	2.200
	7	480 – 500 V	black	50 – 60 Hz	–	1 x M32	1 x M32	No	150894▲	10	2.200
	9	200 – 250 V	blue	50 – 60 Hz	–	1 x M32	1 x M32	No	150898▲	10	2.200
	11	440 – 460 V	red	60 – 60 Hz	–	1 x M32	1 x M32	No	150910▲	10	2.200
Detailed number of poles:		4 P (3 P + PE)									
Rated operational current:		0 – 32 A									
Ambient temperature °C:		-30 ... +55 °C									
Cable diameter:		–									
Cable diameter 2:		–									
Figure	Coding (clock hour position)	Rated operational voltage AC	Identification colour	Frequency range	Plate with threaded hole	Cable entry	Plug	Auxiliary contact exist	Art. No.	PS	Weight kg
	5	600 – 690 V	black	50 – 60 Hz	with 2 x M32 x 1,5	to be ordered as accessory	1 x M32	No	220134	10	2.200
	6	380 – 415 V	red	50 – 60 Hz	with 2 x M32 x 1,5	to be ordered as accessory	1 x M25	No	214068	10	2.200
	7	480 – 500 V	black	50 – 60 Hz	with 2 x M32 x 1,5	to be ordered as accessory	1 x M32	No	220133	10	2.200
	9	200 – 250 V	blue	50 – 60 Hz	with 2 x M32 x 1,5	to be ordered as accessory	1 x M32	No	220132	10	2.200

## Selection Table

Detailed number of poles: 5 P (3 P + N + PE)  
 Rated operational current: 0 – 32 A  
 Ambient temperature °C: -30 ... +55 °C  
 Cable diameter: 9 – 21 mm  
 Cable diameter 2: –

Figure	Coding (clock hour position)	Rated operational voltage AC	Identification colour	Frequency range	Plate with threaded hole	Cable entry	Plug	Auxiliary contact exist	Art. No.	PS	Weight kg
	3	220 – 380 V	red	50 – 50 Hz	–	1 x M32	1 x M32	No	217678	10	2.200
	4	57 – 100 V / 75 – 130 V	yellow	50 – 60 Hz	–	1 x M32	1 x M32	No	217679	10	2.200
	5	347 – 400 V / 600 – 690 V	black	50 – 60 Hz	–	1 x M32	1 x M32	No	150876 ▲	10	2.200
	6	200 – 240 V / 346 – 415 V	red	50 – 60 Hz	with 2 x M32 x 1,5	1 x M32	1 x M32	No	150854 ▲	10	2.200
	7	277 – 288 V / 480 – 500 V	black	50 – 60 Hz	–	1 x M32	1 x M32	No	150863 ▲	10	2.200
	9	120 – 144 V / 208 – 250 V	blue	50 – 60 Hz	–	1 x M32	1 x M32	No	150870	10	2.200
	11	250 – 265 V / 250 – 440 V	red	60 – 60 Hz	–	1 x M32	1 x M32	No	150882	10	2.200

Detailed number of poles: 5 P (3 P + N + PE)  
 Rated operational current: 0 – 32 A  
 Ambient temperature °C: -30 ... +55 °C  
 Cable diameter: –  
 Cable diameter 2: –

Figure	Coding (clock hour position)	Rated operational voltage AC	Identification colour	Frequency range	Plate with threaded hole	Cable entry	Plug	Auxiliary contact exist	Art. No.	PS	Weight kg
	6	346 – 415 V	red	50 – 60 Hz	with 2 x M32 x 1,5	to be ordered as accessory	1 x M32	No	214069	10	2.200

The current must be reduced to 25 A for frequencies > 100 Hz  
 For information on compatible plugs, see page 710

Plate for threaded holes: made of brass, for metal cable glands  
 For information on cable glands and other accessories, see Chapter E10, page 990

## Technical Data

### Explosion Protection

Certificate IECEX Gas	IECEX PTB 05.0024
Certificate ATEX Gas	PTB 04 ATEX 1060
Certificate IECEX Dust	IECEX PTB 05.0024
Certificate ATEX Dust	PTB 04 ATEX 1060
Gas explosion protection IECEX	Ex db eb IIC T5 Gb
Gas explosion protection ATEX	Ⓜ II 2 G Ex db eb IIC T5 Gb
Dust explosion protection IECEX	Ex tb IIIC T75 °C Db
Dust explosion protection ATEX	Ⓜ II 2 D Ex tb IIIC T75 °C Db
Certificates	ATEX (PTB), Brazil (ULB), Canada (CSA), EAC (STV), IECEX (PTB)

### Mechanical Data

Type of protection (IP)	IP66
Type of protection note	according to IEC/EN 60529
Enclosure material	Polyamide, glass fibre-reinforced
Silicone-free	Yes
Connection terminals min.	2.5 mm <sup>2</sup>

Technical Data	
Mechanical Data	
Connection terminals solid max.	2 x 10 mm <sup>2</sup>
Connection terminals finely-stranded max.	2 x 6 mm <sup>2</sup>
Components	
Cable entry note	positioning on the top or at the side, according to the order
Accessories found on page 725	

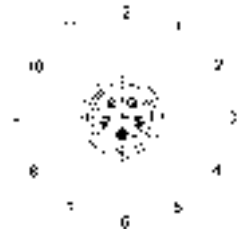
### Dimensional Drawings (All Dimensions in mm [inches]) – Subject to Alterations



Wall-mounting socket

### Arrangement of the Earth Contact Sleeves

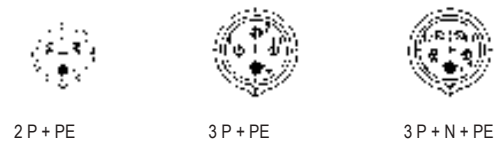
Example:  
Clock hour position,  
Front view of socket



Example:  
Clock hour position



Marking of connections  
Front view of socket



E3



- Degree of protection IP66, suitable for Zones 1, 2, 21 and 22 worldwide, extreme temperature range of -50 ... +55 °C
- No impact of torsional forces from the cable on the seal
- Full compatibility between SolConeX and CES devices

WebCode **8571E**



R. STAHL Series 8571/12 SolConeX plugs for Zone 1/21 are 4- or 5-pole 32 A plugs. The floating pins allow them to be inserted and removed quickly and easily. The pivoting strain relief makes it easier to install the cable. Self-cleaning and corrosion-free plug pins made from high-quality materials ensure optimum electrical contact.

E3

	ATEX / IECEx					
Zone	0	1	2	20	21	22
Installation in		•	•		•	•

Selection Table								
Detailed number of poles:		4 P (3 P + PE)						
Rated operational current:		0 – 25 A						
Ambient temperature °C:		-30 ... +55 °C						
Cable diameter:		13 – 28 mm						
Figure	Coding (clock hour position)	Rated operational voltage AC	Identification colour	Frequency range	Product Type	Art. No.	PS	Weight kg
	10	50 – 50 V	green	100 – 300 Hz	8571/12-410	150907	10	0.500
Detailed number of poles:		4 P (3 P + PE)						
Rated operational current:		0 – 32 A						
Ambient temperature °C:		-30 ... +55 °C						
Cable diameter:		13 – 28 mm						
Figure	Coding (clock hour position)	Rated operational voltage AC	Identification colour	Frequency range	Product Type	Art. No.	PS	Weight kg
	5	600 – 690 V	black	50 – 60 Hz	8571/12-405	150903 ▲	10	0.500
	6	380 – 415 V	red	50 – 60 Hz	8571/12-406	150891 ▲	10	0.500
	7	480 – 500 V	black	50 – 60 Hz	8571/12-407	150895 ▲	10	0.500
	9	200 – 250 V	blue	50 – 60 Hz	8571/12-409	150899 ▲	10	0.500
	11	440 – 460 V	red	60 – 60 Hz	8571/12-411	150911 ▲	10	0.500

### Selection Table

Detailed number of poles: 5 P (3 P + N + PE)  
Rated operational current: 0 – 32 A  
Ambient temperature °C: -30 ... +55 °C  
Cable diameter: 13 – 28 mm

Figure	Coding (clock hour position)	Rated operational voltage AC	Identification colour	Frequency range	Product Type	Art. No.	PS	Weight kg
	3	220 – 220 V / 380 – 380 V	red	50 – 50 Hz	8571/12-503	220033	10	0.600
	4	57 – 75 V / 100 – 130 V	yellow	50 – 60 Hz	8571/12-504	220034	10	0.600
	5	347 – 400 V / 600 – 690 V	black	50 – 60 Hz	8571/12-505	150877 ▲	10	0.600
	6	200 – 240 V / 346 – 415 V	red	50 – 60 Hz	8571/12-506	150855 ▲	10	0.600
	7	277 – 288 V / 480 – 500 V	black	50 – 60 Hz	8571/12-507	150864 ▲	10	0.600
	9	120 – 144 V / 208 – 250 V	blue	50 – 60 Hz	8571/12-509	150871 ▲	10	0.600
	11	250 – 265 V / 440 – 460 V	red	60 – 60 Hz	8571/12-511	150883 ▲	10	0.600

The current must be reduced to 25 A for frequencies > 100 Hz  
Variants with a temperature range of -50 ... +55 °C are available on request

### Technical Data

#### Explosion Protection

Certificate IECEX Gas	IECEX PTB 05.0024
Certificate ATEX Gas	PTB 04 ATEX 1060
Certificate IECEX Dust	IECEX PTB 05.0024
Certificate ATEX Dust	PTB 04 ATEX 1060
Gas explosion protection IECEX	Ex db eb IIC T5 Gb
Gas explosion protection ATEX	Ⓔ II 2 G Ex db eb IIC T5 Gb
Dust explosion protection IECEX	Ex tb IIIC T75 °C Db
Dust explosion protection ATEX	Ⓔ II 2 D Ex tb IIIC T75 °C Db
Gas explosion protection IECEX 2	Ex db eb IIC T6 Gb
Gas explosion protection ATEX 2	Ⓔ II 2 G Ex db eb IIC T6 Gb
Dust explosion protection IECEX 2	Ex tb IIIC T60 °C
Dust Explosion Protection ATEX 2	Ⓔ II Ex tb IIIC T60 °C
Certificates	ATEX (PTB), Brazil (ULB), Canada (CSA), EAC (STV), IECEX (PTB)

#### Mechanical Data

Type of protection (IP)	IP66
Type of protection note	according to IEC/EN 60529
Enclosure material	Polyamide, glass fibre-reinforced
Silicone-free	Yes
Connection terminals min.	2.5 mm <sup>2</sup>
Connection terminals finely-stranded max.	2 x 10 mm <sup>2</sup>

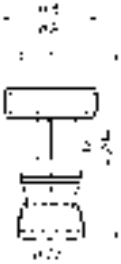
#### Components

Cable diameter note	Ring 1 + 2 + 3 + 4 + 5:	13 ... 16 mm
	Ring 2 + 3 + 4 + 5:	16 ... 19 mm
	Ring 3 + 4 + 5:	19 ... 22 mm
	Ring 4 + 5:	22 ... 25 mm
	Ring 5:	25 ... 28 mm

Accessories found on page 725

E3

**Dimensional Drawings (All Dimensions in mm [inches]) – Subject to Alterations**



4 P (3 P + PE):      A = 57 mm   B = 99 mm  
 5 P (3 P + N + PE):    A = 63.4 mm   B = 104 mm

**Arrangement of the Earth Contact Sleeves**

Example:  
 Clock hour position,  
 Front view of plug



Example:  
 Clock hour position



Marking of connections  
 Front view of plug





- Extreme temperature range of  $-45 \dots +55 \text{ }^\circ\text{C}$
- Reliable load disconnect switch with clearly visible, lockable handle which also displays the switching position
- Integrated auxiliary contact for control and signalling purposes
- With AC-3 motor switching capacity according to IEC/EN 60947-3

WebCode **8579A**



R. STAHL Series 8579/31 CES sockets for Zone 1/21 in a 4- and 5-pole version have full AC-3 switching capacity up to 63 A. The high degree of protection IP66 guarantees the highest level of protection against the penetration of dust and/or water in any application position. Self-cleaning lamellar contacts provide optimum contact and the plugs can be inserted and removed in the zero position quickly and easily. The load disconnect switch, with mechanical locking device and a handle that can be locked in the 0 or I position, is an additional safety feature.

	ATEX / IECEx					
Zone	0	1	2	20	21	22
Installation in		•	•		•	•

E3

Selection Table											
Detailed number of poles:		4 P (3 P + PE)									
Rated operational current:		0 – 63 A									
Ambient temperature °C:		$-30 \dots +55 \text{ }^\circ\text{C}$									
Cable diameter:		16 – 35 mm									
Cable diameter 2:		–									
Figure	Coding (clock hour position)	Rated operational voltage AC	Identification colour	Frequency range	Plate with threaded hole	Cable entry	Plug	Product Type	Art. No.	PS	Weight kg
	5	600 – 690 V	black	50 – 60 Hz	–	1 x M50	1 x M25	8579/31-405	201388	10	7.800
	6	380 – 415 V	red	50 – 60 Hz	–	1 x M50	1 x M25	8579/31-406	201389▲	10	7.800
	7	480 – 500 V	black	50 – 60 Hz	–	1 x M50	1 x M25	8579/31-407	201390▲	10	7.800
	9	200 – 250 V	blue	50 – 60 Hz	–	1 x M50	1 x M25	8579/31-409	201391▲	10	7.800
	11	440 – 460 V	red	60 – 60 Hz	–	1 x M50	1 x M25	8579/31-411	202026▲	10	7.800

## Selection Table

Detailed number of poles:		4 P (3 P + PE)									
Rated operational current:		0 – 63 A									
Ambient temperature °C:		-30 ... +55 °C									
Cable diameter:		–									
Cable diameter 2:		–									
Figure	Coding (clock hour position)	Rated operational voltage AC	Identification colour	Frequency range	Plate with threaded hole	Cable entry	Plug	Product Type	Art. No.	PS	Weight kg
	6	380 – 415 V	red	50 – 60 Hz	with 1 x M42-M40	to be ordered as accessory	1 x M40	8579/31-406-S001	203494	10	7.800
	6	380 – 415 V	red	50 – 60 Hz	with 1 x M42-M50	to be ordered as accessory	1 x M50	8579/31-406-S002	203496 ▲	10	7.800
	6	380 – 415 V	red	50 – 60 Hz	with 1 x M40-M32	to be ordered as accessory	1 x M32	8579/31-406-S008	203498	10	7.800
	6	380 – 415 V	red	50 – 60 Hz	with 1 x M40-M32	to be ordered as accessory	1 x M32	8579/31-406-S009	203500	10	7.800
	6	380 – 415 V	red	50 – 60 Hz	with 1 x M42-M40	to be ordered as accessory	1 x M40	8579/31-406-S010	203487	10	7.800
	6	380 – 415 V	red	50 – 60 Hz	with 1 x M42-M50	to be ordered as accessory	1 x M50	8579/31-406-S011	203489	10	7.800
Detailed number of poles:		5 P (3 P + N + PE)									
Rated operational current:		0 – 63 A									
Ambient temperature °C:		-30 ... +55 °C									
Cable diameter:		16 – 35 mm									
Cable diameter 2:		–									
Figure	Coding (clock hour position)	Rated operational voltage AC	Identification colour	Frequency range	Plate with threaded hole	Cable entry	Plug	Product Type	Art. No.	PS	Weight kg
	5	347 – 400 V / 600 – 690 V	black	50 – 60 Hz	–	1 x M50	1 x M25	8579/31-505	203490	10	7.800
	6	200 – 240 V / 346 – 415 V	red	50 – 60 Hz	–	1 x M50	1 x M25	8579/31-506	201386 ▲	10	7.800
	7	277 – 288 V / 480 – 500 V	black	50 – 60 Hz	–	1 x M50	1 x M25	8579/31-507	201387 ▲	10	7.800
	9	120 – 144 V / 208 – 250 V	blue	50 – 60 Hz	–	1 x M50	1 x M25	8579/31-509	203511	10	7.800
	11	250 – 265 V / 440 – 460 V	red	60 – 60 Hz	–	1 x M50	1 x M25	8579/31-511	203512 ▲	10	7.800
Detailed number of poles:		5 P (3 P + N + PE)									
Rated operational current:		0 – 63 A									
Ambient temperature °C:		-30 ... +55 °C									
Cable diameter:		–									
Cable diameter 2:		–									
Figure	Coding (clock hour position)	Rated operational voltage AC	Identification colour	Frequency range	Plate with threaded hole	Cable entry	Plug	Product Type	Art. No.	PS	Weight kg
	6	200 – 240 V / 346 – 415 V	red	50 – 60 Hz	with 1 x M42-M40	to be ordered as accessory	1 x M40	8579/31-506-S001	203493 ▲	10	7.800
	6	200 – 240 V / 346 – 415 V	red	50 – 60 Hz	with 1 x M42-M50	to be ordered as accessory	1 x M50	8579/31-506-S002	203495 ▲	10	7.800
	6	200 – 240 V / 346 – 415 V	red	50 – 60 Hz	with 1 x M40-M32	to be ordered as accessory	1 x M32	8579/31-506-S008	203497	10	7.800
	6	200 – 240 V / 346 – 415 V	red	50 – 60 Hz	with 1 x M40-M32	to be ordered as accessory	1 x M32	8579/31-506-S009	203499	10	7.800
	6	200 – 240 V / 346 – 415 V	red	50 – 60 Hz	with 1 x M42-M40	to be ordered as accessory	1 x M40	8579/31-506-S010	203501	10	7.800
	6	200 – 240 V / 346 – 415 V	red	50 – 60 Hz	with 1 x M42-M50	to be ordered as accessory	1 x M25	8579/31-506-S011	203488	10	7.800

For information on compatible plugs, see page 717

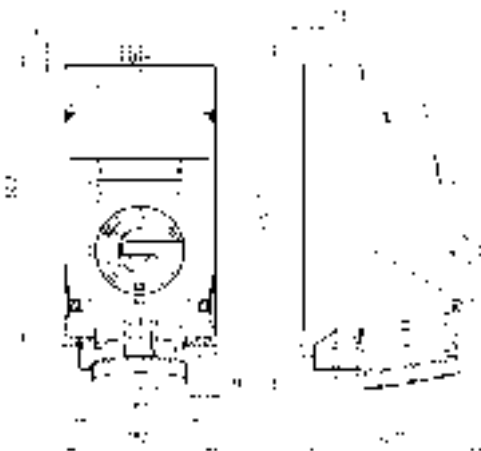
Plate for threaded holes: made of brass, for metal cable glands  
For information on cable glands and other accessories, see Chapter E10, page 990

## Technical Data

Explosion Protection	
Certificate IECEX Gas	IECEX PTB 06.0020
Certificate ATEX Gas	PTB 01 ATEX 1150
Certificate IECEX Dust	IECEX PTB 06.0020
Certificate ATEX Dust	PTB 01 ATEX 1150
Gas explosion protection IECEX	Ex db eb IIC T5 Gb
Gas explosion protection ATEX	Ⓜ II 2 G Ex db eb IIC T5 Gb
Dust explosion protection IECEX	Ex tb IIIC T75 °C Db
Dust explosion protection ATEX	Ⓜ II 2 D Ex tb IIIC T75 °C Db
Gas explosion protection IECEX 2	Ex db eb IIC T6 Gb
Gas explosion protection ATEX 2	Ⓜ II 2 G Ex db eb IIC T6 Gb
Dust explosion protection IECEX 2	Ex tb IIIC T60 °C
Dust Explosion Protection ATEX 2	Ⓜ II Ex tb IIIC T60 °C
Certificates	ATEX (PTB), Brazil (ULB), EAC (LPE), IECEX (PTB), Korea (KGS), Taiwan (ITRI)
Electrical Data	
Auxiliary contact exist	Yes
Ambient Conditions	
Notes	T6: 63 A -45 ... +40 °C T6: 50 A -45 ... +50 °C T5: 63 A -45 ... +55 °C
Mechanical Data	
Type of protection (IP)	IP66
Type of protection note	according to IEC/EN 60529
Enclosure material	Polyester, glass fibre-reinforced
Silicone-free	Yes
Connection terminals min.	16 mm <sup>2</sup>
Connection terminals finely-stranded max.	2 x 50 mm <sup>2</sup>
Stranded connection terminals max.	2 x 50 mm <sup>2</sup>
Components	
Notes	Mounted cable entries and stopping plugs made from moulded material

Accessories found on page 725

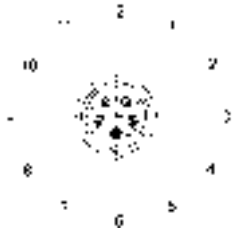
## Dimensional Drawings (All Dimensions in mm [inches]) – Subject to Alterations



Wall-mounting socket

**Arrangement of the Earth Contact Sleeves**

Example:  
Clock hour position,  
Front view of socket



Example:  
Clock hour position



230 V = 6 h

Marking of connections  
Front view of socket



3 P + PE



3 P + N + PE



- Degree of protection IP66, suitable for Zones 1, 2, 21 and 22 worldwide, extreme temperature range of -45 ... +55 °C
- No impact of torsional forces from the cable on the seal
- Strong mechanical protection against damage through high-quality, glass fibre-reinforced plastics

WebCode 8579E



R. STAHL Series 8579/12 CES plugs for Zone 1/21 are 4- or 5-pole 63 A plugs. The floating pins allow them to be inserted and removed quickly and easily. The pivoting strain relief makes it easier to install the cable. Self-cleaning and corrosion-free plug pins made from high-quality materials ensure optimum electrical contact.

	ATEX / IECEx					
Zone	0	1	2	20	21	22
Installation in		•	•		•	•

E3

Selection Table								
Detailed number of poles:		4 P (3 P + PE)						
Rated operational current:		0 – 63 A						
Ambient temperature °C:		-30 ... +55 °C						
Cable diameter:		24 – 36 mm						
Figure	Coding (clock hour position)	Rated operational voltage AC	Identification colour	Frequency range	Product Type	Art. No.	PS	Weight kg
	5	600 – 690 V	black	50 – 60 Hz	8579/12-405	153023 ▲	10	0.880
	6	380 – 415 V	red	50 – 60 Hz	8579/12-406	153029 ▲	10	0.880
	7	480 – 500 V	black	50 – 60 Hz	8579/12-407	153037 ▲	10	0.880
	9	200 – 250 V	blue	50 – 60 Hz	8579/12-409	153042 ▲	10	0.880
	11	440 – 460 V	red	60 – 60 Hz	8579/12-411	203781 ▲	10	0.940

### Selection Table

Detailed number of poles: 5 P (3 P + N + PE)  
 Rated operational current: 0 – 63 A  
 Ambient temperature °C: -30 ... +55 °C  
 Cable diameter: 24 – 36 mm

Figure	Coding (clock hour position)	Rated operational voltage AC	Identification colour	Frequency range	Product Type	Art. No.	PS	Weight kg
	5	347 – 400 V / 600 – 690 V	black	50 – 60 Hz	8579/12-505	203782	10	0.940
	6	200 – 240 V / 346 – 415 V	red	50 – 60 Hz	8579/12-506	152971 ▲	10	0.940
	7	277 – 288 V / 480 – 500 V	black	50 – 60 Hz	8579/12-507	152980 ▲	10	0.940
	9	120 – 144 V / 208 – 250 V	blue	50 – 60 Hz	8579/12-509	203783	10	0.940
	11	250 – 265 V / 440 – 460 V	red	60 – 60 Hz	8579/12-511	203784 ▲	10	0.940

### Technical Data

#### Explosion Protection

Certificate IECEX Gas	IECEX PTB 06.0020
Certificate ATEX Gas	PTB 01 ATEX 1150
Certificate IECEX Dust	IECEX PTB 06.0020
Certificate ATEX Dust	PTB 01 ATEX 1150
Gas explosion protection IECEX	Ex db eb IIC T4 Gb
Gas explosion protection IECEX 2	Ex db eb IIC T5 Gb
Gas explosion protection ATEX	Ⓔ II 2 G Ex db eb IIC T4 Gb
Gas explosion protection ATEX 2	Ⓔ II 2 G Ex db eb IIC T5 Gb
Dust explosion protection ATEX	Ⓔ II 2 D Ex tb IIIC T105 °C Db
Dust Explosion Protection ATEX 2	Ⓔ II Ex tb IIIC T90 °C
Dust explosion protection IECEX	Ex tb IIIC T105 °C Db
Dust explosion protection IECEX 2	Ex tb IIIC T90 °C
Certificates	ATEX (PTB), Brazil (ULB), EAC (LPE), IECEX (PTB), Korea (KGS), Taiwan (ITRI)

#### Ambient Conditions

Notes	T6: 63 A -45 ... +40 °C T6: 50 A -45 ... +50 °C T5: 63 A -45 ... +55 °C
-------	---

#### Mechanical Data

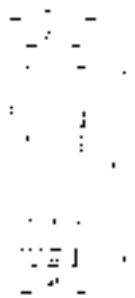
Type of protection (IP)	IP66
Type of protection note	according to IEC/EN 60529
Enclosure material	Polyamide
Connection terminals min.	2.5 mm <sup>2</sup>
Connection terminals finely-stranded max.	16 mm <sup>2</sup>

#### Components

Cable diameter note	Ring 1 + 2 + 3:	24 ... 27 mm
	Ring 2 + 3:	27 ... 30 mm
	Ring 3:	30 ... 33 mm
	without inner ring:	33 ... 36 mm

Accessories found on page 725

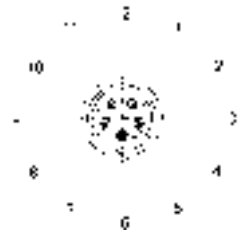
Dimensional Drawings (All Dimensions in mm [inches]) – Subject to Alterations



A = 260 mm B = 84 mm C = 69.5 D = 112 mm

Arrangement of the Earth Contact Sleeves

Example:  
Clock hour position,  
Front view of plug



Example:  
Clock hour position



Marking of connections  
Front view of plug



E3



- Extreme temperature range of  $-45 \dots +55 \text{ }^{\circ}\text{C}$
- Reliable load disconnect switch with clearly visible, lockable handle which also displays the switching position
- Integrated auxiliary contact for control and signalling purposes
- With AC-3 motor switching capacity according to IEC/EN 60947-3

WebCode **8581A**



R. STAHL Series 8581/31 CES sockets for Zone 1/21 in a 4- and 5-pole version have full AC-3 switching capacity up to 125 A. The high degree of protection IP66 guarantees the highest level of protection against the penetration of dust and/or water in any application position. Self-cleaning lamellar contacts provide optimum contact and the plugs can be inserted and removed in the zero position quickly and easily. The load disconnect switch, with mechanical locking device and a handle that can be locked in the 0 or I position, is an additional safety feature.

E3

	ATEX / IECEx					
Zone	0	1	2	20	21	22
Installation in		•	•		•	•


### Selection Table

Detailed number of poles: 4 P (3 P + PE)  
 Rated operational current: 0 – 125 A  
 Ambient temperature °C:  $-30 \dots +45 \text{ }^{\circ}\text{C}$   
 Cable diameter: –  
 Cable diameter 2: –


Figure	Coding (clock hour position)	Rated operational voltage AC	Identification colour	Frequency range	Plate with threaded hole	Cable entry	Plug	Art. No.	PS	Weight kg
	5	600 – 690 V	black	50 – 60 Hz	with 2 x M63-M50	to be ordered as accessory	1 x M50	220120 ▲	10	21.400
	6	380 – 415 V	red	50 – 60 Hz	with 2 x M63-M50	to be ordered as accessory	1 x M50	220117	10	21.400
	7	480 – 500 V	black	50 – 60 Hz	with 2 x M63-M50	to be ordered as accessory	1 x M50	220119	10	21.400
	9	200 – 250 V	blue	50 – 60 Hz	with 2 x M63-M50	to be ordered as accessory	1 x M50	220118	10	21.400

## Selection Table

Detailed number of poles: 4 P (3 P + PE)  
 Rated operational current: 0 – 125 A  
 Ambient temperature °C: -30 ... +55 °C  
 Cable diameter: 28 – 48 mm  
 Cable diameter 2: –

Figure	Coding (clock hour position)	Rated operational voltage AC	Identification colour	Frequency range	Plate with threaded hole	Cable entry	Plug	Art. No.	PS	Weight kg
	6	380 – 415 V	red	50 – 60 Hz	–	1 x M63	1 x M25	206787 ▲	10	21.400
	7	480 – 500 V	black	50 – 60 Hz	–	1 x M63	1 x M25	206788 ▲	10	21.400
	9	200 – 250 V	blue	50 – 60 Hz	–	1 x M63	1 x M25	206789 ▲	10	21.400

Detailed number of poles: 5 P (3 P + N + PE)  
 Rated operational current: 0 – 125 A  
 Ambient temperature °C: -30 ... +55 °C  
 Cable diameter: 28 – 48 mm  
 Cable diameter 2: –

Figure	Coding (clock hour position)	Rated operational voltage AC	Identification colour	Frequency range	Plate with threaded hole	Cable entry	Plug	Art. No.	PS	Weight kg
	6	346 – 415 V	red	50 – 60 Hz	–	1 x M63	1 x M25	206784 ▲	10	21.400
	7	480 – 500 V	black	50 – 60 Hz	–	1 x M63	1 x M25	206786	10	21.400

Variants with a temperature range of -45 ... +55 °C are available on request.  
 For information on compatible plugs, see page 723

Plate for threaded holes: made of brass, for metal cable glands  
 For information on cable glands and other accessories, see Chapter E10, page 990

## Technical Data

### Explosion Protection

Certificate IECEX Gas	IECEX PTB 06.0034
Certificate ATEX Gas	PTB 01 ATEX 1161
Certificate IECEX Dust	IECEX PTB 06.0034
Certificate ATEX Dust	PTB 01 ATEX 1161
Gas explosion protection IECEX	Ex db eb IIC T5 Gb
Gas explosion protection IECEX 2	Ex db eb IIC T6 Gb
Gas explosion protection ATEX	Ⓢ II 2 G Ex db eb IIC T5 Gb
Gas explosion protection ATEX 2	Ⓢ II 2 G Ex db eb IIC T6 Gb
Dust explosion protection IECEX	Ex tb IIIC T95 °C Db
Dust explosion protection IECEX 2	Ex tb IIIC T80 °C
Dust explosion protection ATEX	Ⓢ II 2 D Ex tb IIIC T95 °C Db
Dust Explosion Protection ATEX 2	Ⓢ II Ex tb IIIC T80 °C
Certificates	ATEX (PTB), Brazil (ULB), EAC (LPE), IECEX (PTB), Korea (KGS)

### Electrical Data

Auxiliary contact exist Yes

### Ambient Conditions

Notes T6: -30 ... +40 °C  
 T5: -30 ... +55 °C

### Mechanical Data

Type of protection (IP)	IP66
Type of protection note	according to IEC/EN 60529
Enclosure material	Polyester, glass fibre-reinforced
Silicone-free	Yes
Connection terminals min.	35 mm <sup>2</sup>

## Technical Data

### Mechanical Data

Connection terminals finely-stranded max.	2 x 150 mm <sup>2</sup>
Stranded connection terminals max.	2 x 150 mm <sup>2</sup>

Accessories found on page 725

## Dimensional Drawings (All Dimensions in mm [inches]) – Subject to Alterations

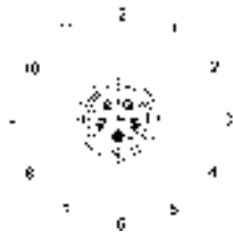


E3

Wall-mounting socket

## Arrangement of the Earth Contact Sleeves

Example:  
Clock hour position,  
Front view of socket



Example:  
Clock hour position



230 V = 6 h

Marking of connections  
Front view of socket



2 P + PE



3 P + PE



3 P + N + PE



- Degree of protection IP66, suitable for Zones 1, 2, 21 and 22 worldwide, extreme temperature range of -45 ... +55 °C
- No impact of torsional forces from the cable on the seal
- Strong mechanical protection against damage through high-quality, glass fibre-reinforced plastics

WebCode 8581E



R. STAHL Series 8581/12 CES plugs for Zone 1/21 are 4- or 5-pole 125 A plugs. The floating pins allow them to be inserted and removed quickly and easily. The pivoting strain relief makes it easier to install the cable. Self-cleaning and corrosion-free plug pins made from high-quality materials ensure optimum electrical contact.

	ATEX / IECEx					
Zone	0	1	2	20	21	22
Installation in		•	•		•	•

E3

Selection Table								
Detailed number of poles:		4 P (3 P + PE)						
Rated operational current:		0 – 125 A						
Ambient temperature:		-30 °C ... +45 °C						
Cable diameter:		30 – 49 mm						
Figure	Coding (clock hour position)	Rated operational voltage AC	Identification colour	Frequency range	Product Type	Art. No.	PS	Weight kg
	6	380 – 415 V	red	50 – 60 Hz	8581/12-406	153514 ▲	10	1.280
	7	480 – 500 V	black	50 – 60 Hz	8581/12-407	153521 ▲	10	1.280
	9	200 – 250 V	blue	50 – 60 Hz	8581/12-409	153527 ▲	10	1.280
Detailed number of poles:		5 P (3 P + N + PE)						
Rated operational current:		0 – 125 A						
Ambient temperature:		-30 °C ... +45 °C						
Cable diameter:		30 – 49 mm						
Figure	Coding (clock hour position)	Rated operational voltage AC	Identification colour	Frequency range	Product Type	Art. No.	PS	Weight kg
	6	200 – 240 V / 346 – 415 V	red	50 – 60 Hz	8581/12-506	153470 ▲	10	1.380
	7	277 – 288 V / 480 – 500 V	black	50 – 60 Hz	8581/12-507	153476	10	1.380

### Technical Data

#### Explosion Protection

Certificate IECEX Gas	IECEX PTB 06.0034
Certificate ATEX Gas	PTB 01 ATEX 1161
Certificate IECEX Dust	IECEX PTB 06.0034
Certificate ATEX Dust	PTB 01 ATEX 1161
Gas explosion protection IECEX	Ex db eb IIC T5 Gb
Gas explosion protection ATEX	Ⓜ II 2 G Ex db eb IIC T5 Gb
Dust explosion protection IECEX	Ex tb IIIC T95 °C Db
Dust explosion protection ATEX	Ⓜ II 2 D Ex tb IIIC T95 °C Db
Gas explosion protection IECEX 2	Ex db eb IIC T6 Gb
Gas explosion protection ATEX 2	Ⓜ II 2 G Ex db eb IIC T6 Gb
Dust explosion protection IECEX 2	Ex tb IIIC T80 °C
Dust Explosion Protection ATEX 2	Ⓜ II Ex tb IIIC T80 °C
Certificates	ATEX (PTB), Brazil (ULB), IECEX (PTB), Korea (KGS)

#### Ambient Conditions

Notes	T6: -45 ... +40 °C
	T5: -45 ... +55 °C

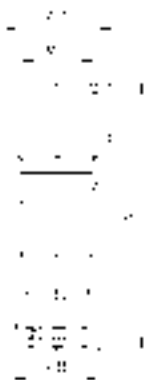
#### Mechanical Data

Type of protection (IP)	IP66
Type of protection note	according to IEC/EN 60529
Enclosure material	Polyamide, glass fibre-reinforced
Silicone-free	Yes
Connection terminals min.	35 mm <sup>2</sup>

#### Components

Cable diameter note	Ring 1 + 2 + 3 + 4:	30 ... 35 mm
	Ring 2 + 3 + 4:	35 ... 40 mm
	Ring 3 + 4:	40 ... 45 mm
	Ring 4:	45 ... 49 mm

### Dimensional Drawings (All Dimensions in mm [inches]) – Subject to Alterations



A = 310.5 mm B = 96 mm C = 82 mm D = 125 mm

## Arrangement of the Earth Contact Sleeves

Example:  
Clock hour position,  
Front view of plug



Example:  
Clock hour position



Marking of connections  
Front view of plug

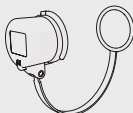


## Accessories and Spare Parts

Figure	Description	Art. No.	PS	Weight kg
<b>Auxiliary contact (retrofitable) for Series 8570/11, 8571/11</b>				
	1 NC max. 500 V AC, max. 110 V DC max. 6 A 2 x 0.5 ... 2.5 mm <sup>2</sup> solid / finely stranded	150680	10	0.125
	1 NC, gold contact max. 500 V AC, max. 110 V DC max. 6 A 2 x 0.5 ... 2.5 mm <sup>2</sup> solid / finely stranded	150684	10	0.125
	1 NO max. 500 V AC, max. 110 V DC max. 6 A 2 x 0.5 ... 2.5 mm <sup>2</sup> solid / finely stranded	150682	10	0.125
	1 NO, gold contact max. 500 V AC, max. 110 V DC max. 6 A 2 x 0.5 ... 2.5 mm <sup>2</sup> solid / finely stranded	150686	10	0.125
<b>Auxiliary contact (retrofitable) for Series 8579, 8581</b>				
	2 NC contacts (8080/1-3) 250 V AC/DC max. 6 A 1.5 ... 2.5 mm <sup>2</sup> solid / finely stranded The switching function of the auxiliary contact depends on the installation slot used. Left and right: synchronising	168356	19	0.026
	1 NC contact + 1 NO contact (8080/1-1) 250 V AC/DC max. 6 A 1.5 ... 2.5 mm <sup>2</sup> solid / finely stranded The switching function of the auxiliary contact depends on the installation slot used. Left: delayed (ON), leading (OFF) Right: synchronising	168351	19	0.026
	2 NO contacts (8080/1-4) 250 V AC/DC max. 6 A 1.5 ... 2.5 mm <sup>2</sup> solid / finely stranded The switching function of the auxiliary contact depends on the installation slot used. Left and right: synchronising	168353	19	0.026
<b>Dust cover for wall mounting sockets 16 A Series 8570/11</b>				
	retrofitable dust protection for 2-/3-pole sockets	253118	10	0.006
	retrofitable dust protection for 4-pole sockets	255003	10	0.008
	retrofitable dust protection for 5-pole sockets	255004	10	0.008

E3

## Accessories and Spare Parts

Figure	Description	Art. No.	PS	Weight kg
<b>Dust cover for wall mounting sockets 32 A Series 8571/11</b>				
	retrofitable dust protection for 4-pole sockets	255005	10	0.009
	retrofitable dust protection for 5-pole sockets	253117	10	0.009
<b>Dust cover for wall mounting sockets, compact Series 8572/13</b>				
	retrofitable dust protection for 3-pole sockets	257438	10	0.010
<b>Dust cover for wall mounting sockets, compact, extra low voltage Series 8573/13</b>				
	retrofitable dust protection for 2-/3-pole sockets	257439	10	0.010
<b>Protective cap for plugs 16 A</b>				
	3 pole	150496 ▲	10	0.043
	4 pole	150510 ▲	10	0.049
	5 pole	150520 ▲	10	0.056
<b>Protective cap for plugs 32 A</b>				
	4 pole	150856 ▲	10	0.070
	5 pole	150865 ▲	10	0.077
<b>Protective cap for plugs 63 A</b>				
	4-/5-poles	153261 ▲	10	0.100
<b>Protective cap for plugs 125 A</b>				
	4-/5-poles	153730	10	0.120

E3



- Coupler sockets, 16 A, various voltage ranges acc. to EN 60309
- Easy to transport in stainless steel carrying frame with large carrying handle, free-standing set-up on feet
- For use in Zones 1, 2, 21 and 22

WebCode **8570B**



R. STAHL Series 8570/16 Zone 1 coupler sockets with switch socket are used to connect portable and fixed electrical equipment as well as cables and circuits in hazardous areas. Application range in Zone 1, 21 with full AC-3 switching capacity up to 16 A. With their stainless steel carrying frame with large carrying handle, they are easy to transport and can be positioned on the feet flexibly and securely.

	ATEX / IECEx					
Zone	0	1	2	20	21	22
Installation in		•	•		•	•

E3

Selection Table							
Detailed number of poles:		3 P (2 P + PE)					
Rated operational current:		0 – 16 A					
Coding (clock hour position)	Rated operational voltage AC	Identification colour	Frequency range	Product Type	Art. No.	PS	Weight kg
4	100 – 130 V	yellow	50 – 60 Hz	8570/16-304	150660	10	2.100
6	200 – 250 V	blue	50 – 60 Hz	8570/16-306	150662	10	2.100
Detailed number of poles:		4 P (3 P + PE)					
Rated operational current:		0 – 16 A					
Coding (clock hour position)	Rated operational voltage AC	Identification colour	Frequency range	Product Type	Art. No.	PS	Weight kg
5	600 – 690 V	black	50 – 60 Hz	8570/16-405	150667	10	2.350
6	380 – 415 V	red	50 – 60 Hz	8570/16-406	150664	10	2.350
7	480 – 500 V	black	50 – 60 Hz	8570/16-407	150665	10	2.350
9	200 – 250 V	blue	50 – 60 Hz	8570/16-409	218949	10	2.350

## Selection Table

Detailed number of poles: Rated operational current:		5 P (3 P + N + PE) 0 – 16 A					
Coding (clock hour position)	Rated operational voltage AC	Identification colour	Frequency range	Product Type	Art. No.	PS	Weight kg
5	347 – 400 V / 600 – 690 V	black	50 – 60 Hz	8570/16-505	150673	10	2.450
6	200 – 240 V / 346 – 415 V	red	50 – 60 Hz	8570/16-506	150669	10	2.450
7	277 – 288 V / 480 – 500 V	black	50 – 60 Hz	8570/16-507	150671	10	2.450

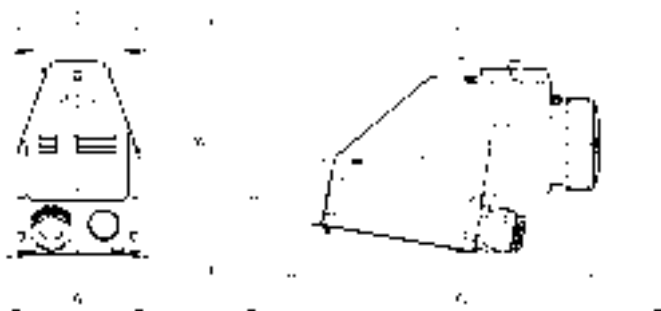
## Technical Data

Explosion Protection	
Certificate IECEX Gas	IECEX PTB 05.0023
Certificate ATEX Gas	PTB 03 ATEX 1227
Certificate IECEX Dust	IECEX PTB 05.0023
Certificate ATEX Dust	PTB 03 ATEX 1227
Ambient temperature °C	-30 ... +55 °C
Gas explosion protection IECEX	Ex db eb IIC T6 Gb
Gas explosion protection ATEX	Ⓔ II 2 G Ex db eb IIC T6 Gb
Dust explosion protection IECEX	Ex tb IIIC T80 °C Db
Dust explosion protection ATEX	Ⓔ II 2 D Ex tb IIIC T80 °C Db
Certificates	ATEX (PTB), Brazil (ULB), EAC (STV), IECEX (PTB)
Mechanical Data	
Type of protection (IP)	IP66
Enclosure material	Polyamide
Material of frame	Stainless steel
Components	
Cable entry	1 x M25
Cable diameter	13 – 18 mm
Plug	1 x M25

Further technical data see Wall-mounting Sockets Series 8570/11 page 673

Cable glands and other accessories see Chapter E10, page 990

## Dimensional Drawings (All Dimensions in mm [inches]) – Subject to Alterations



Coupler socket 16 A: A = 149 mm B = 249 mm  
C = 415 mm  
Coupler socket 32 A: A = 149 mm B = 249 mm  
C = 415 mm



- Coupler sockets, 32 A, various voltage ranges acc. to EN 60309
- Safe transport in stainless steel carrying frame with large carrying handle, free-standing set-up on feet
- For use in Zones 1, 2, 21 and 22

WebCode **8571F**



R. STAHL Series 8571/16 Zone 1 coupler sockets with switch socket are used to connect portable and fixed electrical equipment as well as cables and circuits in hazardous areas. Application range in Zone 1, 21 with full AC-3 switching capacity up to 32 A. With their stainless steel carrying frame with large carrying handle, they are easy to transport and can be positioned on the feet flexibly and securely.

	ATEX / IECEx					
Zone	0	1	2	20	21	22
Installation in		•	•		•	•

E3

Selection Table							
Detailed number of poles:		4 P (3 P + PE)					
Rated operational current:		0 – 32 A					
Coding (clock hour position)	Rated operational voltage AC	Identification colour	Frequency range	Product Type	Art. No.	PS	Weight kg
5	600 – 690 V	black	50 – 60 Hz	8571/16-405	150955	10	3.100
6	380 – 415 V	red	50 – 60 Hz	8571/16-406	150952	10	3.100
7	480 – 500 V	black	50 – 60 Hz	8571/16-407	150953	10	3.100
9	200 – 250 V	blue	50 – 60 Hz	8571/16-409	220138	10	3.100
Detailed number of poles:		5 P (3 P + N + PE)					
Rated operational current:		0 – 32 A					
Coding (clock hour position)	Rated operational voltage AC	Identification colour	Frequency range	Product Type	Art. No.	PS	Weight kg
5	347 – 400 V / 600 – 690 V	black	50 – 60 Hz	8571/16-505	150961	10	3.350
6	200 – 240 V / 346 – 415 V	red	50 – 60 Hz	8571/16-506	150957	10	3.350
7	277 – 288 V / 480 – 500 V	black	50 – 60 Hz	8571/16-507	150959	10	3.350

## Technical Data

### Explosion Protection

Certificate IECEX Gas	IECEX PTB 05.0024
Certificate ATEX Gas	PTB 04 ATEX 1060
Certificate IECEX Dust	IECEX PTB 05.0024
Certificate ATEX Dust	PTB 04 ATEX 1060
Ambient temperature °C	-30 ... +55 °C
Gas explosion protection IECEX	Ex db eb IIC T5 Gb
Gas explosion protection ATEX	Ⓜ II 2 G Ex db eb IIC T5 Gb
Dust explosion protection IECEX	Ex tb IIIC T75 °C Db
Dust explosion protection ATEX	Ⓜ II 2 D Ex tb IIIC T75 °C Db
Ambient temperature °C 2	-30 ... +40 °C
Gas explosion protection IECEX 2	Ex db eb IIC T6 Gb
Gas explosion protection ATEX 2	Ⓜ II 2 G Ex db eb IIC T6 Gb
Dust explosion protection IECEX 2	Ex tb IIIC T60 °C
Dust Explosion Protection ATEX 2	Ⓜ II Ex tb IIIC T60 °C
Certificates	ATEX (PTB), Brazil (ULB), EAC (STV), IECEX (PTB)

### Mechanical Data

Type of protection (IP)	IP66
Enclosure material	Polyamide
Material of frame	Stainless steel

### Components

Cable entry	1 x M32
Cable diameter	18 – 25 mm
Plug	1 x M32

Further technical data see Wall-mounting Sockets Series 8571/11 page 706

Cable glands and other accessories see Chapter E10, page 990

## Dimensional Drawings (All Dimensions in mm [inches]) – Subject to Alterations



Coupler socket 16 A: A = 149 mm B = 249 mm  
C = 415 mm  
Coupler socket 32 A: A = 149 mm B = 249 mm  
C = 415 mm



- Multiple options for easy use, simple installation and maintenance
- Safe and fast disconnection under load
- 4/4+1-pole, up to 10 A, high transfer rate (100 MBit/s) ideal for fieldbus installations
- Suitable for harsh industry environments, IP66/IP68, for Zones 1, 2, 21 and 22

WebCode **8591A**



R. STAHL Series 8591/1 and 8591/4 4-pole, explosion-protected miniCLIX plug connectors disconnect non-intrinsically safe circuits up to 250 V/10 A and are used as a hot swap plug connection for signal and data cables. They are available in various versions and materials: Device plugs, flange sockets, plugs/couplers made of polyamide, nickel-plated brass or stainless steel. The cable can be connected using a crimp or spring clamp terminal. Preinstalled cables for device plugs and flange sockets enable fast and safe installation in the end devices.

	ATEX / IECEx					
Zone	0	1	2	20	21	22
Installation in		•	•		•	•

E3

Selection Table										
Product Description: Plug Connector miniCLIX Coupler										
Figure	Enclosure material	Detailed number of poles	Rated operational voltage AC	Rated operational voltage DC	Coding (clock hour position)	Connection type	Clamping range	Art. No.	PS	Weight kg
	Brass nickel plated	2 P + PE	230 – 250 V	–	6	1,5 mm <sup>2</sup> crimp	4 ... 7.5 mm	154025 ▲	53	0.145
	Brass nickel plated	4 P	–	24 – 24 V	8	1,5 mm <sup>2</sup> crimp	4 ... 7.5 mm	169180 ▲	53	0.010
	Brass nickel plated	4 P + PE	230 – 250 V	–	10	1,5 mm <sup>2</sup> crimp	4 ... 7.5 mm	153995 ▲	53	0.152
	Plastic	2 P + PE	230 – 250 V	–	6	1,5 mm <sup>2</sup> crimp	4 ... 7.5 mm	169177 ▲	53	0.083
	Plastic	4 P	–	24 – 24 V	8	1,5 mm <sup>2</sup> crimp	4 ... 7.5 mm	169178 ▲	53	0.081
	Plastic	4 P + PE	230 – 250 V	–	10	1,5 mm <sup>2</sup> crimp	4 ... 7.5 mm	153998	53	0.083
	Stainless steel	4 P	–	24 – 24 V	8	1,5 mm <sup>2</sup> crimp	4 ... 7.5 mm	169179	53	0.888
	Stainless steel	4 P + PE	–	24 – 24 V	5	1,5 mm <sup>2</sup> crimp	4 ... 7.5 mm	169200	53	0.145

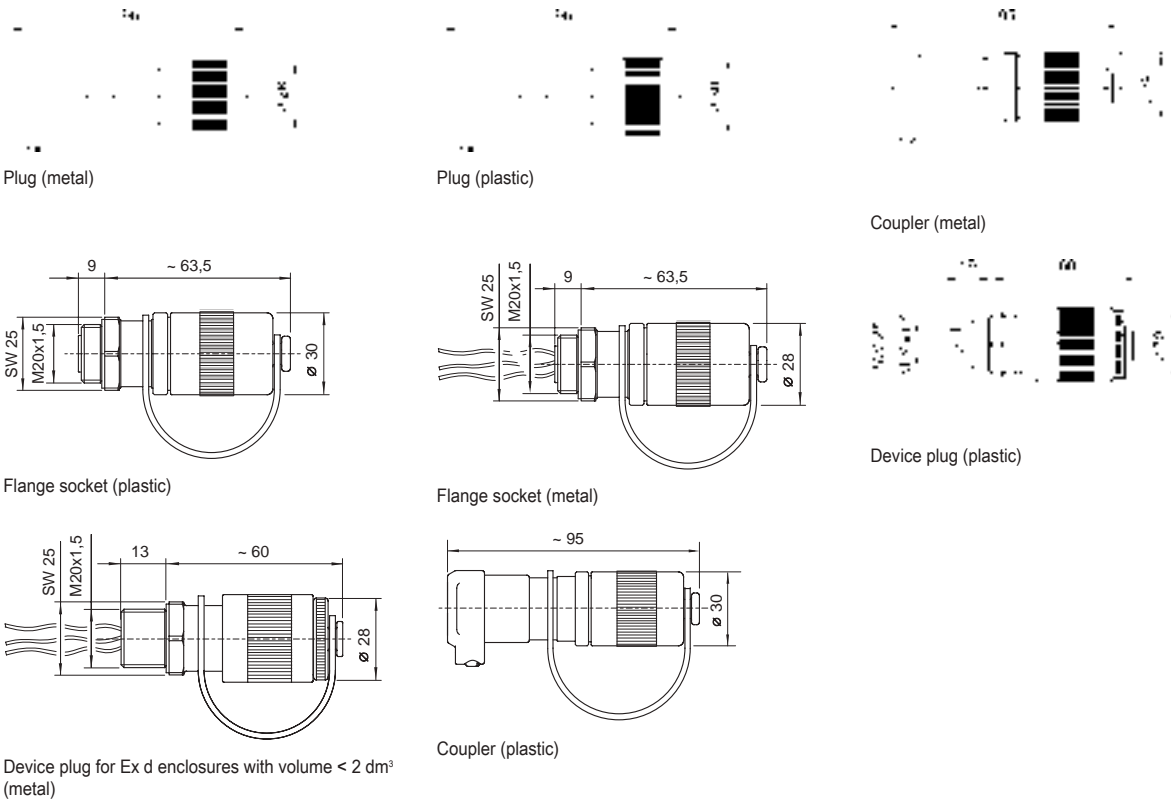
**Selection Table**

Product Description: Plug Connector miniCLIX Device plug < 2 dm <sup>3</sup>										
Figure	Enclosure material	Detailed number of poles	Rated operational voltage AC	Rated operational voltage DC	Coding (clock hour position)	Connection type	Clamping range	Art. No.	PS	Weight kg
	Brass nickel plated	2 P + PE	230 – 250 V	–	6	1,5 mm <sup>2</sup> electrical line 30 cm	–	154050 ▲	53	0.162
	Brass nickel plated	4 P	–	24 – 24 V	8	1,5 mm <sup>2</sup> electrical line 30 cm	–	154054 ▲	53	0.170
	Brass nickel plated	4 P + PE	230 – 250 V	–	10	1,5 mm <sup>2</sup> electrical line 30 cm	–	154019 ▲	53	0.193
	Plastic	2 P + PE	230 – 250 V	–	6	1,5 mm <sup>2</sup> crimp	–	154048 ▲	53	0.162
	Plastic	4 P	–	24 – 24 V	8	1,5 mm <sup>2</sup> crimp	–	154052 ▲	53	0.170
	Plastic	4 P + PE	230 – 250 V	–	10	1,5 mm <sup>2</sup> crimp	–	154022 ▲	53	0.193
	Stainless steel	4 P	–	24 – 24 V	8	1,5 mm <sup>2</sup> electrical line 30 cm	–	169196	53	0.010
Product Description: Plug Connector miniCLIX Flange socket										
Figure	Enclosure material	Detailed number of poles	Rated operational voltage AC	Rated operational voltage DC	Coding (clock hour position)	Connection type	Clamping range	Art. No.	PS	Weight kg
	Brass nickel plated	2 P + PE	230 – 250 V	–	6	1,5 mm <sup>2</sup> electrical line 30 cm	–	154042 ▲	53	0.148
	Brass nickel plated	4 P	–	24 – 24 V	8	1,5 mm <sup>2</sup> electrical line 30 cm	–	154046 ▲	53	0.156
	Brass nickel plated	4 P + PE	230 – 250 V	–	10	1,5 mm <sup>2</sup> electrical line 30 cm	–	154013 ▲	53	0.174
	Plastic	2 P + PE	230 – 250 V	–	6	1,5 mm <sup>2</sup> crimp	–	154040 ▲	53	0.064
	Plastic	4 P	–	24 – 24 V	8	1,5 mm <sup>2</sup> crimp	–	154044 ▲	53	0.065
	Plastic	4 P + PE	230 – 250 V	–	10	1,5 mm <sup>2</sup> crimp	–	154016 ▲	53	0.067
	Stainless steel	4 P	–	24 – 24 V	8	1,5 mm <sup>2</sup> electrical line 30 cm	–	169193	53	0.100
Product Description: Plug Connector miniCLIX Plug										
Figure	Enclosure material	Detailed number of poles	Rated operational voltage AC	Rated operational voltage DC	Coding (clock hour position)	Connection type	Clamping range	Art. No.	PS	Weight kg
	Brass nickel plated	2 P + PE	230 – 250 V	–	6	1,5 mm <sup>2</sup> crimp	4 ... 7.5 mm	154034 ▲	53	0.168
	Brass nickel plated	4 P	–	24 – 24 V	8	1,5 mm <sup>2</sup> crimp	4 ... 7.5 mm	169188 ▲	53	0.168
	Brass nickel plated	4 P + PE	230 – 250 V	–	10	1,5 mm <sup>2</sup> crimp	4 ... 7.5 mm	154004 ▲	53	0.162
	Plastic	2 P + PE	230 – 250 V	–	6	1,5 mm <sup>2</sup> crimp	4 ... 7.5 mm	169185 ▲	53	0.200
	Plastic	4 P	–	24 – 24 V	8	1,5 mm <sup>2</sup> crimp	4 ... 7.5 mm	169186 ▲	53	0.083
	Plastic	4 P + PE	230 – 250 V	–	10	1,5 mm <sup>2</sup> crimp	4 ... 7.5 mm	154007 ▲	53	0.082
	Stainless steel	4 P	–	24 – 24 V	8	1,5 mm <sup>2</sup> crimp	4 ... 7.5 mm	169187	53	0.002

Device plugs and flange sockets in metal versions are pre-configured using a 30 cm conductor.

Technical Data	
Explosion Protection	
Certificate IECEX Gas	IECEX BKI 07.0001X
Certificate ATEX Gas	PTB 03 ATEX 1097 X
Certificate IECEX Dust	IECEX BKI 07.0001 X
Certificate ATEX Dust	PTB 03 ATEX 1097 X
Gas explosion protection IECEX	Ex db eb IIC T6 Gb
Gas explosion protection ATEX	Ⓜ II 2 G Ex db eb IIC T6 Gb
Dust explosion protection ATEX	Ⓜ II 2 D Ex tb IIIC T60 °C Db
Certificates	ATEX (PTB), IECEX (BKI)
Ambient Conditions	
Ambient temperature	-55 °C ... +40 °C
Mechanical Data	
Type of protection (IP)	IP66
Type of protection note	IP68 (2 m water column, 1 hour) according to IEC/EN 60529 (with protective caps closed and secured as well as properly fitted and secured components)

### Dimensional Drawings (All Dimensions in mm [inches]) – Subject to Alterations



E3

Device plugs and flange sockets in metal versions are pre-configured using a 30 cm conductor.



- Simple installation and maintenance in Zone 1, safe and fast disconnection under load
- 6+1-pole, rated voltage up to 400 V AC, rated current up to 16 A
- Suitable for harsh industry environments, IP66/IP68, for Zones 1, 2, 21 and 22

WebCode **8591B**



R. STAHL Series 8591/2 7-pole, explosion-protected miniCLIX plug connectors disconnect non-intrinsically safe circuits up to 400 V/16 A and are used as a hot swap plug connection for signal and data cables. They are available in various versions and materials: Device plugs, flange sockets, plugs/couplers made of polyamide, nickel-plated brass or stainless steel. The cable can be connected using a crimp or spring clamp terminal. Preinstalled cables for device plugs and flange sockets enable fast and safe installation in the end devices.

E3

Zone	ATEX / IECEx					
	0	1	2	20	21	22
Installation in		•	•		•	•

Selection Table										
Product Description:		Plug Connector miniCLIX Coupler								
Figure	Enclosure material	Detailed number of poles	Rated operational voltage AC	Rated operational voltage DC	Coding (clock hour position)	Connection type	Clamping range	Art. No.	PS	Weight kg
	Brass nickel plated	6 P + PE	230 – 250 V	–	6	1,5 mm <sup>2</sup> crimp	7 ... 11 mm	210731 ▲	53	0.100
	Brass nickel plated	6 P + PE	400 – 400 V	–	10	1,5 mm <sup>2</sup> crimp	7 ... 11 mm	210733 ▲	53	0.100
	Brass nickel plated	7 P	–	24 – 24 V	8	1,5 mm <sup>2</sup> crimp	7 ... 11 mm	210732 ▲	53	0.100
	Plastic	6 P + PE	230 – 250 V	–	6	1,5 mm <sup>2</sup> crimp	7 ... 11 mm	210726 ▲	53	0.127
	Plastic	6 P + PE	400 – 400 V	–	10	1,5 mm <sup>2</sup> crimp	7 ... 11 mm	210728 ▲	53	0.100
	Plastic	7 P	–	24 – 24 V	8	1,5 mm <sup>2</sup> crimp	7 ... 11 mm	210727 ▲	53	0.100
	Stainless steel	7 P	–	24 – 24 V	8	1,5 mm <sup>2</sup> crimp	7 ... 11 mm	210729	53	0.100

Selection Table										
Product Description: Plug Connector miniCLIX Device plug < 2 dm <sup>3</sup>										
Figure	Enclosure material	Detailed number of poles	Rated operational voltage AC	Rated operational voltage DC	Coding (clock hour position)	Connection type	Clamping range	Art. No.	PS	Weight kg
	Brass nickel plated	6 P + PE	230 – 250 V	–	6	1,5 mm <sup>2</sup> crimp	–	210758	53	0.100
	Brass nickel plated	6 P + PE	400 – 400 V	–	10	1,5 mm <sup>2</sup> crimp	–	210759 ▲	53	0.100
	Brass nickel plated	7 P	–	24 – 24 V	8	1,5 mm <sup>2</sup> crimp	–	210760 ▲	53	0.100
	Plastic	6 P + PE	230 – 250 V	–	6	1,5 mm <sup>2</sup> crimp	–	210755 ▲	53	0.100
	Plastic	6 P + PE	400 – 400 V	–	10	1,5 mm <sup>2</sup> crimp	–	210756 ▲	53	0.100
	Plastic	7 P	–	24 – 24 V	8	1,5 mm <sup>2</sup> crimp	–	210757 ▲	53	0.100
Product Description: Plug Connector miniCLIX Flange socket										
Figure	Enclosure material	Detailed number of poles	Rated operational voltage AC	Rated operational voltage DC	Coding (clock hour position)	Connection type	Clamping range	Art. No.	PS	Weight kg
	Brass nickel plated	6 P + PE	230 – 250 V	–	6	1,5 mm <sup>2</sup> crimp	–	210749 ▲	53	0.100
	Brass nickel plated	6 P + PE	400 – 400 V	–	10	1,5 mm <sup>2</sup> crimp	–	210750 ▲	53	0.100
	Plastic	6 P + PE	230 – 250 V	–	6	1,5 mm <sup>2</sup> crimp	–	210746 ▲	53	0.100
	Plastic	6 P + PE	400 – 400 V	–	10	1,5 mm <sup>2</sup> crimp	–	210747 ▲	53	0.100
	Plastic	7 P	–	24 – 24 V	8	1,5 mm <sup>2</sup> crimp	–	210748 ▲	53	0.100
Product Description: Plug Connector miniCLIX Plug										
Figure	Enclosure material	Detailed number of poles	Rated operational voltage AC	Rated operational voltage DC	Coding (clock hour position)	Connection type	Clamping range	Art. No.	PS	Weight kg
	Brass nickel plated	6 P + PE	230 – 250 V	–	6	1,5 mm <sup>2</sup> crimp	7 ... 11 mm	210741 ▲	53	0.100
	Brass nickel plated	6 P + PE	400 – 400 V	–	10	1,5 mm <sup>2</sup> crimp	7 ... 11 mm	210743 ▲	53	0.100
	Brass nickel plated	7 P	–	24 – 24 V	8	1,5 mm <sup>2</sup> crimp	7 ... 11 mm	210742 ▲	53	0.100
	Plastic	6 P + PE	230 – 250 V	–	6	1,5 mm <sup>2</sup> crimp	7 ... 11 mm	210736 ▲	53	0.100
	Plastic	6 P + PE	400 – 400 V	–	10	1,5 mm <sup>2</sup> crimp	7 ... 11 mm	210738 ▲	53	0.100
	Plastic	7 P	–	24 – 24 V	8	1,5 mm <sup>2</sup> crimp	7 ... 11 mm	210737 ▲	53	0.100

Device plugs and flange sockets in metal versions are pre-configured using a 30 cm conductor.

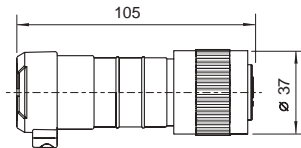
Technical Data	
Explosion Protection	
Certificate IECEX Gas	IECEX BKI 07.0001X
Certificate ATEX Gas	PTB 07 ATEX 1028 X
Certificate IECEX Dust	IECEX BKI 07.0001 X
Gas explosion protection IECEX	Ex db eb IIC T6 Gb
Gas explosion protection ATEX	Ⓜ II 2 G Ex db eb IIC T6 Gb
Dust explosion protection IECEX	Ex tb IIIC T60 °C Db
Dust explosion protection ATEX	Ex tb IIIC T60 °C Db
Certificates	ATEX (PTB), IECEX (BKI)
Ambient Conditions	
Ambient temperature	-55 °C ... +40 °C

## Technical Data

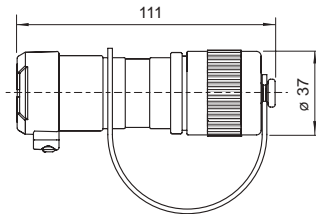
### Mechanical Data

Type of protection (IP)	IP66
Type of protection note	IP68 (2 m water column, 1 hour) according to IEC/EN 60529 (with protective caps closed and secured as well as properly fitted and secured components)

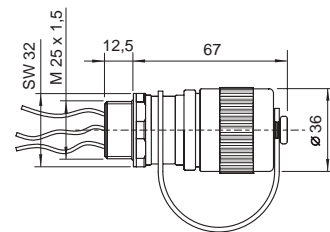
## Dimensional Drawings (All Dimensions in mm [inches]) – Subject to Alterations



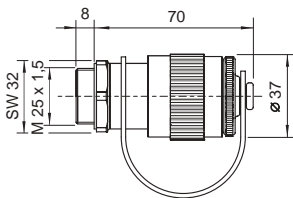
Plug (plastic, metal)



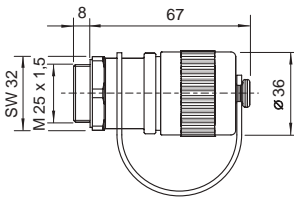
Coupler (plastic, metal)



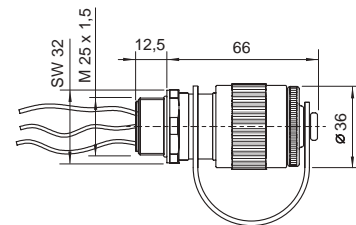
Flange socket (metal)



Flange socket (plastic)



Flange socket (plastic)

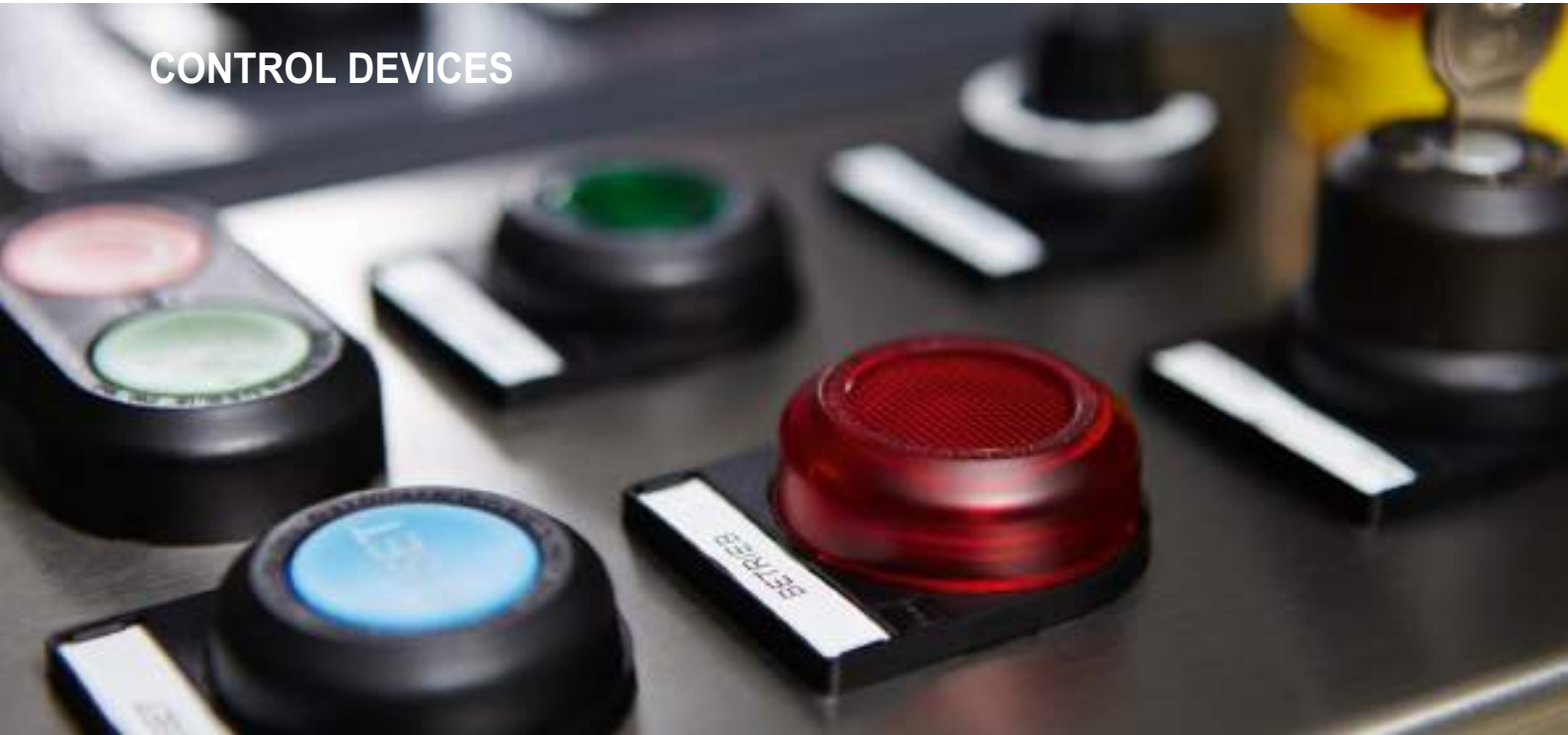


Device plug for Ex d enclosure with volume < 2 dm<sup>3</sup>  
(metal)

Device plugs and flange sockets in metal versions are pre-configured using a 30 cm conductor.



# CONTROL DEVICES



Product	Installation in Zone						Series	Page	WebCode
	0	1	2	20	21	22			
<b>Control and Distribution Boxes</b>									
Control and Distribution Boxes Made of Stainless Steel		•	•		•	•	8150	791	8150B
Control Stations Made of Polyester Resin		•	•		•	•	8146	785	8146F
<b>Control Devices for Panel Mounting</b>									
Control Buttons / Switches for Panel Mounting Plug-in Connection with Connection Line		•	•		•	•	8003	764	8003D
Control Buttons / Switches for Panel Mounting Spring Clamp Terminals with Connection Chamber		•	•		•	•	8003	758	8003A
Control Buttons / Switches for Panel Mounting Spring Clamp Terminals without Connection Chamber		•	•		•	•	8003	761	8003C
LED Illuminated Pushbutton for Panel Mounting		•	•		•	•	8018	773	8018A
LED Indicating Lamps for Panel Mounting with Connection Chamber		•	•		•	•	8013	769	8013A
LED Indicating Lamps for Panel Mounting without Connection Chamber		•	•		•	•	8013	771	8013B
<b>Control Equipment for Surface Mounting</b>									
Control Device System		•	•		•	•	8040	778	8040B
<b>Motion Sensor</b>									
Motion Sensor		•	•		•	•	8265	796	8265E
<b>Position Switch</b>									
Metal Position Switch		•	•		•	•	8074	739	8074D
Position Switch		•	•		•	•	8060	746	8060B
Position Switch		•	•		•	•	8070	752	8070C
<b>Accessories and Spare Parts</b>									
Accessories and Spare Parts Series 8003, 8013, 8018								775	
<b>Dimensional Drawings</b>									
Dimensional Drawings Series 8003								767	

For additional products and information please refer to [r-stahl.com](http://r-stahl.com)



- Operating temperature range: -40 °C to +70 °C
- Large inner connection chamber
- High-quality metal Ex e enclosure with outer PE connection
- Degree of protection IP66/67
- Five different contact versions
- Ten different actuator versions

WebCode **8074D**



Metal position switch; switch dimensions meet the requirements of DIN EN 50041. It is designed to detect the position of moving components. Certified versions fulfil the requirements for safety switches as set out in EN 13849-1 and have positive-opening contacts in accordance with EN 60947-5-1.

	ATEX / IECEx					
Zone	0	1	2	20	21	22
Installation in		•	•		•	•

Selection Table										
Actuator: Rated operational current:			Adjustable rocking lever 4.4 A							
Figure	Contacts	Switching function	Rated operational voltage (equal potential)	Rated operational voltage DC	Connection cross-section fine.	Connection cross-section solid	Product Type	Art. No.	PS	Weight kg
	1 NC + 1 NO	Slow-action contact	500 V	125 V	0.75 – 2.5 mm <sup>2</sup>	0.75 – 2.5 mm <sup>2</sup>	8074/2-1-DS-40	257189	17	0.386
	1 NC + 1 NO	Slow-action contact, overlapping	500 V	125 V	0.75 – 2.5 mm <sup>2</sup>	0.75 – 2.5 mm <sup>2</sup>	8074/2-5-DS-40	257218	17	0.386
	2 NC	Slow-action contact	400 V	125 V	0.75 – 2.5 mm <sup>2</sup>	0.75 – 2.5 mm <sup>2</sup>	8074/2-3-DS-40	257209	17	0.386
Actuator: Rated operational current:			Alignment Roller 4.4 A							
Figure	Contacts	Switching function	Rated operational voltage (equal potential)	Rated operational voltage DC	Connection cross-section fine.	Connection cross-section solid	Product Type	Art. No.	PS	Weight kg
	1 NC + 1 NO	Slow-action contact	500 V	125 V	0.75 – 2.5 mm <sup>2</sup>	0.75 – 2.5 mm <sup>2</sup>	8074/2-1-SR-40	257201	17	0.486


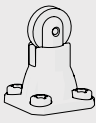
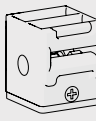
E4

## Selection Table

Actuator: Rated operational current:										
Long rocking lever 4.4 A										
Figure	Contacts	Switching function	Rated operational voltage (equal potential)	Rated operational voltage DC	Connection cross-section fine.	Connection cross-section solid	Product Type	Art. No.	PS	Weight kg
	1 NC + 1 NO	Slow-action contact	500 V	125 V	0.75 – 2.5 mm <sup>2</sup>	0.75 – 2.5 mm <sup>2</sup>	8074/2-1-DL-40	257188	17	0.422
	1 NC + 1 NO	Slow-action contact, overlapping	500 V	125 V	0.75 – 2.5 mm <sup>2</sup>	0.75 – 2.5 mm <sup>2</sup>	8074/2-5-DL-40	257217	17	0.422
	2 NC	Slow-action contact	400 V	125 V	0.75 – 2.5 mm <sup>2</sup>	0.75 – 2.5 mm <sup>2</sup>	8074/2-3-DL-40	257208	17	0.422
Actuator: Rated operational current:										
Parallel roller lever 4.4 A										
Figure	Contacts	Switching function	Rated operational voltage (equal potential)	Rated operational voltage DC	Connection cross-section fine.	Connection cross-section solid	Product Type	Art. No.	PS	Weight kg
	1 NC + 1 NO	Slow-action contact	500 V	125 V	0.75 – 2.5 mm <sup>2</sup>	0.75 – 2.5 mm <sup>2</sup>	8074/2-1-WPH-40	257186	17	0.307
	1 NC + 1 NO	Slow-action contact, overlapping	500 V	125 V	0.75 – 2.5 mm <sup>2</sup>	0.75 – 2.5 mm <sup>2</sup>	8074/2-5-WPH-40	257215	17	0.307
	2 NC	Slow-action contact	400 V	125 V	0.75 – 2.5 mm <sup>2</sup>	0.75 – 2.5 mm <sup>2</sup>	8074/2-3-WPH-40	257206	17	0.307
Actuator: Rated operational current:										
Plunger 4.4 A										
Figure	Contacts	Switching function	Rated operational voltage (equal potential)	Rated operational voltage DC	Connection cross-section fine.	Connection cross-section solid	Product Type	Art. No.	PS	Weight kg
	1 NC + 1 NO	Slow-action contact	500 V	125 V	0.75 – 2.5 mm <sup>2</sup>	0.75 – 2.5 mm <sup>2</sup>	8074/2-1-W-40	257197	17	0.298
	1 NC + 1 NO	Slow-action contact, overlapping	500 V	125 V	0.75 – 2.5 mm <sup>2</sup>	0.75 – 2.5 mm <sup>2</sup>	8074/2-5-W-40	257212	17	0.298
	2 NC	Slow-action contact	400 V	125 V	0.75 – 2.5 mm <sup>2</sup>	0.75 – 2.5 mm <sup>2</sup>	8074/2-3-W-40	257203	17	0.298
Actuator: Rated operational current:										
Rocking lever 4.4 A										
Figure	Contacts	Switching function	Rated operational voltage (equal potential)	Rated operational voltage DC	Connection cross-section fine.	Connection cross-section solid	Product Type	Art. No.	PS	Weight kg
	1 NC + 1 NO	Slow-action contact	500 V	125 V	0.75 – 2.5 mm <sup>2</sup>	0.75 – 2.5 mm <sup>2</sup>	8074/2-1-D-40	257187	17	0.360
	1 NC + 1 NO	Slow-action contact, overlapping	500 V	125 V	0.75 – 2.5 mm <sup>2</sup>	0.75 – 2.5 mm <sup>2</sup>	8074/2-5-D-40	257216	17	0.360
	2 NC	Slow-action contact	400 V	125 V	0.75 – 2.5 mm <sup>2</sup>	0.75 – 2.5 mm <sup>2</sup>	8074/2-3-D-40	257207	17	0.360
Actuator: Rated operational current:										
Rod lever 4.4 A										
Figure	Contacts	Switching function	Rated operational voltage (equal potential)	Rated operational voltage DC	Connection cross-section fine.	Connection cross-section solid	Product Type	Art. No.	PS	Weight kg
	1 NC + 1 NO	Slow-action contact	500 V	125 V	0.75 – 2.5 mm <sup>2</sup>	0.75 – 2.5 mm <sup>2</sup>	8074/2-1-DD-40	257190	17	0.340
	1 NC + 1 NO	Slow-action contact, overlapping	500 V	125 V	0.75 – 2.5 mm <sup>2</sup>	0.75 – 2.5 mm <sup>2</sup>	8074/2-5-DD-40	257219	17	0.340
	2 NC	Slow-action contact	400 V	125 V	0.75 – 2.5 mm <sup>2</sup>	0.75 – 2.5 mm <sup>2</sup>	8074/2-3-DD-40	257210	17	0.340

E4

## Selection Table

Actuator: Rated operational current:		Roller lever 4.4 A								
Figure	Contacts	Switching function	Rated operational voltage (equal potential)	Rated operational voltage DC	Connection cross-section fine.	Connection cross-section solid	Product Type	Art. No.	PS	Weight kg
	1 NC + 1 NO	Slow-action contact	500 V	125 V	0.75 – 2.5 mm <sup>2</sup>	0.75 – 2.5 mm <sup>2</sup>	8074/2-1-WH-40	257185	17	0.300
	1 NC + 1 NO	Slow-action contact, overlapping	500 V	125 V	0.75 – 2.5 mm <sup>2</sup>	0.75 – 2.5 mm <sup>2</sup>	8074/2-5-WH-40	257214	17	0.300
	2 NC	Slow-action contact	400 V	125 V	0.75 – 2.5 mm <sup>2</sup>	0.75 – 2.5 mm <sup>2</sup>	8074/2-3-WH-40	257205	17	0.300
Actuator: Rated operational current:		Roller plunger 4.4 A								
Figure	Contacts	Switching function	Rated operational voltage (equal potential)	Rated operational voltage DC	Connection cross-section fine.	Connection cross-section solid	Product Type	Art. No.	PS	Weight kg
	1 NC + 1 NO	Slow-action contact	500 V	125 V	0.75 – 2.5 mm <sup>2</sup>	0.75 – 2.5 mm <sup>2</sup>	8074/2-1-R-40	257184	17	0.299
	1 NC + 1 NO	Slow-action contact, overlapping	500 V	125 V	0.75 – 2.5 mm <sup>2</sup>	0.75 – 2.5 mm <sup>2</sup>	8074/2-5-R-40	257213	17	0.299
	2 NC	Slow-action contact	400 V	125 V	0.75 – 2.5 mm <sup>2</sup>	0.75 – 2.5 mm <sup>2</sup>	8074/2-3-R-40	257204	17	0.299
Actuator: Rated operational current:		Safety switch 0.25 A								
Figure	Contacts	Switching function	Rated operational voltage (equal potential)	Rated operational voltage DC	Connection cross-section fine.	Connection cross-section solid	Product Type	Art. No.	PS	Weight kg
	1 NC + 1 NO	Slow-action contact	250 V	230 V	0.75 – 1.5 mm <sup>2</sup>	0.75 – 1.5 mm <sup>2</sup>	8074/2-1-AZ-20	257202	17	0.340
	2 NC	Slow-action contact	250 V	230 V	0.75 – 1.5 mm <sup>2</sup>	0.75 – 1.5 mm <sup>2</sup>	8074/2-3-AZ-20	257211	17	0.340

The actuators enclosed are not mounted.

Safety switch, separate actuator made of metal (please order separately; see spare parts and accessories)

E4

## Technical Data

### Explosion Protection

Certificate IECEx Gas	IECEx BVS 16.0085
Certificate ATEX Gas	BVS 05 ATEX E 007
Certificate IECEx Dust	IECEx BVS 16.0085
Certificate ATEX Dust	BVS 05 ATEX E 007
Gas explosion protection IECEx	Ex de IIC T6 Gb
Gas explosion protection ATEX	Ⓔ II 2 G Ex de IIC T6 Gb
Dust explosion protection IECEx	Ex tb IIIC T80 °C Db
Dust explosion protection ATEX	Ⓔ II 2 D Ex tb IIIC T80 °C Db
Certificates	ATEX (BVS), EAC (CCVE), IECEx (BVS)

### Electrical Data

Rated operational voltage (unequal potential)	250 V
Electric service life	max. 10 <sup>9</sup> operating cycles
Mechanical service life	max. 10 <sup>9</sup> operating cycles
Rated impulse w. stand voltage	4 kV
Max. short-circuit protection	6 A
Maximum switching frequency	1800 switching cycles/h

## Technical Data

### Ambient Conditions

Notes	Ambient temperature: -40 ... +70 °C (Safety switch 8074/2--AZ-20: -20 ... +40 °C/+60 °C, depends on the temperature class)
-------	---

### Mechanical Data

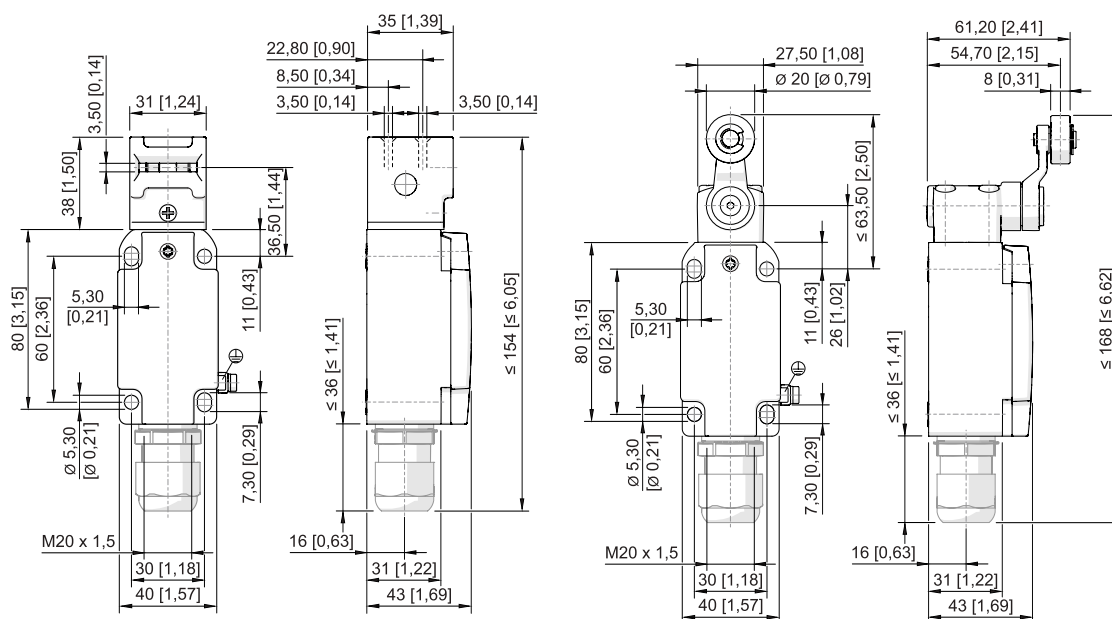
Type of protection (IP)	IP66
Type of protec. IP (IEC 60529)	IP66
Type of protection (IEC 60529) note	-40 °C
Enclosure material	non-corrosive Al, powder coat., Stainl. steel 1.4401, blasted
Contact material	silver-nickel
Contact system	2-pole, galvanically separated with double break
Contact opening	≥ 1.5 mm (isolating distance ≥ 3 mm)
Notes	Type 8074/2--DD-40 (rod lever) and 8074/2--DS-40 (adjustable rocking lever): No positive opening operation, not suitable for safety circuits!

### Components

Cable entry	1 x M20 Ø 4 – 13 mm
Material of cable entry	Plastic black

Accessories and spare parts on the Internet [r-stahl.com](http://r-stahl.com)

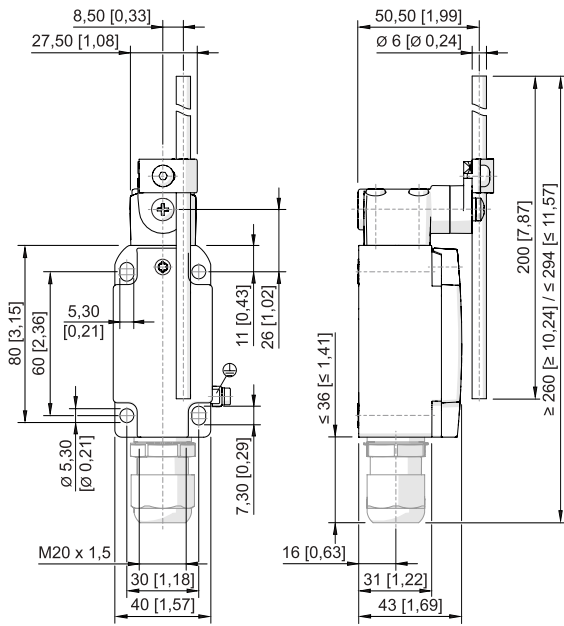
## Dimensional Drawings (All Dimensions in mm [inches]) – Subject to Alterations



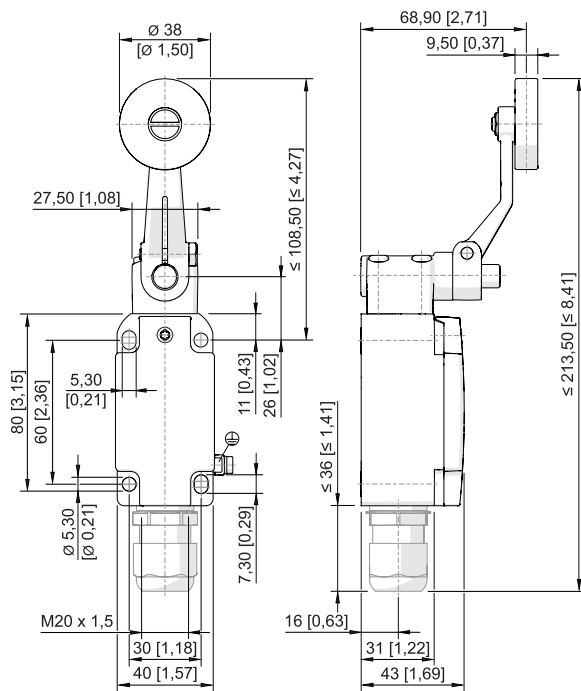
Safety switch 8074/2--AZ-20

Swivelling lever 8074/2--D-40

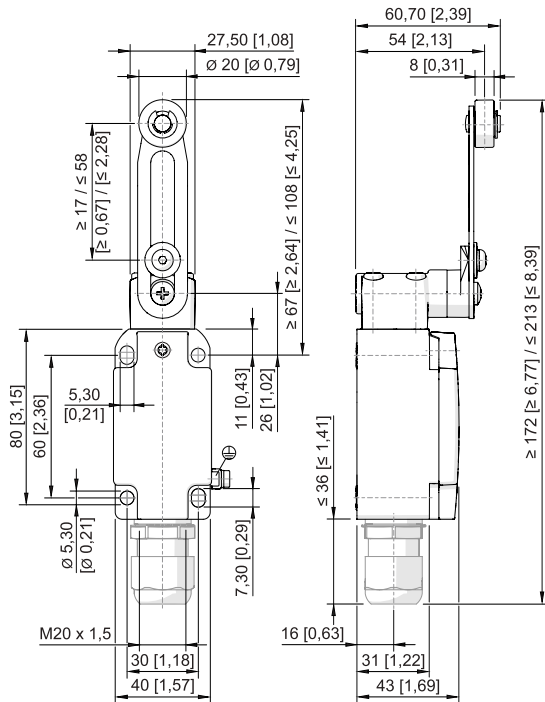
E4



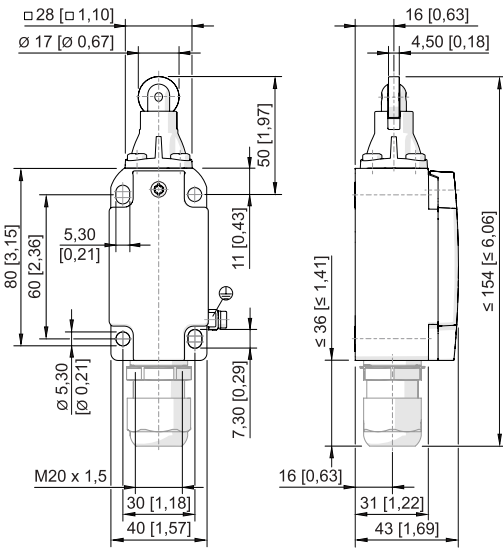
Roller lever 8074/2--DD-40



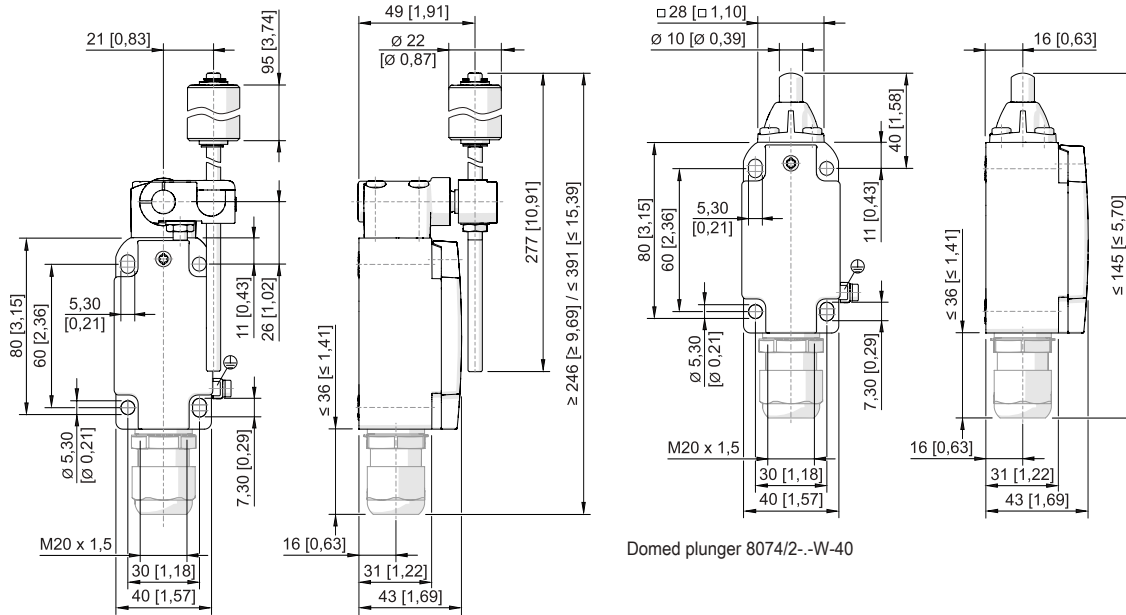
Swivelling lever 8074/2--DL-40



Swivelling lever 8074/2--DS-40

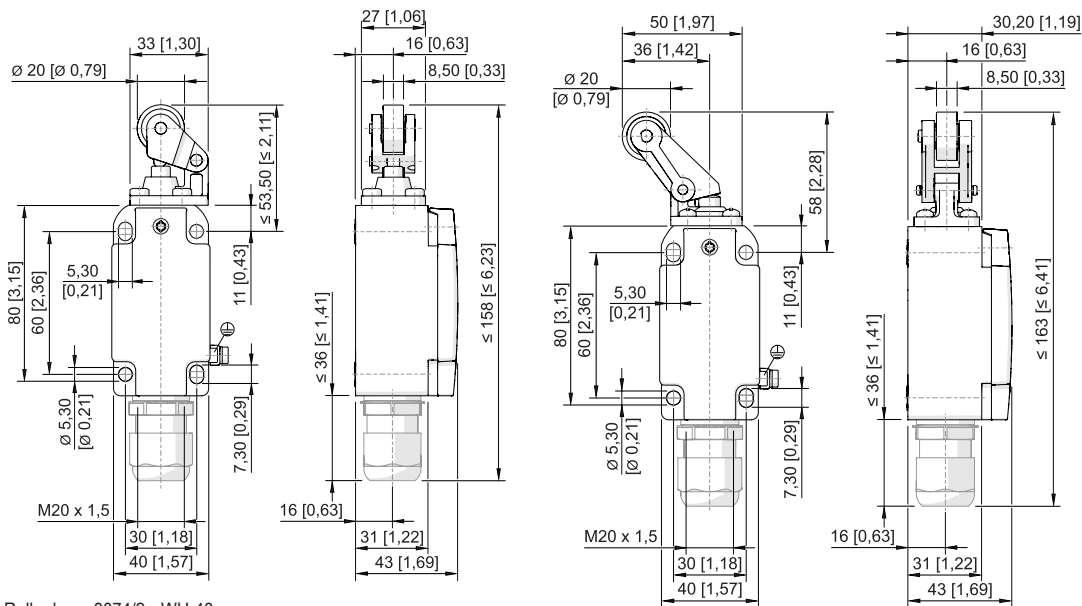


Roller plunger 8074/2--R-40



Domed plunger 8074/2--W-40

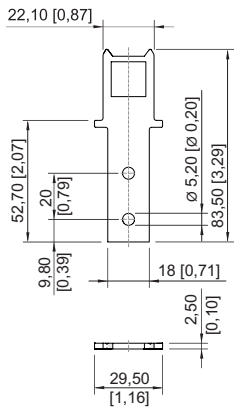
Belt-alignment switch 8074/2--SR-40



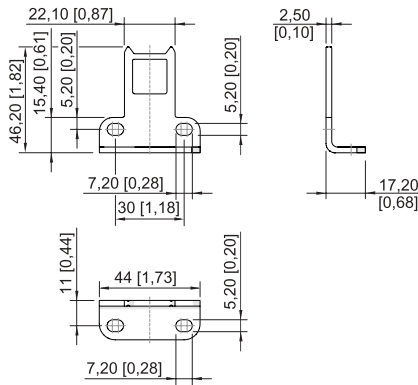
Roller lever 8074/2--WH-40

Roller lever 8074/2--WPH-40

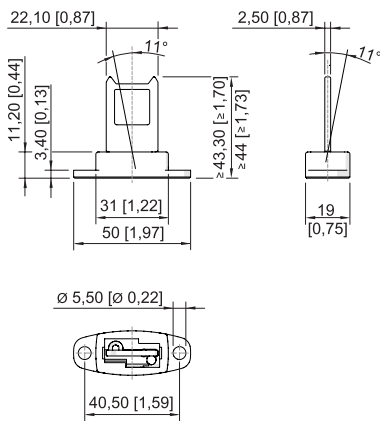
E4



Straight actuator for safety switch



Angled actuator for safety switch



Adjustable actuator for safety switch



- Operating temperature range: -60 °C to +60 °C
- Plastic Ex e enclosure
- Degree of protection IP66/67
- Five different contact versions
- 10 different actuator versions

WebCode **8060B**



Plastic position switch; switch dimensions meet the requirements of DIN EN 50047. It is designed to detect the position of moving components. Certified versions fulfil the requirements for safety switches as set out in EN 13849-1 and have positive-opening contacts in accordance with EN 60947-5-1.

	ATEX / IECEx					
Zone	0	1	2	20	21	22
Installation in		•	•		•	•


E4

Selection Table								
Actuator: Adjustable rocking lever								
Figure	Contacts	Switching function	Rated operational voltage (equal potential)	Rated operational voltage DC	Product Type	Art. No.	PS	Weight kg
	1 NC + 1 NO	Slow-action contact	500 V	125 V	8060/2-1-DS-60	254890	11	0.130
	1 NC + 1 NO	Slow-action contact, overlapping	500 V	125 V	8060/2-5-DS-60	254896	11	0.130
	1 NC + 1 NO	Snap-action contact	500 V	125 V	8060/2-2-DS-60	254899	11	0.130
	2 NC	Slow-action contact	400 V	125 V	8060/2-3-DS-60	254893	11	0.130
Actuator: Parallel roller lever								
Figure	Contacts	Switching function	Rated operational voltage (equal potential)	Rated operational voltage DC	Product Type	Art. No.	PS	Weight kg
	1 NC + 1 NO	Slow-action contact	500 V	125 V	8060/2-1-WPH-60	254885	11	0.102
	1 NC + 1 NO	Slow-action contact, overlapping	500 V	125 V	8060/2-5-WPH-60	254887	11	0.102
	1 NC + 1 NO	Snap-action contact	500 V	125 V	8060/2-2-WPH-60	254888	11	0.102
	2 NC	Slow-action contact	400 V	125 V	8060/2-3-WPH-60	254886	11	0.102

Selection Table								
Actuator:		Plunger						
Figure	Contacts	Switching function	Rated operational voltage (equal potential)	Rated operational voltage DC	Product Type	Art. No.	PS	Weight kg
	1 NC + 1 NO	Slow-action contact	500 V	125 V	8060/2-1-W-60	254793	11	0.096
	1 NC + 1 NO	Slow-action contact, overlapping	500 V	125 V	8060/2-5-W-60	254797	11	0.096
	1 NC + 1 NO	Snap-action contact	500 V	125 V	8060/2-2-W-60	254799	11	0.096
	2 NC	Slow-action contact	400 V	125 V	8060/2-3-W-60	254795	11	0.096
Actuator:		Rocking lever						
Figure	Contacts	Switching function	Rated operational voltage (equal potential)	Rated operational voltage DC	Product Type	Art. No.	PS	Weight kg
	1 NC + 1 NO	Slow-action contact	500 V	125 V	8060/2-1-D-60	254889	11	0.115
	1 NC + 1 NO	Slow-action contact, overlapping	500 V	125 V	8060/2-5-D-60	254895	11	0.115
	1 NC + 1 NO	Snap-action contact	500 V	125 V	8060/2-2-D-60	254898	11	0.115
	2 NC	Slow-action contact	400 V	125 V	8060/2-3-D-60	254892	11	0.115
Actuator:		Rod lever						
Figure	Contacts	Switching function	Rated operational voltage (equal potential)	Rated operational voltage DC	Product Type	Art. No.	PS	Weight kg
	1 NC + 1 NO	Slow-action contact	500 V	125 V	8060/2-1-DD-60	254891	11	0.133
	1 NC + 1 NO	Slow-action contact, overlapping	500 V	125 V	8060/2-5-DD-60	254897	11	0.133
	1 NC + 1 NO	Snap-action contact	500 V	125 V	8060/2-2-DD-60	254900	11	0.133
	2 NC	Slow-action contact	400 V	125 V	8060/2-3-DD-60	254894	11	0.133
Actuator:		Roller lever						
Figure	Contacts	Switching function	Rated operational voltage (equal potential)	Rated operational voltage DC	Product Type	Art. No.	PS	Weight kg
	1 NC + 1 NO	Slow-action contact	500 V	125 V	8060/2-1-WH-60	254881	11	0.101
	1 NC + 1 NO	Slow-action contact, overlapping	500 V	125 V	8060/2-5-WH-60	254883	11	0.101
	1 NC + 1 NO	Snap-action contact	500 V	125 V	8060/2-2-WH-60	254884	11	0.101
	2 NC	Slow-action contact	400 V	125 V	8060/2-3-WH-60	254882	11	0.101
Actuator:		Roller plunger						
Figure	Contacts	Switching function	Rated operational voltage (equal potential)	Rated operational voltage DC	Product Type	Art. No.	PS	Weight kg
	1 NC + 1 NO	Slow-action contact	500 V	125 V	8060/2-1-R-60	254794	11	0.100
	1 NC + 1 NO	Slow-action contact, overlapping	500 V	125 V	8060/2-5-R-60	254798	11	0.100
	1 NC + 1 NO	Snap-action contact	500 V	125 V	8060/2-2-R-60	254800	11	0.100
	2 NC	Slow-action contact	400 V	125 V	8060/2-3-R-60	254796	11	0.100
Actuator:		Safety switch						
Figure	Contacts	Switching function	Rated operational voltage (equal potential)	Rated operational voltage DC	Product Type	Art. No.	PS	Weight kg
	1 NC + 1 NO	Slow-action contact	500 V	125 V	8060/2-1-AZ-60	254902	11	0.127
	2 NC	Slow-action contact	500 V	250 V	8060/2-3-AZ-60	257239	11	0.127

E4

### Selection Table

Actuator:		Spring rod head						
Figure	Contacts	Switching function	Rated operational voltage (equal potential)	Rated operational voltage DC	Product Type	Art. No.	PS	Weight kg
	1 NC + 1 NO	Snap-action contact	500 V	125 V	8060/2-2-TK-60	254901	11	0.122

The actuators enclosed are not mounted.

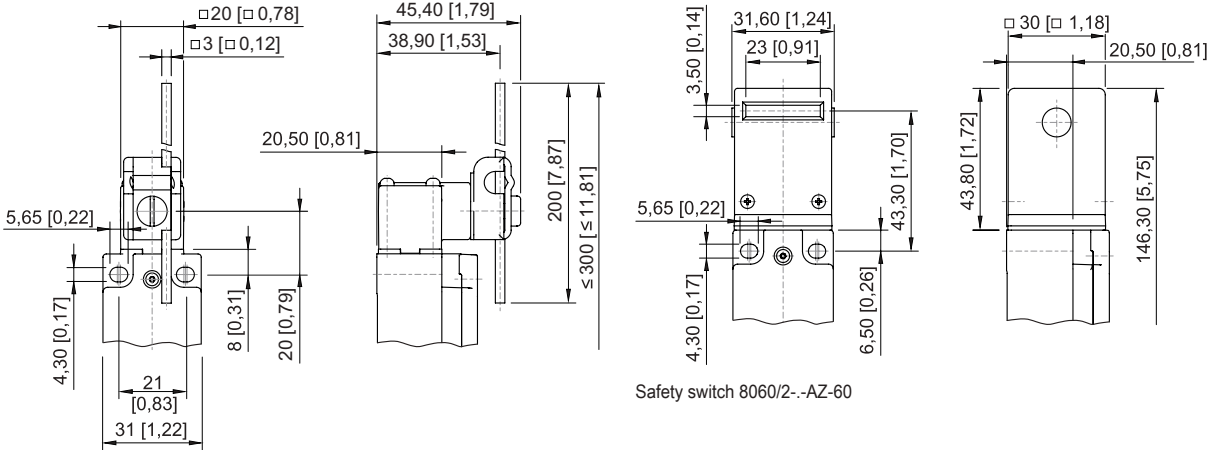
Safety switch, separate actuator made of metal (please order separately; see spare parts and accessories)

### Technical Data

<b>Explosion Protection</b>	
Certificate IECEX Gas	IECEX BVS 16.0066
Certificate ATEX Gas	BVS 16 ATEX E 100
Certificate IECEX Dust	IECEX BVS 16.0066
Certificate ATEX Dust	BVS 16 ATEX E 100
Gas explosion protection IECEX	Ex db eb IIC T6 Gb
Gas explosion protection ATEX	Ⓔ II 2 G Ex db eb IIC T6 Gb
Dust explosion protection IECEX	Ex tb IIIC T80 °C Db
Dust explosion protection ATEX	Ⓔ II 2 D Ex tb IIIC T80 °C Db
Certificates	ATEX (BVS), Canada / USA (CSA), EAC (CCVE), IECEX (BVS), India (PESO)
<b>Electrical Data</b>	
Rated operational voltage (unequal potential)	250 V
Rated operational current	2 A
Rated operational current note	at 2 A: -60 °C < Ta < +60 °C (at 4 A: -60 °C < Ta < +55 °C)
Electric service life	max. 10 <sup>6</sup> operating cycles
Mechanical service life	max. 10 <sup>6</sup> operating cycles
Rated impulse w. stand voltage	6 kV
Max. short-circuit protection	10 A
Maximum switching frequency	1800 switching cycles/h
<b>Ambient Conditions</b>	
Ambient temperature	-60 °C ... +55 °C -20 °C ... +60 °C (IP67 (EN 60529))
<b>Mechanical Data</b>	
Type of protection (IP)	IP66
Type of protec. IP (IEC 60529)	IP67
Type of protection (IEC 60529) note	-20 °C
Enclosure material	thermoplast GFR, imp.resistant
Cover material	thermoset GFR, imp. resistant
Contact material	silver-nickel
Connection cross-section fine.	0.75 – 1.5 mm <sup>2</sup>
Connection cross-section solid	0.75 – 1.5 mm <sup>2</sup>
Contact system	2-pole, galvanically separated with double break
Contact opening	≥ 1.5 mm (isolating distance ≥ 3 mm)
Seal	Silicone
Notes	Type 8060/2--DD-60 (rod lever), 8060/2--DS-60 (adjustable rocking lever) and 8060/2-2-TK-60 (spring rod head): No positive opening operation, not suitable for safety circuits!
<b>Components</b>	
Cable entry	1 x M20 Ø 7 – 13 mm
Material of cable entry	Plastic black

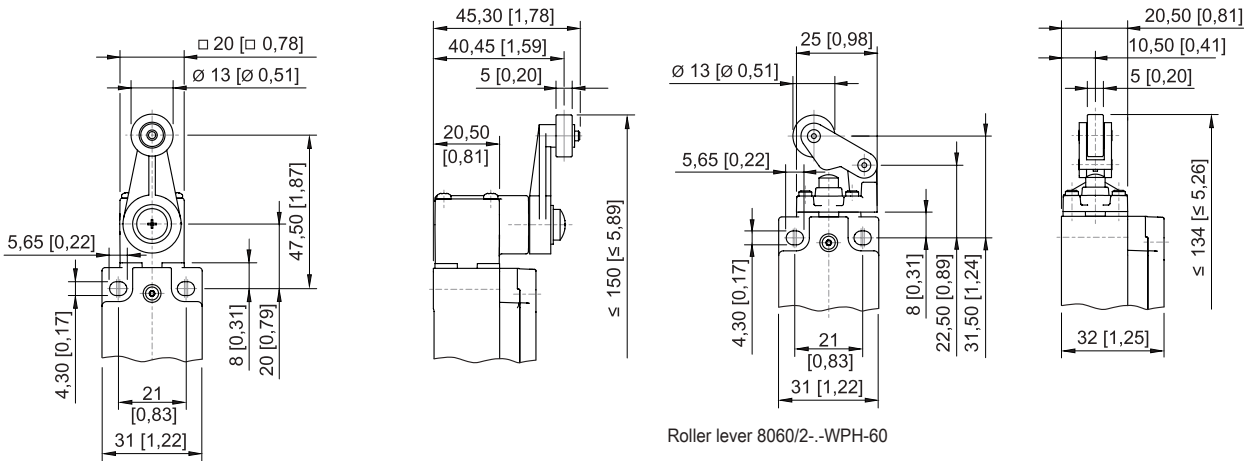
Accessories and spare parts on the Internet [r-stahl.com](http://r-stahl.com)

**Dimensional Drawings (All Dimensions in mm [inches]) – Subject to Alterations**



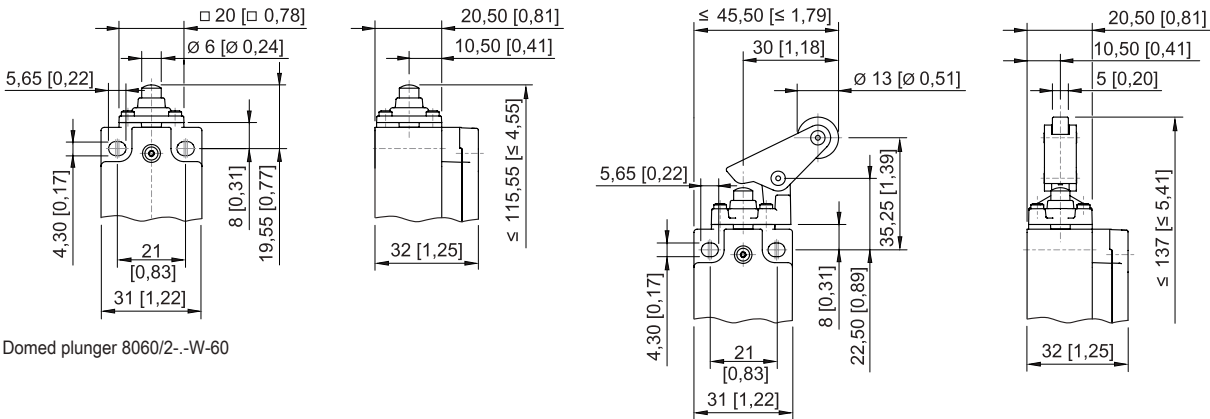
Safety switch 8060/2--AZ-60

Rod lever 8060/2--DD-60



Roller lever 8060/2--WPH-60

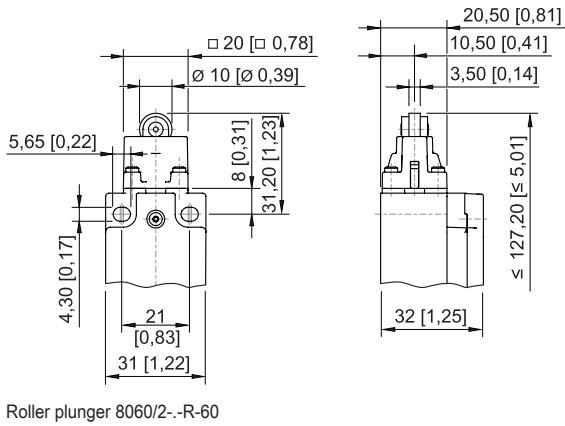
Swivelling lever 8060/2--D-60



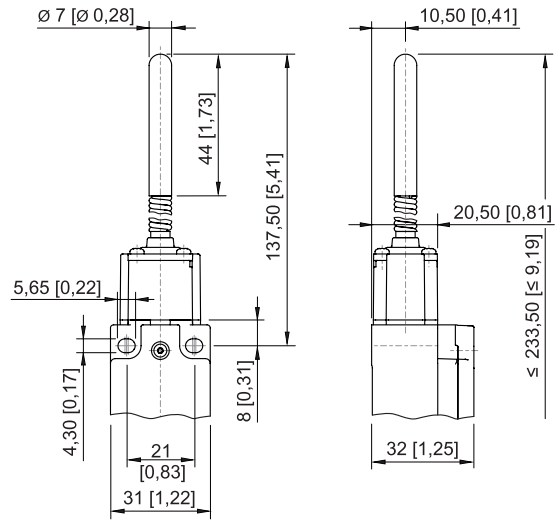
Roller lever 8060/2--WH-60

Domed plunger 8060/2--W-60

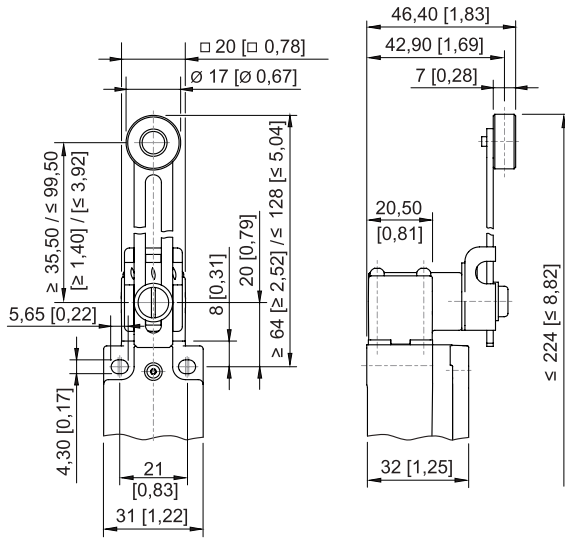
E4



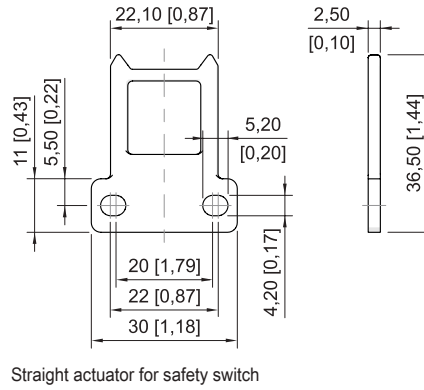
Roller plunger 8060/2--R-60



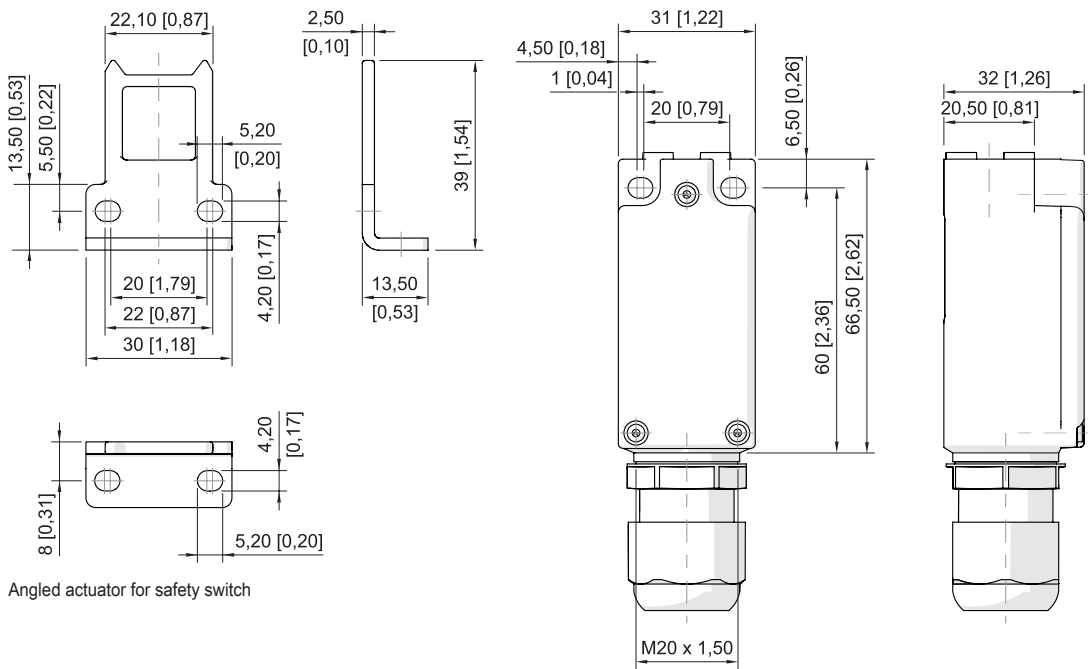
Roller plunger 8060/2--R-60



Swivelling lever 8060/2--DS-60



Straight actuator for safety switch





- Operating temperature range: -60 °C to +60 °C
- Large inner connection chamber
- Plastic Ex e enclosure
- Degree of protection IP66/67
- Five different contact versions
- Nine different actuator versions

WebCode **8070C**


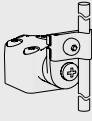


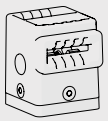



Plastic Position switch; switch dimensions meet the requirements of DIN EN 50041. It is designed to detect the position of moving components. Certified versions fulfil the requirements for safety switches as set out in EN 13849-1 and have positive-opening contacts in accordance with EN 60947-5-1.

	ATEX / IECEx					
Zone	0	1	2	20	21	22
Installation in		•	•		•	•

E4

Selection Table							
Actuator:		Adjustable rocking lever					
Figure	Contacts	Switching function	Rated operational voltage (equal potential)	Product Type	Art. No.	PS	Weight kg
	1 NC + 1 NO	Slow-action contact	500 V	8070/2-1-DS-U60	258224	11	0.256
	1 NC + 1 NO	Snap-action contact	500 V	8070/2-2-DS-U60	258232	11	0.256
	2 NC	Slow-action contact	400 V	8070/2-3-DS-U60	258239	11	0.256
Actuator:		Parallel roller lever					
Figure	Contacts	Switching function	Rated operational voltage (equal potential)	Product Type	Art. No.	PS	Weight kg
	1 NC + 1 NO	Slow-action contact	500 V	8070/2-1-WPH-U60	258222	11	0.170
	1 NC + 1 NO	Snap-action contact	500 V	8070/2-2-WPH-U60	258230	11	0.170
Actuator:		Plunger					
Figure	Contacts	Switching function	Rated operational voltage (equal potential)	Product Type	Art. No.	PS	Weight kg
	1 NC + 1 NO	Slow-action contact	500 V	8070/2-1-W-U60	258219	11	0.167
	1 NC + 1 NO	Slow-action contact, overlapping	500 V	8070/2-5-W-U60	258243	11	0.167
	1 NC + 1 NO	Snap-action contact	500 V	8070/2-2-W-U60	258227	11	0.167
	2 NC	Slow-action contact	400 V	8070/2-3-W-U60	258235	11	0.167

Selection Table							
Actuator:		Rocking lever					
Figure	Contacts	Switching function	Rated operational voltage (equal potential)	Product Type	Art. No.	PS	Weight kg
	1 NC + 1 NO	Slow-action contact	500 V	8070/2-1-D-U60	258223	11	0.234
	1 NC + 1 NO	Snap-action contact	500 V	8070/2-2-D-U60	258231	11	0.234
	2 NC	Slow-action contact	400 V	8070/2-3-D-U60	258238	11	0.234
	2 NO	Slow-action contact	400 V	8070/2-4-D-U60	258242	11	0.234
Actuator:		Rod lever					
Figure	Contacts	Switching function	Rated operational voltage (equal potential)	Product Type	Art. No.	PS	Weight kg
	1 NC + 1 NO	Slow-action contact	500 V	8070/2-1-DD-U60	258225	11	0.242
	1 NC + 1 NO	Slow-action contact, overlapping	500 V	8070/2-5-DD-U60	258244	11	0.242
	1 NC + 1 NO	Snap-action contact	500 V	8070/2-2-DD-U60	258233	11	0.242
	2 NC	Slow-action contact	400 V	8070/2-3-DD-U60	258240	11	0.242
Actuator:		Roller lever					
Figure	Contacts	Switching function	Rated operational voltage (equal potential)	Product Type	Art. No.	PS	Weight kg
	1 NC + 1 NO	Slow-action contact	500 V	8070/2-1-WH-U60	258221	11	0.168
	1 NC + 1 NO	Snap-action contact	500 V	8070/2-2-WH-U60	258229	11	0.168
	2 NC	Slow-action contact	400 V	8070/2-3-WH-U60	258237	11	0.168
Actuator:		Roller plunger					
Figure	Contacts	Switching function	Rated operational voltage (equal potential)	Product Type	Art. No.	PS	Weight kg
	1 NC + 1 NO	Slow-action contact	500 V	8070/2-1-R-U60	258220	11	0.168
	1 NC + 1 NO	Snap-action contact	500 V	8070/2-2-R-U60	258228	11	0.168
	2 NC	Slow-action contact	400 V	8070/2-3-R-U60	258236	11	0.168
Actuator:		Safety switch					
Figure	Contacts	Switching function	Rated operational voltage (equal potential)	Product Type	Art. No.	PS	Weight kg
	1 NC + 1 NO	Slow-action contact	500 V	8070/2-1-AZ-U50	258226	11	0.194
	2 NC	Slow-action contact	400 V	8070/2-3-AZ-U50	258241	11	0.194
Actuator:		Spring rod head					
Figure	Contacts	Switching function	Rated operational voltage (equal potential)	Product Type	Art. No.	PS	Weight kg
	1 NC + 1 NO	Snap-action contact	500 V	8070/2-2-TK-U60	258234	11	0.204

The actuators enclosed are not mounted.

Safety switch, separate actuator made of metal (please order separately; see spare parts and accessories)

### Technical Data

#### Explosion Protection

Certificate IECEx Gas	IECEX BVS 17.0011X
Certificate ATEX Gas	BVS 17 ATEX E 021X
Certificate IECEx Dust	IECEX BVS 17.0011X
Certificate ATEX Dust	BVS 17 ATEX E 021X
Gas explosion protection IECEx	Ex db eb IIC T6 Gb
Gas explosion protection ATEX	Ⓜ II 2 G Ex db eb IIC T6 Gb
Dust explosion protection IECEx	Ex tb IIIC T80 °C Db
Dust explosion protection ATEX	Ⓜ II 2 D Ex tb IIIC T80 °C Db
Certificates	ATEX (BVS), Canada / USA (CSA), EAC (CCVE), IECEx (BVS), India (PESO)

#### Electrical Data

Rated operational voltage DC	250 V
Rated operational voltage (unequal potential)	250 V
Rated operational current	2 A
Rated operational current note	at 2 A: -60 °C < Ta < +60 °C (at 4 A: -60 °C < Ta < +55 °C)
Electric service life	max. 10 <sup>9</sup> operating cycles
Mechanical service life	max. 10 <sup>9</sup> operating cycles
Rated impulse w. stand voltage	6 kV
Max. short-circuit protection	6 A
Maximum switching frequency	1800 switching cycles/h

#### Mechanical Data

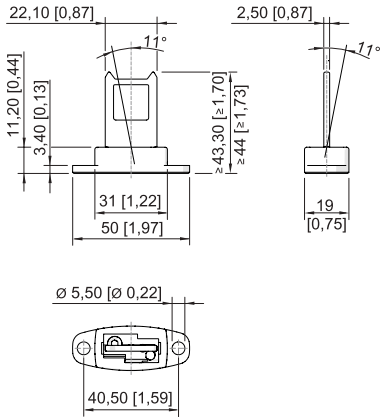
Type of protection (IP)	IP66
Type of protec. IP (IEC 60529)	IP67
Type of protection (IEC 60529) note	-20 °C
Enclosure material	thermoplast GFR, imp.resistant
Cover material	thermoset GFR, imp. resistant
Contact material	silver-nickel
Connection cross-section fine.	0.75 – 1.5 mm <sup>2</sup>
Connection cross-section solid	0.75 – 1.5 mm <sup>2</sup>
Contact system	2-pole, galvanically separated with double break
Contact opening	≥ 1.5 mm (isolating distance ≥ 3 mm)
Seal	Silicone
Notes	Type 8070/2-.-DD-U60 (rod lever), 8070/2-.-DS-U60 (adjustable rocking lever) and 8070/2-2-TK-U60 (spring rod head): No positive opening operation, not suitable for safety circuits!

#### Components

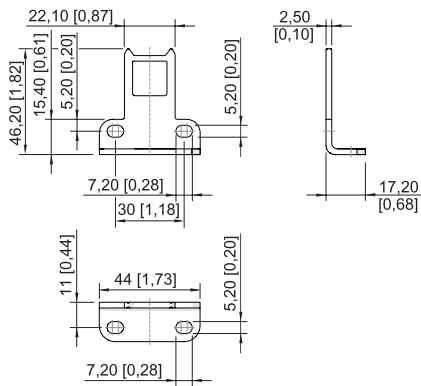
Cable entry	1 x M20 Ø 7 – 13 mm
Material of cable entry	polyamide black

Accessories and spare parts on the Internet [r-stahl.com](http://r-stahl.com)

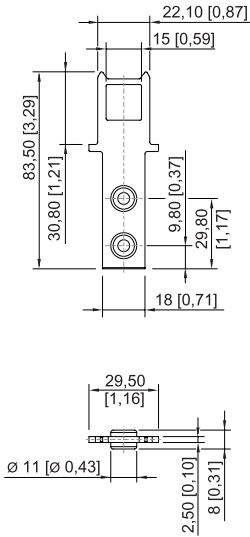
**Dimensional Drawings (All Dimensions in mm [inches]) – Subject to Alterations**



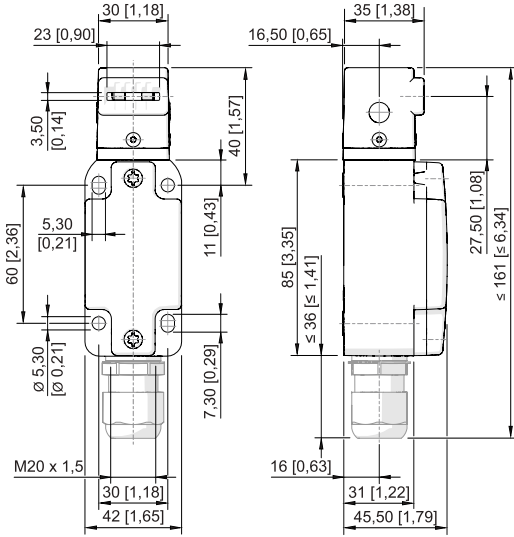
Adjustable actuator for safety switch



Angled actuator for safety switch

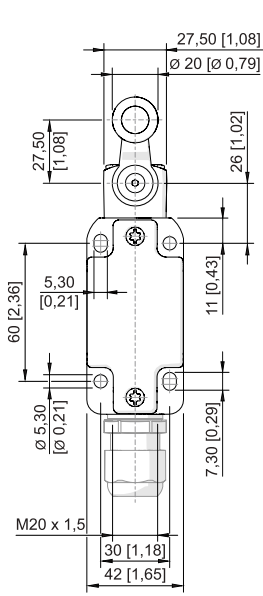


Straight actuator for safety switch

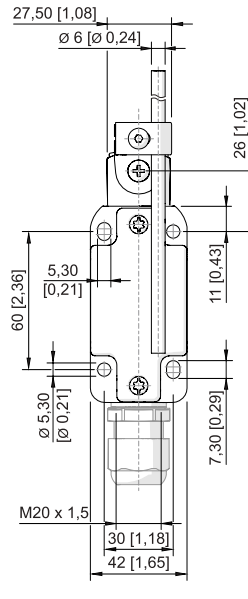
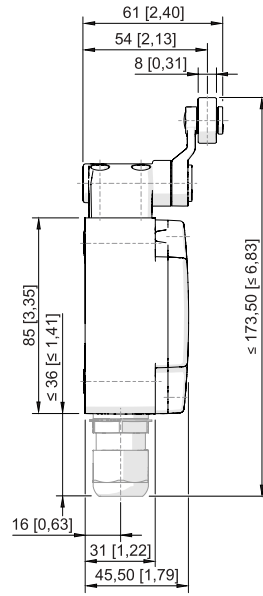


Safety switch 8070/2--AZ-U50

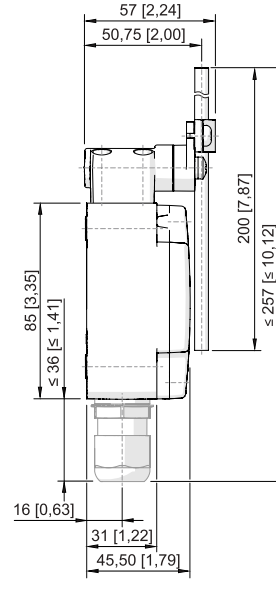
E4



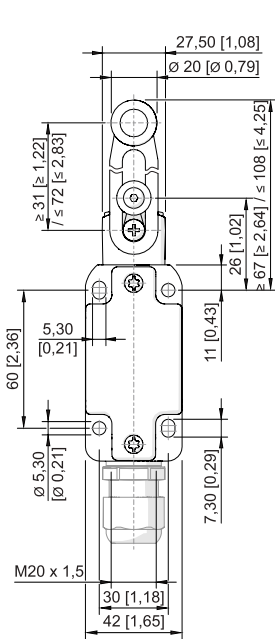
Swivelling lever 8070/2--D-U60



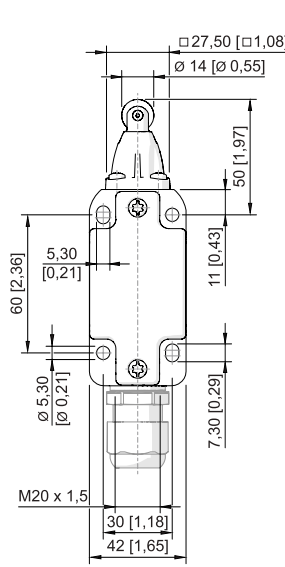
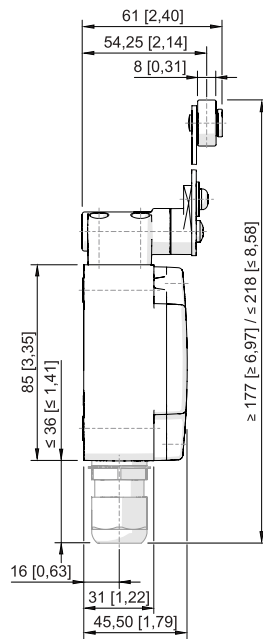
Rod lever 8070/2--DD-U60



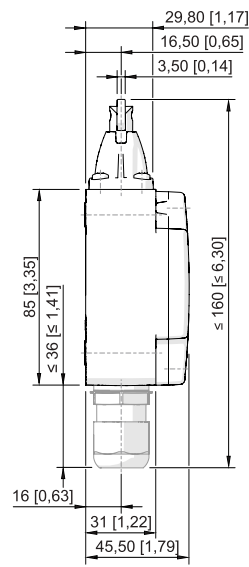
E4

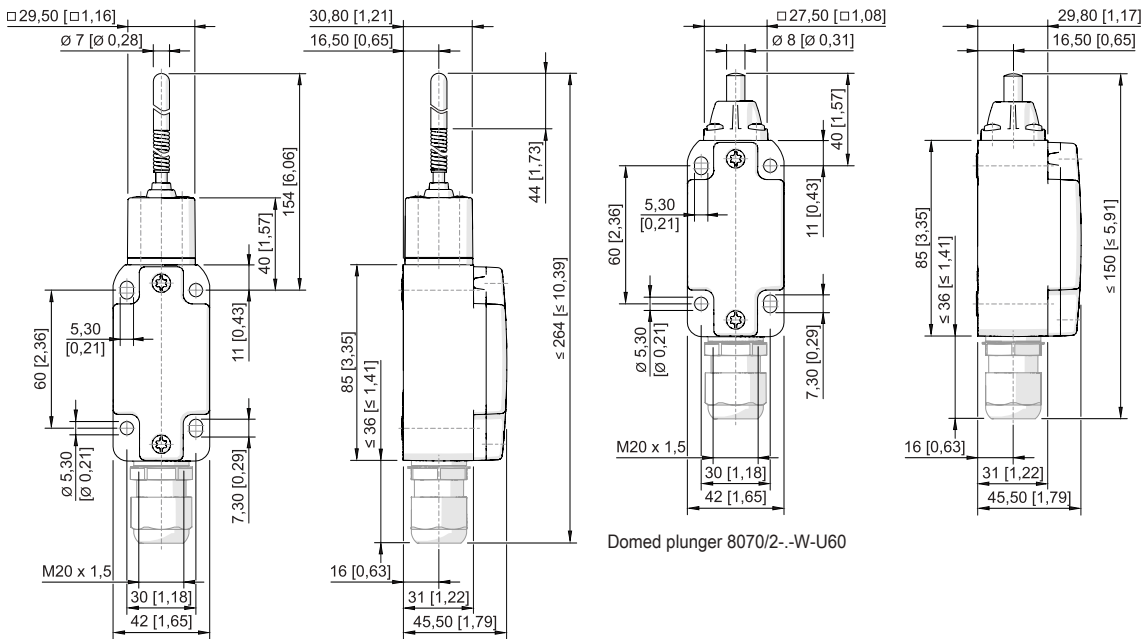


Swivelling lever 8070/2--DS-U60



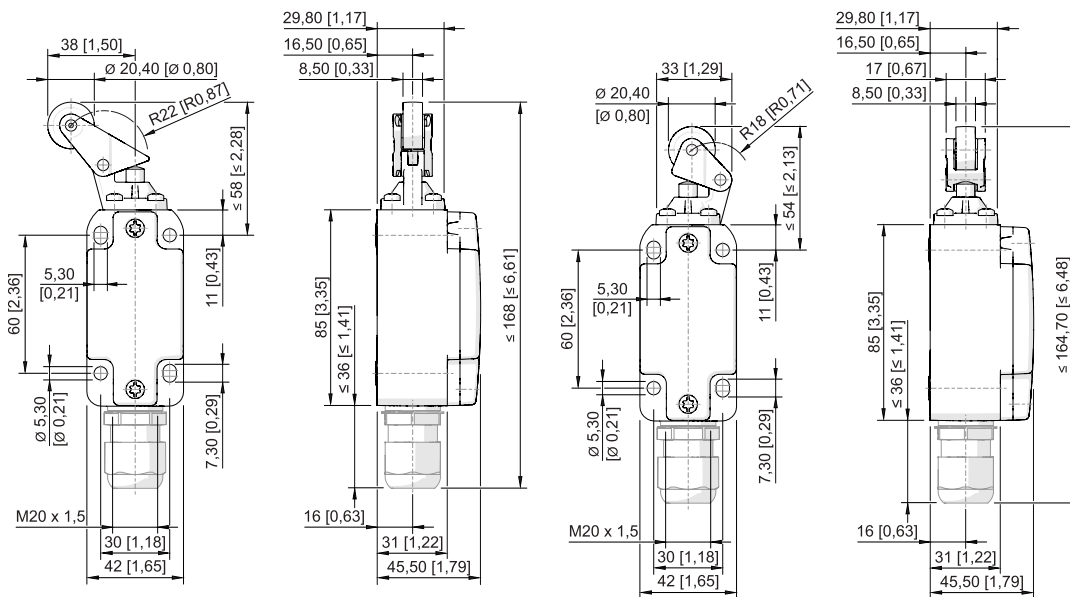
Roller plunger 8070/2--R-U60





Domed plunger 8070/2--W-U60

Roller plunger 8070/2--R-U60



Roller lever 8070/2--WH-U60

Roller lever 8070/2--WPH-U60

E4



- Flexible configuration due to pushbutton, mushroom pushbutton, mushroom stay-put button, mushroom stay-put button with key lock, key-operated button, key-operated switch
- Easy assembly thanks to single-hole mounting (D 30)
- Codable "latching", "spring return", "key not removable" functions
- Spring clamp terminals with connection chamber

WebCode **8003A**



R. STAHL Series 8003 control buttons and/or switches for panel mounting switch load, control and signal circuits up to 6 A. Depending on the type, they are complete or incomplete explosion-protected equipment with corresponding requirements for installation. As an option, various actuators are available.

Zone	ATEX / IECEx					
	0	1	2	20	21	22
Installation in		•	•		•	•

Zone	NEC 505			NEC 506		
	Class I	Class II	Class III	Class I	Class II	Class III
Installation in		•	•			

Division	NEC 500					
	Class I		Class II		Class III	
Installation in		•		•		







E4

Selection Table									
Actuator: Key-operated switch actuator with key release									
Figure	Number of switching positions	Number of NC	Number of NO	Ambient temperature	Silicone-free	Product Type	Art. No.	PS	Weight kg
	2	1	1	-20 °C ... +60 °C	Yes	8003/111-008-2-r-MS1	127240 ▲	11	0.230
	2	2	-	-20 °C ... +60 °C	Yes	8003/121-008-2-r-MS1	127242 ▲	11	0.300
	2	-	2	-20 °C ... +60 °C	Yes	8003/131-008-2-r-MS1	127244 ▲	11	0.220
	3	1	1	-20 °C ... +60 °C	Yes	8003/111-008-3-rr-MS1	213498	11	0.125
	3	1	1	-20 °C ... +60 °C	Yes	8003/141-008-3-rr-MS1	218565	11	0.125
	3	2	-	-20 °C ... +60 °C	Yes	8003/121-008-3-rr-MS1	218564	11	0.125
	3	-	2	-20 °C ... +60 °C	Yes	8003/131-008-3-rr-MS1	213533 ▲	11	0.125
Actuator: Mushroom push button									
Figure	Number of switching positions	Number of NC	Number of NO	Ambient temperature	Silicone-free	Product Type	Art. No.	PS	Weight kg
	-	1	1	-20 °C ... +60 °C	Yes	8003/111-003	127183 ▲	11	0.140
	-	2	-	-20 °C ... +60 °C	Yes	8003/121-003	127187	11	0.140
	-	-	2	-20 °C ... +60 °C	Yes	8003/131-003	127192	11	0.140

# Control Buttons / Switches for Panel Mounting

## Series 8003 Spring Clamp Terminals with Connection Chamber

STAHL

Selection Table									
Actuator: Mushroom stay-put button									
Figure	Number of switching positions	Number of NC	Number of NO	Ambient temperature	Silicone-free	Product Type	Art. No.	PS	Weight kg
	-	1	1	-55 °C ... +60 °C	-	8003/111-012S	257236	11	0.125
	-	2	-	-55 °C ... +60 °C	-	8003/121-012S	257237	11	0.125
	-	-	2	-55 °C ... +60 °C	-	8003/131-012S	257238	11	0.125
Actuator: Mushroom stay-put button EM-STOP									
Figure	Number of switching positions	Number of NC	Number of NO	Ambient temperature	Silicone-free	Product Type	Art. No.	PS	Weight kg
	-	1	1	-55 °C ... +60 °C	No	8003/111-010S	217915	11	0.125
	-	2	-	-55 °C ... +60 °C	No	8003/121-010S	217916	11	0.125
	-	-	2	-55 °C ... +60 °C	No	8003/131-010S	217917	11	0.125
Actuator: Mushroom stay-put button EM-STOP, 55 mm									
Figure	Number of switching positions	Number of NC	Number of NO	Ambient temperature	Silicone-free	Product Type	Art. No.	PS	Weight kg
	-	1	1	-55 °C ... +60 °C	No	8003/111-015S	217918	11	0.145
	-	2	-	-55 °C ... +60 °C	No	8003/121-015S	217919	11	0.145
	-	-	2	-55 °C ... +60 °C	No	8003/131-015S	217920	11	0.145
Actuator: Mushroom stay-put button with key release EM-STOP									
Figure	Number of switching positions	Number of NC	Number of NO	Ambient temperature	Silicone-free	Product Type	Art. No.	PS	Weight kg
	-	1	1	-55 °C ... +60 °C	No	8003/111-009S-MS1	217911	11	0.140
	-	2	-	-55 °C ... +60 °C	No	8003/121-009S-MS1	217912	11	0.125
	-	-	2	-55 °C ... +60 °C	No	8003/131-009S-MS1	217913	11	0.125
Actuator: Pushbutton									
Figure	Number of switching positions	Number of NC	Number of NO	Ambient temperature	Silicone-free	Product Type	Art. No.	PS	Weight kg
	-	1	1	-20 °C ... +60 °C	Yes	8003/111-001	126993▲	11	0.140
	-	1	1	-55 °C ... +60 °C	No	8003/111-001S	217834	11	0.140
	-	2	-	-20 °C ... +60 °C	Yes	8003/121-001	127048▲	11	0.140
	-	2	-	-55 °C ... +60 °C	No	8003/121-001S	217837	11	0.140
	-	-	2	-20 °C ... +60 °C	Yes	8003/131-001	127125▲	11	0.140
	-	-	2	-55 °C ... +60 °C	No	8003/131-001S	217839	11	0.140
	Actuator: Rotary handle, small lockable								
Figure	Number of switching positions	Number of NC	Number of NO	Ambient temperature	Silicone-free	Product Type	Art. No.	PS	Weight kg
	2	1	1	-20 °C ... +60 °C	Yes	8003/111-727-2-r	218567	11	0.125
	2	2	-	-20 °C ... +60 °C	Yes	8003/121-727-2-r	218568	11	0.125
	2	-	2	-20 °C ... +60 °C	Yes	8003/131-727-2-r	213538▲	11	0.125
	3	1	1	-20 °C ... +60 °C	Yes	8003/111-727-3-rr	218569	11	0.125
	3	1	1	-20 °C ... +60 °C	Yes	8003/141-727-3-rr	218571	11	0.125
	3	2	-	-20 °C ... +60 °C	Yes	8003/121-727-3-rr	218570	11	0.125
	3	-	2	-20 °C ... +60 °C	Yes	8003/131-727-3-rr	213539▲	11	0.125

E4

### Selection Table

Actuator: Rotary handle, small not lockable									
Figure	Number of switching positions	Number of NC	Number of NO	Ambient temperature	Silicone-free	Product Type	Art. No.	PS	Weight kg
	2	1	1	-20 °C ... +60 °C	Yes	8003/111-726-2-r	213500 ▲	11	0.125
	2	2	-	-20 °C ... +60 °C	Yes	8003/121-726-2-r	213527	11	0.125
	2	-	2	-20 °C ... +60 °C	Yes	8003/131-726-2-r	213534 ▲	11	0.125
	3	1	1	-20 °C ... +60 °C	Yes	8003/111-726-3-rr	213511 ▲	11	0.125
	3	2	-	-20 °C ... +60 °C	Yes	8003/121-726-3-rr	218566	11	0.125
	3	-	2	-20 °C ... +60 °C	Yes	8003/131-726-3-rr	213535 ▲	11	0.125

- yellow label for EM-STOP function is enclosed
- plates must be ordered separately; see accessories
- key-operated switch with "spring-return" and/or "key not removable" on request
- versions with other locking cylinders on request
- key switches type 8003/1...-008- and control switches type 8003/1...-726-3 are codable ("latching", "spring-return", "key removable")

### Technical Data

<b>Explosion Protection</b>	
Certificate IECEx Gas	IECEX PTB 06.0065X
Certificate ATEX Gas	PTB 02 ATEX 1057 X
Certificate IECEx Dust	IECEX PTB 06.0065X
Certificate ATEX Dust	PTB 02 ATEX 1057 X
Gas explosion protection IECEx	Ex db eb IIC T6 Gb
Gas explosion protection ATEX	Ⓔ II 2 G Ex db eb IIC T6 Gb
Dust explosion protection IECEx	Ex tb IIIC T80 °C Db
Dust explosion protection ATEX	Ⓔ II 2 D Ex tb IIIC T80 °C Db
Certificates	ATEX (PTB), Canada / USA (UL), China (CQST), EAC (STV), IECEx (PTB), India (PESO), Korea (KGS)
<b>Electrical Data</b>	
Rated operational voltage AC	500 V
Rated operational current	6 A
<b>Mechanical Data</b>	
Housing protect.type(IP) front	IP66
Housing protect.type (IP) back	IP65
Contact material	silver-nickel
Min. conductor cross-section	0.75 mm <sup>2</sup>
Max. conductor cross-section	1.5 mm <sup>2</sup>
<b>Components</b>	
Cable entry	1 x M16 x 1.5
Type of entry	Standard 8161 moulded material

Accessories and spare parts see page 775

Dimensional Drawings see page 767



- Flexible configuration due to pushbutton, mushroom pushbutton, mushroom stay-put button, mushroom stay-put button with key lock, key-operated button, key-operated switch
- Easy assembly thanks to single-hole mounting (D 30)
- Codable "latching", "spring return", "key not removable" functions
- Spring clamp terminals without connection chamber
- For installation in Ex e enclosures

WebCode **8003C**

R. STAHL Series 8003 control buttons and/or switches for panel mounting switch load, control and signal circuits up to 6 A. Depending on the type, they are complete or incomplete explosion-protected equipment with corresponding requirements for installation. As an option, various actuators are available.

Zone	ATEX / IECEx					
	0	1	2	20	21	22
Installation in		•	•		•	•

Zone	NEC 505			NEC 506		
	Class I					
Zone	0	1	2	20	21	22
Installation in		•	•			

Division	NEC 500					
	Class I		Class II		Class III	
Division	1	2	1	2	1	2
Installation in		•		•		

Selection Table									
Actuator: Key-operated switch actuator with key release									
Figure	Number of switching positions	Number of NC	Number of NO	Ambient temperature	Silicone-free	Product Type	Art. No.	PS	Weight kg
	2	1	1	-20 °C ... +60 °C	Yes	8003/112-008-2-r-MS1	218572 ▲	11	0.230
	2	2	-	-20 °C ... +60 °C	Yes	8003/122-008-2-r-MS1	218573	11	0.230
	2	-	2	-20 °C ... +60 °C	Yes	8003/132-008-2-r-MS1	218574	11	0.230
	3	1	1	-20 °C ... +60 °C	Yes	8003/112-008-3-rr-MS1	218575	11	0.125
	3	1	1	-20 °C ... +60 °C	Yes	8003/142-008-3-rr-MS1	218578	11	0.125
	3	2	-	-20 °C ... +60 °C	Yes	8003/122-008-3-rr-MS1	218576	11	0.125
	3	-	2	-20 °C ... +60 °C	Yes	8003/132-008-3-rr-MS1	218577	11	0.125
Actuator: Mushroom push button									
Figure	Number of switching positions	Number of NC	Number of NO	Ambient temperature	Silicone-free	Product Type	Art. No.	PS	Weight kg
	-	1	1	-20 °C ... +60 °C	Yes	8003/112-003	214295	11	0.125
	-	2	-	-20 °C ... +60 °C	Yes	8003/122-003	214297	11	0.125
	-	-	2	-20 °C ... +60 °C	Yes	8003/132-003	214299	11	0.125


E4

### Selection Table

Actuator: Mushroom stay-put button									
Figure	Number of switching positions	Number of NC	Number of NO	Ambient temperature	Silicone-free	Product Type	Art. No.	PS	Weight kg
	-	1	1	-20 °C ... +60 °C	Yes	8003/112-012	214294	11	0.125
	-	2	-	-20 °C ... +60 °C	Yes	8003/122-012	214296	11	0.125
	-	-	2	-20 °C ... +60 °C	Yes	8003/132-012	214298	11	0.125
Actuator: Mushroom stay-put button EM-STOP									
Figure	Number of switching positions	Number of NC	Number of NO	Ambient temperature	Silicone-free	Product Type	Art. No.	PS	Weight kg
	-	1	1	-55 °C ... +60 °C	No	8003/112-010S	217934	11	0.125
	-	2	-	-55 °C ... +60 °C	No	8003/122-010S	217935	11	0.125
	-	-	2	-55 °C ... +60 °C	No	8003/132-010S	217936	11	0.125
Actuator: Mushroom stay-put button EM-STOP, 55 mm									
Figure	Number of switching positions	Number of NC	Number of NO	Ambient temperature	Silicone-free	Product Type	Art. No.	PS	Weight kg
	-	1	1	-55 °C ... +60 °C	No	8003/112-015S	217939 ▲	11	0.125
	-	2	-	-55 °C ... +60 °C	No	8003/122-015S	217940	11	0.125
	-	-	2	-55 °C ... +60 °C	No	8003/132-015S	217941	11	0.125
Actuator: Mushroom stay-put button with key release EM-STOP									
Figure	Number of switching positions	Number of NC	Number of NO	Ambient temperature	Silicone-free	Product Type	Art. No.	PS	Weight kg
	-	1	1	-55 °C ... +60 °C	No	8003/112-009S-MS1	217900	11	0.140
	-	2	-	-55 °C ... +60 °C	No	8003/122-009S-MS1	217931	11	0.140
	-	-	2	-55 °C ... +60 °C	No	8003/132-009S-MS1	217932	11	0.140
Actuator: Pushbutton									
Figure	Number of switching positions	Number of NC	Number of NO	Ambient temperature	Silicone-free	Product Type	Art. No.	PS	Weight kg
	-	1	1	-20 °C ... +60 °C	Yes	8003/112-001	126994 ▲	11	0.180
	-	1	1	-55 °C ... +60 °C	No	8003/112-001S	217921	11	0.180
	-	2	-	-20 °C ... +60 °C	Yes	8003/122-001	127007	11	0.208
	-	2	-	-55 °C ... +60 °C	No	8003/122-001S	217922	11	0.208
	-	-	2	-20 °C ... +60 °C	Yes	8003/132-001	127018	11	0.576
	-	-	2	-55 °C ... +60 °C	No	8003/132-001S	217923	11	0.576
	Actuator: Rotary handle, small lockable								
Figure	Number of switching positions	Number of NC	Number of NO	Ambient temperature	Silicone-free	Product Type	Art. No.	PS	Weight kg
	2	1	1	-20 °C ... +60 °C	Yes	8003/112-727-2-r	218586	11	0.125
	2	2	-	-20 °C ... +60 °C	Yes	8003/122-727-2-r	218587	11	0.125
	2	-	2	-20 °C ... +60 °C	Yes	8003/132-727-2-r	218588	11	0.125
	3	1	1	-20 °C ... +60 °C	Yes	8003/112-727-3-rr	218589	11	0.125
	3	1	1	-20 °C ... +60 °C	Yes	8003/142-727-3-rr	218602	11	0.125
	3	2	-	-20 °C ... +60 °C	Yes	8003/122-727-3-rr	218590	11	0.125
	3	-	2	-20 °C ... +60 °C	Yes	8003/132-727-3-rr	218601	11	0.125

E4

### Selection Table

Actuator: Rotary handle, small not lockable									
Figure	Number of switching positions	Number of NC	Number of NO	Ambient temperature	Silicone-free	Product Type	Art. No.	PS	Weight kg
	2	1	1	-20 °C ... +60 °C	Yes	8003/112-726-2-r	213513	11	0.125
	2	2	-	-20 °C ... +60 °C	Yes	8003/122-726-2-r	218579	11	0.125
	2	-	2	-20 °C ... +60 °C	Yes	8003/132-726-2-r	218581 ▲	11	0.125
	3	1	1	-20 °C ... +60 °C	Yes	8003/112-726-3-rr	218584	11	0.125
	3	2	-	-20 °C ... +60 °C	Yes	8003/122-726-3-rr	218585	11	0.125
	3	-	2	-20 °C ... +60 °C	Yes	8003/132-726-3-rr	200552	11	0.125

- yellow label for EM-STOP function is enclosed
- plates must be ordered separately; see accessories
- key-operated switch with "spring-return" and/or "key not removable" on request
- versions with other locking cylinders on request
- key switches type 8003/1...-008- and control switches type 8003/1...-726-3 are codable ("latching", "spring-return", "key removable")

### Technical Data

<b>Explosion Protection</b>	
Certificate IECEx Gas	IECEX PTB 06.0066U
Certificate ATEX Gas	PTB 02 ATEX 1080 U
Gas explosion protection IECEx	Ex db eb IIC Gb
Gas explosion protection ATEX	Ⓔ II 2 G Ex db eb IIC Gb
Certificates	ATEX (PTB), Canada / USA (UL), EAC (STV), IECEx (PTB), India (PESO)
<b>Electrical Data</b>	
Rated operational voltage AC	500 V
Rated operational current	6 A
<b>Mechanical Data</b>	
Housing protect.type(IP) front	IP66
Housing protect.type (IP) back	IP20
Contact material	silver-nickel
Min. conductor cross-section	0.5 mm <sup>2</sup>
Max. conductor cross-section	2.5 mm <sup>2</sup>

Accessories and spare parts see page 775

Dimensional Drawings see page 767

E4



- Flexible configuration due to pushbutton, mushroom pushbutton, mushroom stay-put button, mushroom stay-put button with key lock, key-operated button, key-operated switch
- Easy assembly thanks to single-hole mounting (D 30)
- Codable "latching", "spring return", "key not removable" functions
- Plug-in connection with 6 m connection line

WebCode **8003D**



R. STAHL Series 8003 control buttons and/or switches for panel mounting switch load, control and signal circuits up to 6 A. Depending on the type, they are complete or incomplete explosion-protected equipment with corresponding requirements for installation. As an option, various actuators are available.

Zone	ATEX / IECEx					
	0	1	2	20	21	22
Installation in		•	•		•	•

Zone	NEC 505			NEC 506		
	Class I	Class II	Class III	Class I	Class II	Class III
Installation in		•	•			

Division	NEC 500					
	Class I		Class II		Class III	
Installation in		•		•		

E4

Selection Table									
Actuator: Key-operated switch actuator with key release									
Figure	Number of switching positions	Number of NC	Number of NO	Ambient temperature	Silicone-free	Product Type	Art. No.	PS	Weight kg
	2	1	1	-20 °C ... +60 °C	Yes	8003/113-008-2-r-MS1-6	218604 ▲	11	0.125
	2	2	-	-20 °C ... +60 °C	Yes	8003/123-008-2-r-MS1-6	218605	11	0.125
	2	-	2	-20 °C ... +60 °C	Yes	8003/133-008-2-r-MS1-6	218606 ▲	11	0.125
	3	1	1	-20 °C ... +60 °C	Yes	8003/113-008-3-rr-MS1-6	218597	11	0.125
	3	1	1	-20 °C ... +60 °C	Yes	8003/143-008-3-rr-MS1-6	218871	11	0.125
	3	2	-	-20 °C ... +60 °C	Yes	8003/123-008-3-rr-MS1-6	218598	11	0.125
	3	-	2	-20 °C ... +60 °C	Yes	8003/133-008-3-rr-MS1-6	213542	11	0.125
Actuator: Mushroom push button									
Figure	Number of switching positions	Number of NC	Number of NO	Ambient temperature	Silicone-free	Product Type	Art. No.	PS	Weight kg
	-	1	1	-20 °C ... +60 °C	Yes	8003/113-003-6	214308	11	0.125
	-	2	-	-20 °C ... +60 °C	Yes	8003/123-003-6	214309	11	0.125
	-	-	2	-20 °C ... +60 °C	Yes	8003/133-003-6	214310	11	0.125

# Control Buttons / Switches for Panel Mounting

## Series 8003 Plug-in Connection with Connection Line

STAHL

Selection Table									
Actuator: Mushroom stay-put button EM-STOP									
Figure	Number of switching positions	Number of NC	Number of NO	Ambient temperature	Silicone-free	Product Type	Art. No.	PS	Weight kg
	-	1	1	-55 °C ... +60 °C	No	8003/113-010S-6	217964	11	0.125
	-	2	-	-55 °C ... +60 °C	No	8003/123-010S-6	217965	11	0.125
	-	-	2	-55 °C ... +60 °C	No	8003/133-010S-6	217966	11	0.125
Actuator: Mushroom stay-put button EM-STOP, 55 mm									
Figure	Number of switching positions	Number of NC	Number of NO	Ambient temperature	Silicone-free	Product Type	Art. No.	PS	Weight kg
	-	1	1	-55 °C ... +60 °C	No	8003/113-015S-6	217968	11	0.125
	-	2	-	-55 °C ... +60 °C	No	8003/123-015S-6	217969	11	0.125
	-	-	2	-55 °C ... +60 °C	No	8003/133-015S-6	217970	11	0.125
Actuator: Mushroom stay-put button with key release EM-STOP									
Figure	Number of switching positions	Number of NC	Number of NO	Ambient temperature	Silicone-free	Product Type	Art. No.	PS	Weight kg
	-	1	1	-55 °C ... +60 °C	No	8003/113-009S-MS1-6	217947	11	0.125
	-	2	-	-55 °C ... +60 °C	No	8003/123-009S-MS1-6	217948	11	0.125
	-	-	2	-55 °C ... +60 °C	No	8003/133-009S-MS1-6	217950	11	0.125
Actuator: Pushbutton									
Figure	Number of switching positions	Number of NC	Number of NO	Ambient temperature	Silicone-free	Product Type	Art. No.	PS	Weight kg
	-	1	1	-20 °C ... +60 °C	Yes	8003/113-001-6	213516 ▲	11	0.125
	-	1	1	-55 °C ... +60 °C	No	8003/113-001S-6	217942	11	0.125
	-	2	-	-20 °C ... +60 °C	Yes	8003/123-001-6	213530	11	0.125
	-	2	-	-55 °C ... +60 °C	No	8003/123-001S-6	217943	11	0.125
	-	-	2	-20 °C ... +60 °C	Yes	8003/133-001-6	213540	11	0.125
	-	-	2	-55 °C ... +60 °C	No	8003/133-001S-6	213541	11	0.125
	Actuator: Rotary handle, small lockable								
Figure	Number of switching positions	Number of NC	Number of NO	Ambient temperature	Silicone-free	Product Type	Art. No.	PS	Weight kg
	2	1	1	-20 °C ... +60 °C	Yes	8003/113-727-2-r-6	218875	11	0.125
	2	2	-	-20 °C ... +60 °C	Yes	8003/123-727-2-r-6	218876	11	0.125
	2	-	2	-20 °C ... +60 °C	Yes	8003/133-727-2-r-6	218877	11	0.125
	3	1	1	-20 °C ... +60 °C	Yes	8003/113-727-3-rr-6	218878	11	0.125
	3	1	1	-20 °C ... +60 °C	Yes	8003/143-727-3-rr-6	218901	11	0.125
	3	2	-	-20 °C ... +60 °C	Yes	8003/123-727-3-rr-6	218879	11	0.125
	3	-	2	-20 °C ... +60 °C	Yes	8003/133-727-3-rr-6	218880 ▲	11	0.125

E4

### Selection Table

Actuator: Rotary handle, small not lockable									
Figure	Number of switching positions	Number of NC	Number of NO	Ambient temperature	Silicone-free	Product Type	Art. No.	PS	Weight kg
	2	1	1	-20 °C ... +60 °C	Yes	8003/113-726-2-r-6	213524 ▲	11	0.125
	2	2	–	-20 °C ... +60 °C	Yes	8003/123-726-2-r-6	218872	11	0.125
	2	–	2	-20 °C ... +60 °C	Yes	8003/133-726-2-r-6	213543	11	0.125
	3	1	1	-20 °C ... +60 °C	Yes	8003/113-726-3-rr-6	218873	11	0.125
	3	2	–	-20 °C ... +60 °C	Yes	8003/123-726-3-rr-6	218874	11	0.125
	3	–	2	-20 °C ... +60 °C	Yes	8003/133-726-3-rr-6	213545	11	0.125

- yellow label for EM-STOP function is enclosed
- plates must be ordered separately; see accessories
- key-operated switch with "spring-return" and/or "key not removable" on request
- versions with other locking cylinders on request
- key switches type 8003/1...-008- and control switches type 8003/1...-726-3 are codable ( "latching", "spring-return", "key removable" )

### Technical Data

Explosion Protection	
Certificate IECEX Gas	IECEX PTB 06.0065X
Certificate ATEX Gas	PTB 02 ATEX 1057 X
Certificate IECEX Dust	IECEX PTB 06.0065X
Certificate ATEX Dust	PTB 02 ATEX 1057 X
Gas explosion protection IECEX	Ex db eb IIC T6 Gb
Gas explosion protection ATEX	⊕ II 2 G Ex db eb IIC T6 Gb
Dust explosion protection IECEX	Ex tb IIIC T80 °C Db
Dust explosion protection ATEX	⊕ II 2 D Ex tb IIIC T80 °C Db
Certificates	ATEX (PTB), Canada / USA (UL), China (CQST), EAC (STV), IECEX (PTB), India (PESO), Korea (KGS)
Electrical Data	
Rated operational voltage AC	500 V
Rated operational current	6 A
Mechanical Data	
Housing protect.type(IP) front	IP66
Housing protect.type (IP) back	IP65
Contact material	silver-nickel
Conductor length	6 m
Type of connection line	ÖLFLEX 4x1 mm <sup>2</sup>
Components	
Cable entry	1 x M16 x 1.5
Type of entry	Standard 8161 moulded material

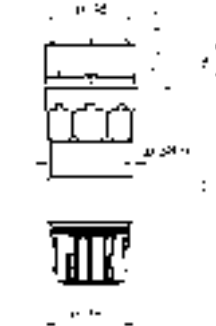
Accessories and spare parts see page 775

Dimensional Drawings see page 767

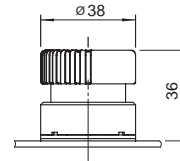
Dimensional Drawings (All Dimensions in mm [inches]) – Subject to Alterations



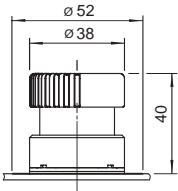
Pushbutton with connection area



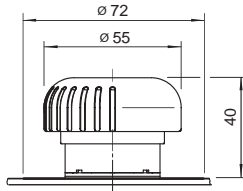
Pushbutton without connection area



Mushroom button



Mushroom stay-put button Ø 38 mm



Mushroom stay-put button Ø 55 mm



Key-stay button



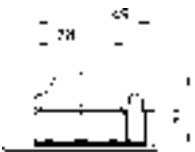
Key switch



Drilling pattern: for aligning several devices Ø 38 mm, in a panel



Control switch, not padlockable

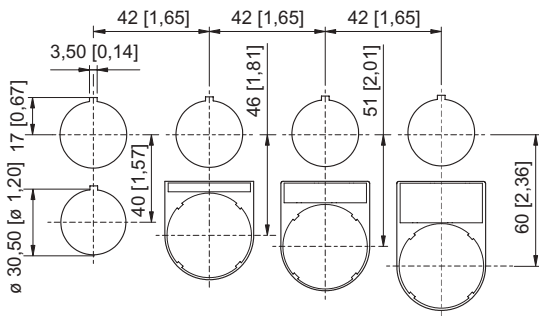


Control switch, one-time padlockable



Standard cut-out for EMERGENCY-STOP button

E4



Standard cut-out with / without front label



- Advantageous LED technology: Extremely long service life, high luminance, low heat build-up
- For installation in enclosure walls, device covers, panels, control cabinets
- Version with spring clamp terminal with or without connection enclosure or version with prefabricated connection line and connection enclosure available

WebCode 8013A



R. STAHL Series 8013 LED indicating lamps show command statuses via a light signal, the colour of which you can determine using the colour filter included in the delivery: Red, yellow, green, blue or white. The long-life LEDs provide high luminance and low heat build-up. Versions with spring clamp terminal with or without connection enclosure and versions with prefabricated connection line and connection enclosure are available.

	ATEX / IECEx					
Zone	0	1	2	20	21	22
Installation in		•	•		•	•

	NEC 505			NEC 506		
	Class I					
Zone	0	1	2	20	21	22
Installation in		•	•			

	NEC 500					
	Class I		Class II		Class III	
Division	1	2	1	2	1	2
Installation in		•				

E4

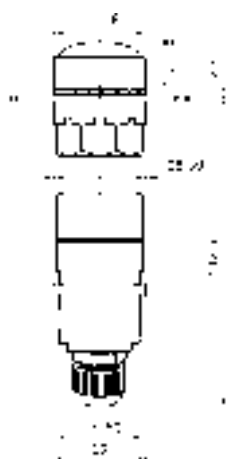
Selection Table								
Product Variant:			Ex d					
Gas explosion protection IECEx:			Ex db eb mb IIC T6 Gb					
Gas explosion protection ATEX:			Ⓜ II 2 G Ex db eb mb IIC T6 Gb					
Connection	Conductor cross-section	Conductor length	Rated operational voltage AC	Rated operational voltage DC	Product Type	Art. No.	PS	Weight kg
plug-in connec., connec. line	0.75 – 0.75 mm <sup>2</sup>	6 m	10.8 – 270 V	10.8 – 270 V	8013/313-al-6	214311 ▲	11	0.625
Spring clamp terminal	0.5 – 2.5 mm <sup>2</sup>	–	10.8 – 270 V	10.8 – 270 V	8013/311-al	129095 ▲	11	0.130
Product Variant:			Ex i					
Gas explosion protection IECEx:			Ex db mb ia IIC T6 Gb					
Gas explosion protection ATEX:			Ⓜ II 2 G Ex db mb ia IIC T6 Gb					
Connection	Conductor cross-section	Conductor length	Rated operational voltage AC	Rated operational voltage DC	Product Type	Art. No.	PS	Weight kg
plug-in connec., connec. line	0.75 – 0.75 mm <sup>2</sup>	6 m	10.8 – 28 V	10.8 – 28 V	8013/323-al-6	214312	11	0.635
Spring clamp terminal	0.5 – 2.5 mm <sup>2</sup>	–	10.8 – 28 V	10.8 – 28 V	8013/321-al	129110 ▲	11	0.140

The calotte insert caps red, yellow, green, blue, white are enclosed in the delivery.

Technical Data	
Explosion Protection	
Certificate IECEX Gas	IECEX PTB 07.0010 X
Certificate ATEX Gas	PTB 02 ATEX 2131 X
Certificate IECEX Dust	IECEX PTB 07.0010 X
Certificate ATEX Dust	PTB 02 ATEX 2131 X
Dust explosion protection IECEX	Ex tb IIIC T80 °C Db
Dust explosion protection ATEX	⊕ II 2 D Ex tb IIIC T80 °C Db
Certificates	ATEX (PTB), Canada / USA (UL), EAC (STV), IECEX (PTB)
Electrical Data	
Rated operational voltage note	Ex e 12 (-10 %) ... 254 (+6 %) V AC / DC Ex i 10.8 ... 28 V DC
Ambient Conditions	
Ambient temperature	-30°C ... +60°C
Lighting Data	
Luminous colour	yellow white red green blue
Mechanical Data	
Type of protection note	acc. IEC/EN 60529
Housing protect.type(IP) front	IP66
Housing protect.type (IP) back	IP65
Cable entry	M16 x 1,5 ( Ø2 ... 9 mm)
Components	
Type of entry	Standard 8161 moulded material
Accessories and spare parts see page 775	

E4

## Dimensional Drawings (All Dimensions in mm [inches]) – Subject to Alterations



Drilling pattern: for aligning several devices Ø 38 mm, in a panel

8013/3.1, 8013/3.3 Indicating lamp with terminal compartment



- Advantageous LED technology: Extremely long service life, high luminance, low heat build-up
- For installation in Ex-e enclosures
- Version with spring clamp terminal with or without connection enclosure or version with prefabricated connection line and connection enclosure available

WebCode 8013B



R. STAHL Series 8013 LED indicating lamps show command statuses via a light signal, the colour of which you can determine using the colour filter included in the delivery: Red, yellow, green, blue or white. The long-life LEDs provide high luminance and low heat build-up. Versions with spring clamp terminal with or without connection enclosure and versions with prefabricated connection line and connection enclosure are available.

	ATEX / IECEx					
Zone	0	1	2	20	21	22
Installation in		•	•		•	•

	NEC 505			NEC 506		
	Class I					
Zone	0	1	2	20	21	22
Installation in		•	•			

	NEC 500					
	Class I		Class II		Class III	
Division	1	2	1	2	1	2
Installation in		•				

E4

Selection Table							
Product Variant:		Ex d					
Gas explosion protection IECEx:		Ex db eb mb IIC T6 Gb					
Gas explosion protection ATEX:		Ⓜ II 2 G Ex db eb mb IIC T6 Gb					
Connection	Conductor cross-section	Rated operational voltage AC	Rated operational voltage DC	Product Type	Art. No.	PS	Weight kg
Spring clamp terminal	0.5 – 2.5 mm <sup>2</sup>	10.8 – 270 V	10.8 – 270 V	8013/312-al	129096 ▲	11	0.100
Product Variant:		Ex i					
Gas explosion protection IECEx:		Ex db mb ia IIC T6 Gb					
Gas explosion protection ATEX:		Ⓜ II 2 G Ex db mb ia IIC T6 Gb					
Connection	Conductor cross-section	Rated operational voltage AC	Rated operational voltage DC	Product Type	Art. No.	PS	Weight kg
Spring clamp terminal	0.5 – 2.5 mm <sup>2</sup>	10.8 – 28 V	10.8 – 28 V	8013/322-al	129111 ▲	11	0.110

The calotte insert caps red, yellow, green, blue, white are enclosed in the delivery.

Technical Data	
Explosion Protection	
Certificate IECEx Gas	IECEx PTB 07.0012 U
Certificate ATEX Gas	PTB 02 ATEX 2130 U
Certificates	ATEX (PTB), Canada / USA (UL), EAC (STV), IECEx (PTB)

## Technical Data

### Electrical Data

Rated operational voltage note	Ex e	12 (-10 %) ... 254 (+6 %) V AC / DC
	Ex i	10.8 ... 28 V DC

### Ambient Conditions

Ambient temperature	-30°C ... +60°C
---------------------	-----------------

### Lighting Data

Luminous colour	yellow white red green blue
-----------------	---

### Mechanical Data

Type of protec. IP (IEC 60529)	IP65
Housing protect.type(IP) front	IP66
Housing protect.type (IP) back	IP20
Cable entry	M16 x 1,5 ( Ø2 ... 9 mm)

### Components

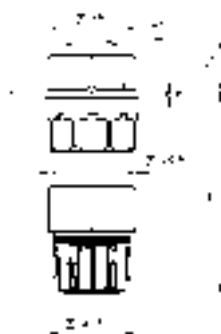
Type of entry	Standard 8161 moulded material
---------------	--------------------------------

Accessories and spare parts see page 775

## Dimensional Drawings (All Dimensions in mm [inches]) – Subject to Alterations



Drilling pattern: for aligning several devices Ø 38 mm, in a panel



8013/3.2 Indicating lamp without terminal compartment

E4



- For installation in enclosure walls, device covers, panels or control cabinets
- Single-hole mounting  $\varnothing$  30 mm
- Advantageous LED technology: Extremely long service life, high luminance, low heat build-up
- Reliable explosion protection due to pressure-resistant encapsulated contact and lighting elements

WebCode **8018A**



R. STAHL Series 8018 LED illuminated pushbuttons switch load, control and signal circuits and show command statuses via a light signal, the colour of which you can determine using the colour filter included in the delivery: Red, yellow, green, blue or white. The long-life LEDs provide high luminance and low heat build-up. The switches are supplied with a connection line.

Zone	ATEX / IECEx					
	0	1	2	20	21	22
Installation in		•	•		•	•

Zone	NEC 505			NEC 506		
	Class I					
Zone	0	1	2	20	21	22
Installation in			•			

Division	NEC 500					
	Class I		Class II		Class III	
Division	1	2	1	2	1	2
Installation in		•				

E4

Selection Table									
Product Variant:			LED illuminated pushbutton Ex e						
Gas explosion protection IECEx:			Ex db mb IIC T6 Gb						
Dust explosion protection IECEx:			Ex tb IIIC T80 °C Db						
Gas explosion protection ATEX:			Ⓔ II 2 G Ex db mb IIC T6 Gb						
Dust explosion protection ATEX:			Ⓔ II 2 D Ex tb IIIC T80 °C Db						
Contact material	Number of NC	Number of NO	Rated operational voltage indicating lamp unit	Rated operational current	Rated operational current indicating lamp unit	Product Type	Art. No.	PS	Weight kg
silver-nickel	1	1	12(-10%) ... 254(+6%) V AC/DC	6 A	0,014 A at 24 V DC	8018/3113-al-6	129769▲	11	0.740
	2	-	12(-10%) ... 254(+6%) V AC/DC	6 A	0,014 A at 24 V DC	8018/3123-al-6	129777	11	0.740
	-	2	12(-10%) ... 254(+6%) V AC/DC	6 A	0,014 A at 24 V DC	8018/3133-al-6	129784▲	11	0.740
Product Variant:			LED illuminated pushbutton Ex i						
Gas explosion protection IECEx:			Ex db mb ia IIC T6 Gb						
Dust explosion protection IECEx:			Ex tb IIIC T80 °C Db						
Gas explosion protection ATEX:			Ⓔ II 2 G Ex db mb ia IIC T6 Gb						
Dust explosion protection ATEX:			Ⓔ II 2 D Ex tb IIIC T80 °C Db						
Contact material	Number of NC	Number of NO	Rated operational voltage indicating lamp unit	Rated operational current	Rated operational current indicating lamp unit	Product Type	Art. No.	PS	Weight kg
silver-nickel, gold-plated	1	1	Ui = 10,8 ... 28 V DC	100 mA	li = 150 mA	8018/3213-al-6	210174	11	0.740
	2	-	Ui = 10,8 ... 28 V DC	100 mA	li = 150 mA	8018/3223-al-6	210175▲	11	0.740
	-	2	Ui = 10,8 ... 28 V DC	100 mA	li = 150 mA	8018/3233-al-6	210176	11	0.740

The colour filters red, yellow, green, blue, white are enclosed in the delivery.

### Technical Data

#### Explosion Protection

Certificate IECEX Gas	IECEX PTB 07.0011X
Certificate ATEX Gas	PTB 02 ATEX 2129 X
Certificate IECEX Dust	IECEX PTB 07.0011 X
Certificate ATEX Dust	PTB 02 ATEX 2129 X
Certificates	ATEX (PTB), Canada (UL), EAC (LPE), IECEX (PTB), USA (UL)

#### Ambient Conditions

Ambient temperature	-30 °C ... +60 °C
---------------------	-------------------

#### Lighting Data

Lamps	1 LED white
Luminous colour	white blue green yellow red

#### Mechanical Data

Conductor length	6 m
Housing protect.type(IP) front	IP66
Housing protect.type (IP) back	IP65
Enclosure material	Polyamide

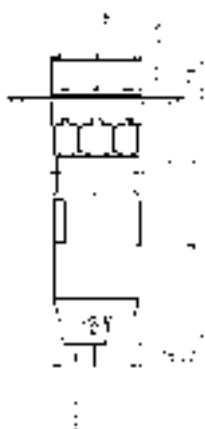
#### Mounting / Installation

Connection	Cable H05 6 x 0.75 mm <sup>2</sup>
------------	------------------------------------

Accessories and spare parts see page 775

E4










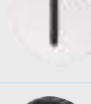

### Dimensional Drawings (All Dimensions in mm [inches]) – Subject to Alterations



LED illuminated pushbutton




Drilling pattern: for aligning several devices Ø 38 mm, in a panel

Accessories and Spare Parts				
Figure	Description	Art. No.	PS	Weight kg
<b>Spare key</b>				
	standard locking MS1	107109 ▲	19	0.008
	special locking MS2 ... MS20 (specify as text)	107110	19	0.008
<b>Symbol label for pushbutton and selector switch</b>				
	Colour: blue Blank label without text	155911 ▲	19	0.001
	Colour: yellow Blank label without text	155914 ▲	19	0.001
	Colour: red Blank label without text	155897 ▲	19	0.001
	Colour: green Blank label without text	155901 ▲	19	0.001
	Colour: white Blank label without text	155908 ▲	19	0.001
	Colour: black Blank label without text	155905 ▲	19	0.001
	Colour: black Text: I	155846 ▲	19	0.001
	Colour: green Text: I	155689 ▲	19	0.001
	Colour: white Text: I	155892 ▲	19	0.001
	Colour: black Text: II	155854 ▲	19	0.001

E4

## Accessories and Spare Parts

Figure	Description	Art. No.	PS	Weight kg
Symbol label for pushbutton and selector switch				
	Colour: green Text: II	155706 ▲	19	0.001
	Colour: red Text: O	155596 ▲	19	0.001
	Colour: black Text: O	155783 ▲	19	0.001
	Colour: black Text: I O	155771 ▲	19	0.001
	Colour: red Symbol: Arrow	155567 ▲	19	0.001
	Colour: black Symbol: Arrow	155761 ▲	19	0.001
	Colour: black Text: EIN	155862 ▲	19	0.001
	Colour: red Text: OFF	155654 ▲	19	0.001
	Colour: red Text: Aus	155634 ▲	19	0.001
	Colour: black Text: Aus	155806 ▲	19	0.001
	Colour: red Text: STOP	155615 ▲	19	0.001
	Colour: black Text: STOP	155795 ▲	19	0.001

E4

Accessories and Spare Parts				
Figure	Description	Art. No.	PS	Weight kg
<b>Symbol label for pushbutton and selector switch</b>				
	Colour: blue Text: RESET	155894 ▲	19	0.001
	Colour: green Text: ON	155671 ▲	19	0.001
<b>Label mount</b>				
	Label mount, size 1, without symbol label Text: 1 line for actuators to fit $\varnothing$ 30.5 mm holes	155632 ▲	19	0.001
	Label mount, size 2, without symbol label Text: 1 or 2 lines for actuators to fit $\varnothing$ 30.5 mm holes	155687 ▲	19	0.002
	Label mount, size 3, without symbol label Text: 1, 2 or 3 lines for actuators to fit $\varnothing$ 30.5 mm holes	155844 ▲	19	0.002
<b>Actuator</b>				
	for illuminated pushbutton (spring-return)	155163 ▲	19	0.019
<b>Closure part</b>				
	for closing of unused mounting holes $\varnothing$ 30.5 mm	155329 ▲	19	0.016
<b>Colour filter</b>				
	for illuminated pushbuttons white	155877 ▲	19	0.001
	for illuminated pushbuttons red	155882 ▲	19	0.001
	for illuminated pushbuttons yellow	155885 ▲	19	0.001
	for illuminated pushbuttons green	155888 ▲	19	0.001
	for illuminated pushbuttons blue	155891 ▲	19	0.001

E4



- Flexible: modular structure and 3 sizes enable customer-specific versions
- Lightweight enclosure made from glass fibre reinforced polyester resin (GRP), suitable for shipping industry and offshore
- Versions with contact elements 8082 and 8208, usable up to SIL 2 and/or SIL 3

WebCode **8040B**



With the R. STAHL Series 8040 control device system, you can get a clear overview of the control devices. The 3 combinable design sizes and the modular structure offer flexibility. You can choose from one standard version and customised variants. The 8208 contact elements monitor the systems for wire breakage and short circuit. The 8208 contact elements monitor the systems for wire breakage and short circuit.

	ATEX / IECEx					
Zone	0	1	2	20	21	22
Installation in		•	•		•	•

E4

Selection Table										
Product Variant: 2 pushbuttons										
Figure	Installation position top	Built-in element top	Installation position middle	Built-in element middle	Installation position bottom	Built-in element bottom	Product Type	Art. No.	PS	Weight kg
	Pushbutton green - "I"	Contact element NC / NO	-	-	Pushbutton red - "0"	Contact element NC / NO	8040/1280X-01L13SA05-01L08SA05	130692 ▲	11	0.460
Product Variant: 3 pushbuttons										
Figure	Installation position top	Built-in element top	Installation position middle	Built-in element middle	Installation position bottom	Built-in element bottom	Product Type	Art. No.	PS	Weight kg
	Pushbutton green - "I"	Contact element NC / NO	Pushbutton red - "0"	Contact element NC / NO	Pushbutton green - "II"	Contact element NC / NO	8040/1380X-01L13SA05-01L08SA05-01L15SA05	130861 ▲	11	0.580
Product Variant: Ammeter 8405										
Figure	Installation position top	Built-in element top	Installation position middle	Built-in element middle	Installation position bottom	Built-in element bottom	Product Type	Art. No.	PS	Weight kg
	-	-	Bezel	Converter ammete 1A Range according to order	-	-	8040/1280Z-40XXXXN..	130858	11	0.490

Selection Table										
Product Variant: Ammeter 8405 and control switch 8008, 2 pole										
Figure	Installation position top	Built-in element top	Installation position middle	Built-in element middle	Installation position bottom	Built-in element bottom	Product Type	Art. No.	PS	Weight kg
	Bezel	Converter ammete 1A Range according to order	–	–	Large actuator Label according to order	Control switch according to order	8040/1380Z-40XXXXN.-31....F..	130870 ▲	11	0.780
Product Variant: Ammeter 8405 and control switch 8008, 4 pole										
Figure	Installation position top	Built-in element top	Installation position middle	Built-in element middle	Installation position bottom	Built-in element bottom	Product Type	Art. No.	PS	Weight kg
	Bezel	Converter ammete 1A Range according to order	–	–	Large actuator Label according to order	Control switch according to order	8040/2380Z-40XXXXN.-31...SF..	130878	11	0.930
Product Variant: Control switch 2 pole with switch element 8008										
Figure	Installation position top	Built-in element top	Installation position middle	Built-in element middle	Installation position bottom	Built-in element bottom	Product Type	Art. No.	PS	Weight kg
	–	–	Large actuator Label according to order	Control switch according to order	–	–	8040/1180Z-31....F..	130841	11	0.440
	–	–	Small actuator, padlockable Label according to order	Control switch according to order	–	–	8040/1180Z-34...SF..	130845	11	0.420
Product Variant: Control switch 8008, 4 pole										
Figure	Installation position top	Built-in element top	Installation position middle	Built-in element middle	Installation position bottom	Built-in element bottom	Product Type	Art. No.	PS	Weight kg
	–	–	Large actuator Label according to order	Control switch according to order	–	–	8040/2380Z-31...SF..	130874	11	0.770
Product Variant: Control switch 8008, 4 pole and LED indicating lamp 8010										
Figure	Installation position top	Built-in element top	Installation position middle	Built-in element middle	Installation position bottom	Built-in element bottom	Product Type	Art. No.	PS	Weight kg
	Bezel for indicating lamp all colors	LED indicating lamp	–	–	Large actuator Label according to order	Control switch according to order	8040/2380Z-54C06SA70-31...SF..	130882	11	0.800
Product Variant: Key-operated switch										
Figure	Installation position top	Built-in element top	Installation position middle	Built-in element middle	Installation position bottom	Built-in element bottom	Product Type	Art. No.	PS	Weight kg
	–	–	Key switch latching /latching	Contact element NC / NO	–	–	8040/1180X-08M01SA05	130902 ▲	11	0.450
	–	–	Key switch latching/latching/ latching	Contact element NO / NO	–	–	8040/1180X-08M03SA04	130822	11	0.450

E4

## Selection Table

Product Variant: LED illuminated pushbutton										
Figure	Installation position top	Built-in element top	Installation position middle	Built-in element middle	Installation position bottom	Built-in element bottom	Product Type	Art. No.	PS	Weight kg
	-	-	LED illuminated pushbutton all colors	Contact element NC + LED + NO	-	-	8040/1180X-35C06SA45	130828 ▲	11	0.400
Product Variant: LED indicating lamp										
Figure	Installation position top	Built-in element top	Installation position middle	Built-in element middle	Installation position bottom	Built-in element bottom	Product Type	Art. No.	PS	Weight kg
	-	-	Bezel for indicating lamp all colors	LED indicating lamp	-	-	8040/1180X-54C06SXXX	130890 ▲	11	0.350
Product Variant: LED indicating lamp and 2 pushbuttons										
Figure	Installation position top	Built-in element top	Installation position middle	Built-in element middle	Installation position bottom	Built-in element bottom	Product Type	Art. No.	PS	Weight kg
	Bezel for indicating lamp all colors	LED indicating lamp	Pushbutton green - "I"	Contact element NC / NO	Pushbutton red - "0"	Contact element NC / NO	8040/1380X-54C06SA70-01L13SA05-01L08SA05	130900 ▲	11	0.640
Product Variant: LED indicating lamp and pushbutton										
Figure	Installation position top	Built-in element top	Installation position middle	Built-in element middle	Installation position bottom	Built-in element bottom	Product Type	Art. No.	PS	Weight kg
	Bezel for indicating lamp all colors	LED indicating lamp	-	-	Pushbutton red - "0"	Contact element NC / NO	8040/1280X-54C06SA70-01L08SA05	130852 ▲	11	0.460
Product Variant: LED indicating lamp and twin pushbutton										
Figure	Installation position top	Built-in element top	Installation position middle	Built-in element middle	Installation position bottom	Built-in element bottom	Product Type	Art. No.	PS	Weight kg
	Bezel for indicating lamp all colors	LED indicating lamp	-	-	Twin pushbutton red "0", green "I"	Contact element NC / NO	8040/1280X-54C06SXXX-23D01SA05	130898 ▲	11	0.540
Product Variant: LED indicating lamp, twin pushbutton and mushroom stay-put button										
Figure	Installation position top	Built-in element top	Installation position middle	Built-in element middle	Installation position bottom	Built-in element bottom	Product Type	Art. No.	PS	Weight kg
	Bezel for indicating lamp all colors	LED indicating lamp	Twin pushbutton red "0", green "I"	Contact element NC / NO	EM-STOP mushr. PB key release	Contact element NC / NO	8040/1380X-54C06SA70-23D01SA05-09XXXSA05	130903 ▲	11	0.750
Product Variant: Mushroom pushbutton										
Figure	Installation position top	Built-in element top	Installation position middle	Built-in element middle	Installation position bottom	Built-in element bottom	Product Type	Art. No.	PS	Weight kg
	-	-	Mushroom pushbutton black black - "I"	Contact element NC / NO	-	-	8040/1180X-03L24SA05	130813 ▲	11	0.400

E4

Selection Table										
Product Variant: Mushroom stay-put button										
Figure	Installation position top	Built-in element top	Installation position middle	Built-in element middle	Installation position bottom	Built-in element bottom	Product Type	Art. No.	PS	Weight kg
	-	-	EM-STOP mushr. PB key release	Contact element NC / NO	-	-	8040/1180X-09XXXSA05	130665 ▲	11	0.450
	-	-	EM-STOP stay-put button red - (turning arrow)	Contact element NC / NO	-	-	8040/1180X-10L07SA05	130679 ▲	11	0.400
	-	-	EM-STOP stay-put button red - (turning arrow)	Contact element NC / NC / NO	-	-	8040/1180X-10L07SA08	130819 ▲	11	0.410
	-	-	EM-STOP stay-put button 55 red - (turning arrow)	Contact element NC / NO	-	-	8040/1180X-15L07SA05	130816 ▲	11	0.400
Product Variant: Pushbutton										
Figure	Installation position top	Built-in element top	Installation position middle	Built-in element middle	Installation position bottom	Built-in element bottom	Product Type	Art. No.	PS	Weight kg
	-	-	Pushbutton red "0", green "I"	Contact element NC / NO	-	-	8040/1180X-01L50SA05	130686 ▲	11	0.370
Product Variant: Selector switch with contact element 8082										
Figure	Installation position top	Built-in element top	Installation position middle	Built-in element middle	Installation position bottom	Built-in element bottom	Product Type	Art. No.	PS	Weight kg
	-	-	Small actuator latching /latching	Contact element NC / NO	-	-	8040/1180X-26M01SA05	130834 ▲	11	0.420
	-	-	Small actuator latching/latching/latching	Contact element NO / NO	-	-	8040/1180X-26M03SA04	130837 ▲	11	0.420
Product Variant: Twin pushbutton										
Figure	Installation position top	Built-in element top	Installation position middle	Built-in element middle	Installation position bottom	Built-in element bottom	Product Type	Art. No.	PS	Weight kg
	-	-	Twin pushbutton red "0", green "I"	Contact element NC / NO	-	-	8040/1180X-23D01SA05	130825 ▲	11	0.400

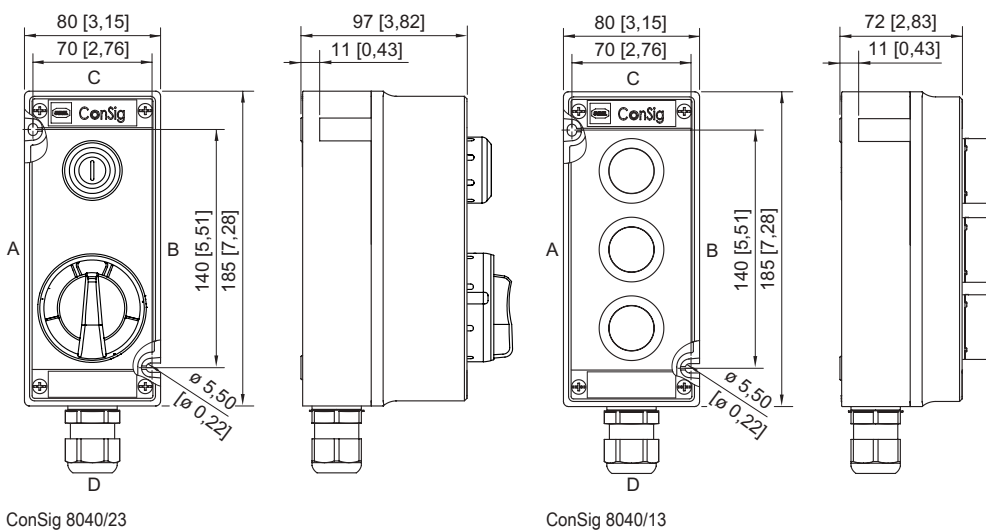
E4

Technical Data	
Explosion Protection	
Certificate IECEx Gas	IECEX PTB 06.0025
Certificate ATEX Gas	PTB 01 ATEX 1105
Certificate IECEx Dust	IECEX PTB 06.0025
Certificate ATEX Dust	PTB 01 ATEX 1105
Ambient temperature °C	-60 ... +40 °C
Gas explosion protection IECEx	Ex db eb IIC T6 Gb

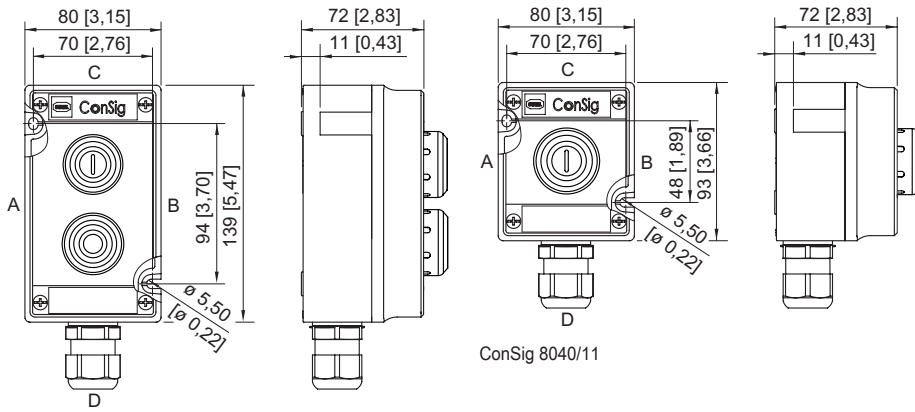
## Technical Data

Explosion Protection	
Gas explosion protection ATEX	Ⓜ II 2 G Ex db eb IIC T6 Gb
Dust explosion protection IECEx	Ex tb IIIC T80 °C Db
Dust explosion protection ATEX	Ⓜ II 2 D Ex tb IIIC T80 °C Db
Ambient temperature °C 2	-60 ... +55 °C
Gas explosion protection IECEx 2	Ex db eb IIC T5 Gb
Gas explosion protection ATEX 2	Ⓜ II 2 G Ex db eb IIC T5 Gb
Dust explosion protection IECEx 2	Ex tb IIIC T95 °C
Dust Explosion Protection ATEX 2	Ⓜ II Ex tb IIIC T95 °C
Certificates	ATEX (PTB), Brazil (ULB), China (CQST), EAC (LPE), IECEx (PTB), India (PESO), Korea (KGS), Taiwan (ITRI)
Mechanical Data	
Type of protection (IP)	IP66
Type of protection note	acc. to IEC/EN 60529
Enclosure material	Polyester resin, glass fibre-reinforced
Cover fixing type	with captive screw, M4 stainless steel screws
Seal	Silicone, foamed
Components	
Flanges and plates	without flange, without plate
Cable entry	1 x M25 Ø 7 ... 17 mm
Type of entry	Standard 8161 moulded material

## Dimensional Drawings (All Dimensions in mm [inches]) – Subject to Alterations



E4



ConSig 8040/12

ConSig 8040/11

## Technical Data – Components for Control Devices Series 8040

Version	Series 8008 Control switch			
	Certificate IECEX Gas	IECEX PTB 06.0010 U		
	Certificate ATEX Gas	PTB 00 ATEX 1111U		
	Rated operational voltage AC	690.00 V		
	Rated operational voltage DC	230.00 V		
	Utilisation category	AC-1	16 A	690 V
		AC-3	16 A	690 V (load disconnect switch 8008/2-6)
		AC-15	16 A	415 V
DC-1		10	220 V (3 conducting paths in series)	
Service temperature	T6 at 16 A: -60 ... +60 °C			
Version	Series 8082 Contact element			
	Certificate IECEX Gas	IECEX PTB 06.0011 U		
	Certificate ATEX Gas	PTB 00 ATEX 1031 U		
	Rated operational voltage	max. 500 V		
	Ambient temperature	-60 °C ... +70 °C		
	Rated operating characteristics according to utilisation category		AC-12	DC-13
		Rated operational voltage	550 V	110 V
		Rated operational current	max. 10 A	max. 2.5 A (two contact elements in series)
Switching capacity	max. 3000 W	max. 110 W		
Version	Series 8405 Ammeter			
	Certificate IECEX Gas	IECEX PTB 06.0017U		
	Certificate ATEX Gas	PTB 01 ATEX 2158 U		
	Rated operational voltage	max. 500 V		
	Ambient temperature	T6: -50 ... +40 °C (eb) T6: -20 ... +40 °C (mb)		
	Accuracy	Class 2.5		
Version	Series 8010 Indicating lamp			
	Certificate IECEX Gas	IECEX PTB 06.0016 U		
	Certificate ATEX Gas	PTB 01 ATEX 1160 U		
	Rated operational voltage	Ex e: 12 ... 240 V, AC / DC (± 10 %)		
		Ex i: 10.8 ... 30 V DC		
	Rated operational current $I_a$	Ex e: max. 15 mA		
	Rated operational power	max. 1 W		
Frequency range	0 ... 60 Hz			



- Practical Ex e control boxes made from glass fibre reinforced polyester resin
- Equipped as required with control devices, indicator lamps, illuminated pushbuttons, control switches, ammeters, voltmeters
- Optional: flange, cover hinge, flange enclosure, brass plates, cable glands made from metal

WebCode 8146F



R. STAHL Series 8146 control boxes are available in 8 basic sizes and various enclosure heights; they can be combined to make larger units. They are made from high-quality glass fibre reinforced polyester resin. We equip these with various components according to customer requirements, whereby the following optional accessories are available: Flange, cover hinges or cable glands made from metal.

	ATEX / IECEx					
Zone	0	1	2	20	21	22
Installation in		•	•		•	•

	NEC 505			NEC 506		
	Class I					
Zone	0	1	2	20	21	22
Installation in		•	•			

	NEC 500					
	Class I		Class II		Class III	
Division	1	2	1	2	1	2
Installation in		•		•	•	•

E4

Equipment Table for Control Stations Series 8146 and 8150, for Units with Contact Spacing of 42 mm



8082 Control unit with actuators Ø 38 mm



8010 Indicating lamp



8082/8010 Illuminated lamp

## Equipment Configuration

Maximum options for built-in components with contact spacing of 42 mm such as: control units 8082, indicator lamps 8010 and illuminated pushbuttons 8082/8010

Enclosure					Product Type	Weight (empty enclosure) [kg]
Enclosure size 3 a = 112.500 mm b = 112.500 mm c = 91.000 mm  Side facing down	Figure 3.1 				8146/5031-3.	0.64
Enclosure size 4 a = 170.000 mm b = 112.500 mm c = 91.000 mm  Side facing down	Figure 4.1 	Figure 4.2 	Figure 4.3 	8146/5041-3.	0.70	
Enclosure size 24 a = 227.000 mm b = 112.500 mm c = 91.000 mm  Side facing down	Figure 24.1 	Figure 24.2 	Figure 24.3 	8146/5241-3.	0.93	
Enclosure size 5 a = 170.000 mm b = 170.000 mm c = 91.000 mm  Side facing down	Figure 5.1 	Figure 5.2 	Figure 5.3 	Figure 5.4 	8146/5051-3.	1.10
Enclosure size 6 a = 227.000 mm b = 170.000 mm c = 91.000 mm  Side facing down	Figure 6.1 	Figure 6.2 	Figure 6.3 	Figure 6.4 	8146/5061-3.	1.40
Enclosure size 7 a = 340.500 mm b = 170.000 mm c = 91.000 mm  Side facing down	Figure 7.1 	Figure 7.2 			8146/5071-3.	2.00

Enclosure	Product Type	Weight (empty enclosure) [kg]
<p>Enclosure size 7</p> <p>a = 340.500 mm b = 170.000 mm c = 91.000 mm</p> <p>Figure 7.3</p> <p>Figure 7.4</p> <p>a = width; b = height; c = depth</p>	8146/5071-3.	2.00
<p>Enclosure size 8</p> <p>a = 340.500 mm b = 340.500 mm c = 91.000 mm</p> <p>Figure 8.1</p> <p>Figure 8.2</p>	8146/5081-3.	3.40
<p>Enclosure size 9</p> <p>a = 681.500 mm b = 340.500 mm c = 91.000 mm</p> <p>Figure 9.1</p>	8146/5091-3.	7.30
<p>Enclosure size 9</p> <p>a = 681.500 mm b = 340.500 mm c = 91.000 mm</p> <p>Figure 9.2</p> <p>Figure 9.3</p>	8146/5091-3.	7.30
<p>Order number supplement</p> <p>Specify side facing down:</p>	<p>Side A bottom (see above)</p> <p>Side D bottom (see above)</p>	<p>8146/50.1-.A</p> <p>8146/50.1-.D</p>

E4

Table of max. number of entries possible with cable glands 8161 see terminal boxes Series 8146, page 653

Dimensional drawings see terminal boxes Series 8146, page 654

Equipment Table for Control Stations Series 8146 and 8150, for Units with Contact Spacing of > 42 mm



8082 Control unit with actuators  $\varnothing > 38$  mm

8008 Control switch

8405 Ammeter

Equipment Configuration

Maximum options with built-in components with contact spacing > 42 mm such as: control switches 8008, ammeters 8405, control units 8082 with actuators  $\varnothing > 38$  mm

Enclosure	<p>a = width; b = height; c = depth</p>				Product Type	Weight (empty enclosure) [kg]
Enclosure size 3	Figure 3.2 	Figure 3.3 	Figure 3.4 		8146/5031-3.	0.64
Side facing down	D	D	D			
Enclosure size 4	Figure 4.4 	Figure 4.5 	Figure 4.6 	Figure 4.7 	8146/5041-3.	0.70
Side facing down	A	A	D	D		
Enclosure size 24	Figure 24.4 	Figure 24.5 			8146/5241-3.	0.93
Side facing down	A	A				
Enclosure size 5	Figure 5.5 	Figure 5.6 			8146/5051-3.	1.10
Side facing down	D	D				
Enclosure size 6	Figure 6.5 	Figure 6.6 			8146/5061-3.	1.40
Side facing down	A	A				

Enclosure	Product Type	Weight (empty enclosure) [kg]
<p>Enclosure size 7</p> <p>a = width; b = height; c = depth</p>	8146/5071-3.	2.00
<p>Side facing down</p> <p>Enclosure size 7</p>	8146/5071-3.	2.00
<p>Side facing down</p> <p>Enclosure size 8</p>	8146/5081-3.	3.40
<p>Side facing down</p> <p>Enclosure size 9</p>	8146/5091-3.	7.30
<p>Side facing down</p> <p>Enclosure size 9</p>	8146/5091-3.	7.30
<p>Order number supplement</p> <p>Specify side facing down:</p>	8146/50.1-.A 8146/50.1-.D	

E4

Table of max. number of entries possible with cable glands 8161 see terminal boxes Series 8146, page 653

Dimensional drawings see terminal boxes Series 8146, page 654

Technical Data	
Explosion Protection	
Certificate IECEX Gas	IECEX PTB 06.0090
Certificate ATEX Gas	PTB 01 ATEX 1024
Certificate IECEX Dust	IECEX PTB 06.0090
Certificate ATEX Dust	PTB 01 ATEX 1024
Gas explosion protection IECEX	Ex db eb ia [ia Ga] ib [ib] mb q IIA, IIB, IIC T6, T4, T3 Gb
Gas explosion protection ATEX	Ⓢ II 2 G Ex db eb ia [ia Ga] ib [ib] mb q IIA, IIB, IIC T6, T4, T3 Gb
Dust explosion protection IECEX	Ex tb IIIA, IIIB, IIIC T80 °C, T95 °C, T130 °C Db
Dust explosion protection ATEX	Ⓢ II 2 D Ex tb IIIA, IIIB, IIIC T80 °C, T95 °C, T130 °C Db
Certifications	ATEX, Brazil (INMETRO), China (China-Ex), EAC (TR), IECEX, India (PESO), Canada (CSA / cFM), Korea (KCs), Taiwan (ITRI), Ukraine (TR), USA (FM / UL)
Electrical Data	
Rated operational voltage	max. 1100 V AC / DC
Rated operational current	0 – 630 A
Frequency range	50 – 60 Hz
Ambient Conditions	
Ambient temperature	-60 °C ... +100 °C
Ambient temperature note	Depending on explosion protected components used
Mechanical Data	
Type of protection (IP)	IP66
Enclosure material	Polyester resin, glass-fibre-reinforced, dark-grey, similar to RAL 7024 impact resistance $\geq 7$ J surface resistance $\leq 10^9 \Omega$ flame retardant acc. IEC/EN 60695, UL 94, ASTM D635
Gasket material	Standard: foamed silicone Special: PU, foamed (-20 ... +80 °C)
Silicone-free	No



- Individually equipped Ex e control boxes made from stainless steel
- Sealed either with hinged cover (large opening angle of 130°) and sash lock, or with screw-on cover
- Numerous standard sizes in stock, special sizes on request

WebCode **8150B**



R. STAHL Series 8150 control and distribution boxes are made of brushed stainless steel (1.4301, AISI 304 or 1.4404, AISI 316L) and are particularly robust: The high-quality sealing materials are suitable for an extended temperature range and a circumferential protection channel prevents water penetration. A flange plate makes assembly easier.

	ATEX / IECEx					
Zone	0	1	2	20	21	22
Installation in		•	•		•	•

	NEC 505			NEC 506		
Zone	Class I					
Zone	0	1	2	20	21	22
Installation in		•	•			

	NEC 500					
Division	Class I		Class II		Class III	
Division	1	2	1	2	1	2
Installation in		•		•	•	•

E4

Equipment Table for Control Stations Series 8146 and 8150, for Units with Contact Spacing of 42 mm



8082 Control unit with actuators Ø 38 mm



8010 Indicating lamp



8082/8010 Illuminated lamp

## Equipment Configuration

Maximum options for built-in components with contact spacing of 42 mm such as: control units 8082, indicator lamps 8010 and illuminated pushbuttons 8082/8010

		Product Type
<p>a = width; b = height; c = depth</p> <p>Dimensions a = 176.500 mm b = 116.000 mm c = 91.000 mm</p>	<p>Fig. 4.1</p>	8150/5-0176-0116-091-3.1
<p>a = 176.500 mm b = 176.500 mm c = 91.000 mm</p>	<p>Fig. 5.1</p> <p>Fig. 5.2</p> <p>Fig. 5.3</p> <p>Fig. 5.4</p>	8150/5-0176-0176-091-3.1
<p>a = 236.500 mm b = 176.500 mm c = 91.000 mm</p>	<p>Fig. 6.1</p> <p>Fig. 6.2</p> <p>Fig. 6.3</p> <p>Fig. 6.4</p>	8150/5-0236-0176-091-3.1
<p>a = 360.000 mm b = 176.500 mm c = 91.000 mm</p>	<p>Fig. 7.1</p> <p>Fig. 7.2</p>	8150/5-0360-0176-091-3.1
<p>a = 360.000 mm b = 360.000 mm c = 91.000 mm</p>	<p>Fig. 8.1</p> <p>Fig. 8.2</p>	8150/5-0360-0360-091-3.1
<p>a = 727.000 mm b = 360.000 mm c = 150.000 mm</p>	<p>Fig. 9.1</p>	8150/5-0727-0360-150-3.1
<p>a = 727.000 mm b = 360.000 mm c = 150.000 mm</p>	<p>Fig. 9.2</p> <p>Fig. 9.3</p>	8150/5-0727-0360-150-3.1 8150/5-0360-0727-150-3.1

Table of max. number of entries possible with cable glands 8161 see terminal boxes Series 8150, page 661

Dimensional drawings see terminal boxes Series 8150, page 662

**Equipment Table for Control Stations Series 8146 and 8150, for Units with Contact Spacing of > 42 mm**



8082 Control unit with actuators  $\varnothing > 38$  mm

8008 Control switch

8405 Ammeter

**Equipment Configuration**

Maximum options with built-in components with contact spacing  $> 42$  mm such as: control switches 8008, ammeters 8405, control units 8082 with actuators  $\varnothing > 38$  mm

					Product Type
<p>Dimensions a = 176.500 mm b = 116.000 mm c = 91.000 mm</p>	<p>Fig. 4.2</p>	<p>Fig. 4.3</p>	<p>Fig. 4.4</p>	<p>Fig. 4.5</p>	8150/5-0176-0116-091-3.1
<p>a = 176.500 mm b = 176.500 mm c = 91.000 mm</p>	<p>Fig. 5.5</p>	<p>Fig. 5.6</p>			8150/5-0176-0176-091-3.1
<p>a = 236.500 mm b = 176.500 mm c = 91.000 mm</p>	<p>Fig. 6.5</p>	<p>Fig. 6.6</p>			8150/5-0236-0176-091-3.1
<p>a = 300.000 mm b = 200.000 mm c = 150.000 mm</p>	<p>Fig. 10.1</p>	<p>Fig. 10.2</p>			8150/5-0300-0200-150-3.1
<p>a = 360.000 mm b = 176.500 mm c = 91.000 mm</p>	<p>Fig. 7.3</p>				8150/5-0360-0176-091-3.1
<p>a = 360.000 mm b = 176.500 mm c = 91.000 mm</p>	<p>Fig. 7.4</p>	<p>Fig. 7.5</p>			8150/5-0360-0176-091-3.1
<p>a = 360.000 mm b = 360.000 mm c = 91.000 mm</p>	<p>Fig. 8.3</p>	<p>Fig. 8.4</p>			8150/5-0360-0360-091-3.1

E4

		Product Type
	<p>a = width; b = height; c = depth</p>	
<p>a = 400.000 mm b = 300.000 mm c = 150.000 mm</p>	<p>Fig. 11.1</p> <p>Fig. 11.2</p>	8150/5-0400-0300-150-3.1
<p>a = 400.000 mm b = 400.000 mm c = 150.000 mm</p>	<p>Fig. 12.1</p> <p>Fig. 11.2</p>	8150/5-0400-0400-150-3.1
<p>a = 600.000 mm b = 400.000 mm c = 150.000 mm</p>	<p>Fig. 13.1</p> <p>Fig. 13.2</p>	8150/5-0600-0400-150-3.1
<p>a = 400.000 mm b = 600.000 mm c = 150.000 mm</p>	<p>Fig. 13.3</p> <p>Fig. 13.4</p>	8150/5-0600-0400-150-3.1 8150/5-0460-0600-150-3.1
<p>a = 727.000 mm b = 360.000 mm c = 150.000 mm</p>	<p>Fig. 9.4</p>	8150/5-0727-0360-150-3.1
<p>a = 727.000 mm b = 360.000 mm c = 150.000 mm</p>	<p>Fig. 9.5</p>	8150/5-0727-0360-150-3.1
<p>a = 600.000 mm b = 600.000 mm c = 150.000 mm</p>	<p>Fig. 14.1</p> <p>Fig. 14.2</p>	8150/5-0727-0360-150-3.1

Table of max. number of entries possible with cable glands 8161 see terminal boxes Series 8150, page 661

Dimensional drawings see terminal boxes Series 8150, page 662

Technical Data	
<b>Explosion Protection</b>	
Certificate IECEX Gas	IECEX PTB 09.0049
Certificate ATEX Gas	PTB 09 ATEX 1109
Certificate IECEX Dust	IECEX PTB 09.0049
Certificate ATEX Dust	PTB 09 ATEX 1109
Gas explosion protection IECEx	Ex db eb ia [ja Ga] ib [ib] ma mb op pr op is qb IIA, IIB, IIC T6, T4, T3 Gb
Gas explosion protection ATEX	Ⓢ II 2 G Ex db eb ia [ja Ga] ib [ib] ma mb op pr op is qb IIA, IIB, IIC T6, T4, T3 Gb
Dust explosion protection IECEx	Ex tb IIIC IP6X T130 °C, T95 °C, T80 °C Db
Dust explosion protection ATEX	Ⓢ II 2 D Ex tb IIIC IP6X T130 °C, T95 °C, T80 °C Db
Certifications	ATEX, Brazil (INMETRO), China (China-Ex), EAC (TR), IECEX, India (PESO), Canada (CSA / cFM), Korea (KCs), Ukraine (TR), USA (FM / UL)
Ship certificates	GL, RS
<b>Electrical Data</b>	
Rated operational voltage	max. 1100 V AC / DC
Rated operational current	0 – 630 A
Frequency range	50 – 60 Hz
<b>Ambient Conditions</b>	
Ambient temperature	-60 °C ... +85 °C
Ambient temperature note	depending on explosion protected components used
<b>Mechanical Data</b>	
Type of protection (IP)	IP66
Enclosure material	8150/5-.....-2.....: stainless steel 1.4301 (AISI 304), brush finished 8150/5-.....-3.....: stainless steel 1.4404 (AISI 316L), brush finished
Gasket material	Silicone, foamed
Silicone-free	No
Terminals	Rated cross section which can be used: max. 300 mm². The maximum number of terminals for the respective enclosure size is indicated in the EC Type Examination Certificate.
Cover fixing type	Standard: with captive M6 stainless steel cheese-head screws with combined slot, option: with cover hinges
Notes	<b>Hinge + cam lock</b> without 8150/.....-1. with 8150/.....-2.
<b>Mounting / Installation</b>	
Connection	Depending on order requirements at the built-in components or at the terminal blocks. The rated operational voltage, the rated operational current and the rated cross section depend on the terminal type used and the explosion protected components.
Tightening torque	according to specifications of the terminal block manufacturer
<b>Components</b>	
Flanges and plates	Standard: in the standard version, the enclosures are supplied without flanges. Depending on order requirements the enclosures can be installed on one or more sides with flanges. Flange material: stainless steel

E4



- High frequency motion sensor
- Intelligent sensor technology
- Adjustable on-off time
- Individually adjustable time and twilight threshold

WebCode **8265E**

The motion sensor is equipped with intelligent sensor technology that provides additional security. The motion sensor, which features an 8 m beam width, a total switching load of 1000 W and a twilight setting of 2 to 2000 lux, is ideal for controlling lighting installations and systems.

	ATEX / IECEx					
Zone	0	1	2	20	21	22
Installation in		•	•		•	•

E4

Selection Table						
Construction design:		Motion sensor				
Width	Height	Length	Art. No.	PS	Weight	kg
195 mm	172 mm	195 mm	258122	13	8.183	

Technical Data	
Explosion Protection	
Certificate IECEX Gas	IECEX PTB 07.0029
Certificate ATEX Gas	PTB 06 ATEX 1077
Certificate IECEX Dust	IECEX PTB 07.0029
Certificate ATEX Dust	PTB 06 ATEX 1077
Gas explosion protection IECEX	Ex db IIC T6 Gb
Gas explosion protection ATEX	Ⓜ II 2 G Ex db IIC T6 Gb
Dust explosion protection IECEX	Ex tb IIIC T80 °C Db
Dust explosion protection ATEX	Ⓜ II 2 D Ex tb IIIC T80 °C Db
Certificates	China (CQST), India (PESO)
Electrical Data	
Min. Rated operational voltage	230 V
Max. rated operational voltage	240 V

Technical Data	
Ambient Conditions	
Min. ambient temperature	-20 °C
Max. ambient temperature	+50 °C
Mechanical Data	
Type of protection (IP)	IP66
Enclosure material	Aluminium, copper-free, seawater resistant
Seal	2 x M20 Novapress 815
Material note	In case of continuous contact with seawater, a coating is recommended
Components	
Plug	2 x CMP-757D BN M20

Accessories and Spare Parts		Art. No.	PS	Weight kg
Cover with inspection window				
	for enclosure size 3 visible part of window $\varnothing$ 141 mm	143452	13	2.232
Mounting plate				
	for enclosure size 3	143485	19	0.364
O-ring				
	silicone, for enclosure size 3	221718	19	0.010
Threaded pin				
	M5x16-A2 with allen screw and point	110216	19	0.001
Box spanner				
	to open the enclosure cover for size 1, 2, 3, 4 2 socket keys are required	142059	18	0.060
Lubricating grease for thread gap				
	Grease for low temperatures	105077	16	1.070
Cable glands made of metal				
	RapidEx liquid pour sealing system Cable entry with compound CMP-20PXSS2K-REX KLE MsNi M20	246605	10	0.200

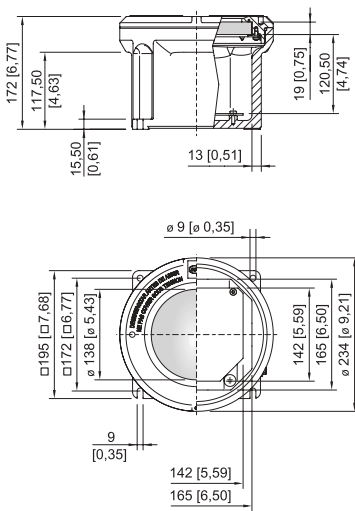
E4

### Accessories and Spare Parts

Figure	Description	Art. No.	PS	Weight kg
Cable glands made of metal				
	RapidEx liquid pour sealing system Cable entry with compound CMP-20PX2K-REX KLE MsNi M20 for reinforced conductors	246649	10	0.240

If the cable is selected in accordance with IEC/EN 60079-14, other cable glands can be used.  
Additional variants, such as heaters, paint, connection chambers or cable entries, are available on request.

### Dimensional Drawings (All Dimensions in mm [inches]) – Subject to Alterations



Enclosure size 3 with inspection window

E4



E4

# SIGNALLING DEVICES



Product	Installation in Zone						Series	Page	WebCode
	0	1	2	20	21	22			
<b>Audible and Visual Signalling Devices</b>									
Combines Audible and Visual Signalling Devices - Flameproof Version; max. 110 dB(A) @ 1 m / 5 J		•	•		•	•	YL6S	802	YL6SA
Combines Audible and Visual Signalling Devices - Flameproof Version; max. 110 dB(A) @ 1 m / 5 J		•	•		•	•	YL60	807	YL60A
Combines Audible and Visual Signalling Devices - intrinsically safe version; max. 100 dB(A) @ 1 m / LED	•	•	•	•	•	•	YL4IS	812	YL4ISA
Combines Audible and Visual Signalling Devices - intrinsically safe version; max. 105 dB(A) @ 1 m / LED	•	•	•	•	•	•	YL5IS	815	YL5ISA
<b>Audible Signalling Devices</b>									
Audible Signalling Devices - Explosion Protected; max. 105 dB(A) @ 1 m		•	•		•	•	8491	837	8491A
Audible Signalling Devices - Flameproof Version; max. 100 dB(A) @ 1 m							YA11	834	YA11A
Audible Signalling Devices - Flameproof Version; max. 110 dB(A) @ 1 m		•	•		•	•	YA6S	827	YA6SA
Audible Signalling Devices - Flameproof Version; max. 110 dB(A) @ 1 m		•	•		•	•	YA60	831	YA60A
Audible Signalling Devices - Flameproof Version; max. 115 dB(A) @ 1 m		•	•		•	•	YA90	824	YA90A
Audible Signalling Devices - Hazardous Area Loudspeaker		•	•		•	•	8494	840	8494A
Audible Signalling Devices - Intrinsically Safe / Ex i Device; max. 100 dB(A) @ 1 m	•	•	•	•	•	•	YO3IS	818	YO3ISA
Audible Signalling Devices - Intrinsically Safe / Ex i Device; max. 100 dB(A) @ 1 m	•	•	•	•	•	•	YO4IS	820	YO4ISA
Audible Signalling Devices - Intrinsically Safe / Ex i Device; max. 105 dB(A) @ 1 m	•	•	•	•	•	•	YO5IS	822	YO5ISA
<b>Control Devices</b>									
Manual Call Point - Flameproof Version		•	•		•	•	MCP	882	MCPA

Product	Installation in Zone						Series	Page	WebCode
	0	1	2	20	21	22			
<b>Visual Signalling Devices</b>									
Visual Signalling Devices - Flameproof Version; LED		•	•		•	•	FX15	849	FX15A
Visual Signalling Devices - Flameproof Version; LED Continuous Beacon	•	•	•	•	•	•	SD40IS	879	SD40ISA
Visual Signalling Devices - Flameproof Version; LED Visual Flashing Signal	•	•	•	•	•	•	FD40IS	876	FD40ISA
Visual Signalling Devices - Flameproof Version; Xenon 5, 10, 20 J		•	•		•	•	FL60	858	FL60B
Visual Signalling Devices - Flameproof Version; Xenon 5 J		•	•		•	•	FL6S	844	FL6SA
Visual Signalling Devices - Flameproof Version; Xenon 5 J		•	•		•	•	FX15	852	FX15B
Visual Signalling Devices - Flameproof Version with Ex e Connection Chamber		•	•		•	•	6161	866	6161A
Visual Signalling Devices - Flameproof Version with Ex e Connection Chamber		•	•		•	•	6162	870	6162A
<b>Accessories and Spare Parts</b>									
Audible and Visual Signalling Devices Series YO3IS, YO4IS, YO5IS, YL4IS, YL5IS, FD40IS, SD40IS								881	
Visual Signalling Devices Series FX15 - Flameproof Version; Xenon 5 J and LED								855	

For additional products and information please refer to [r-stahl.com](http://r-stahl.com)



- Corrosion-resistant, GRP Ex d enclosure
- Omnidirectional sounder max. 110 dB(A) @ 1 m
- 5 Joule xenon strobe
- 3-stage alarm (DC) / 2-stage alarm, operate independently of each other
- Each with 32 selectable tones in accordance with international regulations
- Independent tone selection using a DIL switch for each pitch
- Volume control with 18 dB(A) adjustment
- Xenon strobe with light enhancing fresnel lens
- Flash rate 1 Hz
- IP66 & IP67
- Lightweight (4.4 kg)

WebCode **YL6SA**



## Yodalex Super Series

Product Series YL6S is designed to provide both an audible and visual alarm which can be used to alert, warn or draw attention to machine malfunction/start up or any number of safety related issues. The audible and visual signals can be operated independently or as a combination unit. Corrosion resistance is a key feature of the device which is ideally suited for applications in the harshest of environments both onshore and offshore.

Zone	ATEX / IECEx					
	0	1	2	20	21	22
Installation in		•	•		•	•

### Selection Table

Sound stages:	2
Rated operational voltage AC:	115 – 115 V
Rated operational voltage DC:	–
Rated operational current:	280 mA
Max. ambient temperature:	+40 °C
Gas explosion protection ATEX:	⊕ II 2 G Ex d IIC T5 Gb
Dust explosion protection ATEX:	⊕ II 2 D Ex tb IIIC T95 °C Db
Max. ambient temperature 2:	+55 °C
Gas explosion protection ATEX 2:	⊕ II 2 G Ex d IIC T4 Gb
Dust Explosion Protection ATEX 2:	⊕ II Ex tb IIIC T110 °C
Certificates:	ATEX (BAS), IECEx (BAS)

Lens Colour	Product Type	Art. No.	PS	Weight kg
Amber	YL6S/C-L-050-A-EN-SF-A-ST-00-00-00	225105	80	4.440
Blue	YL6S/C-L-050-B-EN-SF-A-ST-00-00-00	225106	80	4.440
Clear	YL6S/C-L-050-C-EN-SF-A-ST-00-00-00	225101	80	4.440
Green	YL6S/C-L-050-G-EN-SF-A-ST-00-00-00	225107	80	4.440
Magenta	YL6S/C-L-050-M-EN-SF-A-ST-00-00-00	225108	80	4.440
Opal	YL6S/C-L-050-O-EN-SF-A-ST-00-00-00	225102	80	4.440
Red	YL6S/C-L-050-R-EN-SF-A-ST-00-00-00	225104	80	4.440
Yellow	YL6S/C-L-050-Y-EN-SF-A-ST-00-00-00	225103	80	4.440

# Combines Audible and Visual Signalling Devices

Series YL6S - Flameproof Version; max. 110 dB(A) @ 1 m / 5 J

STAHL

Selection Table				
Sound stages:	2			
Rated operational voltage AC:	230 – 230 V			
Rated operational voltage DC:	–			
Rated operational current:	115 mA			
Max. ambient temperature:	+40 °C			
Gas explosion protection ATEX:	Ⓔ II 2 G Ex d IIC T5 Gb			
Dust explosion protection ATEX:	Ⓔ II 2 D Ex tb IIIC T95 °C Db			
Max. ambient temperature 2:	+55 °C			
Gas explosion protection ATEX 2:	Ⓔ II 2 G Ex d IIC T4 Gb			
Dust Explosion Protection ATEX 2:	Ⓔ II Ex tb IIIC T110 °C			
Certificates:	ATEX (BAS), IECEx (BAS)			
Lens Colour	Product Type	Art. No.	PS	Weight kg
Amber	YL6S/C-N-050-A-EN-SF-A-ST-00-00-00	225113	80	4.440
Blue	YL6S/C-N-050-B-EN-SF-A-ST-00-00-00	225114	80	4.440
Clear	YL6S/C-N-050-C-EN-SF-A-ST-00-00-00	225109	80	4.440
Green	YL6S/C-N-050-G-EN-SF-A-ST-00-00-00	225115	80	4.440
Magenta	YL6S/C-N-050-M-EN-SF-A-ST-00-00-00	225116	80	4.440
Opal	YL6S/C-N-050-O-EN-SF-A-ST-00-00-00	225110	80	4.440
Red	YL6S/C-N-050-R-EN-SF-A-ST-00-00-00	225112	80	4.440
Yellow	YL6S/C-N-050-Y-EN-SF-A-ST-00-00-00	225111	80	4.440
Sound stages:	3			
Rated operational voltage AC:	–			
Rated operational voltage DC:	24 – 24 V			
Rated operational current:	600 mA			
Max. ambient temperature:	+40 °C			
Gas explosion protection ATEX:	Ⓔ II 2 G Ex d IIC T5 Gb			
Dust explosion protection ATEX:	Ⓔ II 2 D Ex tb IIIC T95 °C Db			
Max. ambient temperature 2:	+55 °C			
Gas explosion protection ATEX 2:	Ⓔ II 2 G Ex d IIC T4 Gb			
Dust Explosion Protection ATEX 2:	Ⓔ II Ex tb IIIC T110 °C			
Certificates:	ATEX (BAS), IECEx (BAS)			
Lens Colour	Product Type	Art. No.	PS	Weight kg
Amber	YL6S/C-D-050-A-EN-SF-A-ST-00-00-00	225076	80	4.440
Blue	YL6S/C-D-050-B-EN-SF-A-ST-00-00-00	225078	80	4.440
Clear	YL6S/C-D-050-C-EN-SF-A-ST-00-00-00	225072	80	4.440
Green	YL6S/C-D-050-G-EN-SF-A-ST-00-00-00	225079	80	4.440
Magenta	YL6S/C-D-050-M-EN-SF-A-ST-00-00-00	225080	80	4.440
Opal	YL6S/C-D-050-O-EN-SF-A-ST-00-00-00	225073	80	4.440
Red	YL6S/C-D-050-R-EN-SF-A-ST-00-00-00	225075	80	4.440
Yellow	YL6S/C-D-050-Y-EN-SF-A-ST-00-00-00	225074	80	4.440
Sound stages:	3			
Rated operational voltage AC:	–			
Rated operational voltage DC:	24 – 24 V			
Rated operational current:	600 mA			
Max. ambient temperature:	+40 °C			
Gas explosion protection ATEX:	–			
Dust explosion protection ATEX:	–			
Max. ambient temperature 2:	+55 °C			
Gas explosion protection ATEX 2:	–			
Dust Explosion Protection ATEX 2:	–			
Certificates:	EAC (Sertium), Russian Federation (TPB SER)			
Lens Colour	Product Type	Art. No.	PS	Weight kg
Red	YL6S/C-D-050-R-RU-SF-A-ST-00-00-00	262796	80	4.440

E5

## Selection Table

Sound stages:	3
Rated operational voltage AC:	-
Rated operational voltage DC:	48 – 48 V
Rated operational current:	420 mA
Max. ambient temperature:	+40 °C
Gas explosion protection ATEX:	Ⓜ II 2 G Ex d IIC T5 Gb
Dust explosion protection ATEX:	Ⓜ II 2 D Ex tb IIIC T95 °C Db
Max. ambient temperature 2:	+55 °C
Gas explosion protection ATEX 2:	Ⓜ II 2 G Ex d IIC T4 Gb
Dust Explosion Protection ATEX 2:	Ⓜ II Ex tb IIIC T110 °C
Certificates:	ATEX (BAS), IECEx (BAS)

Lens Colour	Product Type	Art. No.	PS	Weight kg
Amber	YL6S/C-F-050-A-EN-SF-A-ST-00-00-00	225087	80	4.440
Blue	YL6S/C-F-050-B-EN-SF-A-ST-00-00-00	225088	80	4.440
Clear	YL6S/C-F-050-C-EN-SF-A-ST-00-00-00	225081	80	4.440
Green	YL6S/C-F-050-G-EN-SF-A-ST-00-00-00	225089	80	4.440
Magenta	YL6S/C-F-050-M-EN-SF-A-ST-00-00-00	225090	80	4.440
Opal	YL6S/C-F-050-O-EN-SF-A-ST-00-00-00	225083	80	4.440
Red	YL6S/C-F-050-R-EN-SF-A-ST-00-00-00	225086	80	4.440
Yellow	YL6S/C-F-050-Y-EN-SF-A-ST-00-00-00	225084	80	4.440

Additional gas group variants and local certifications are available; please use the selection table online at [r-stahl.com](http://r-stahl.com). WebCode YL6SA  
The tone table can be found online at [r-stahl.com](http://r-stahl.com).

## Technical Data

### Explosion Protection

Certificate IECEX Gas	IECEX BAS 14.0064
Certificate ATEX Gas	Baseefa 14 ATEX 0126
Certificate IECEX Dust	IECEX BAS 14.0064
Certificate ATEX Dust	Baseefa 14 ATEX 0126

### Electrical Data

Line monitoring	Yes
Tolerance	-10 – 10 %

### Acoustic Data

Sound pressure level	max. 110 dB(A) @ 1m
Sound selection	via DIL switch
Volume control	18 dB (A) adjustment

### Ambient Conditions

Operating temperature min.	-50 °C
Min. ambient temperature	-60 °C

### Lighting Data

Lamps	Xenon flash tube
Beacon	5 J
Flash rate	1 Hz

### Mechanical Data

Type of protec. IP (IEC 60529)	IP66/IP67
Enclosure material	Polyester, glass fibre-reinforced
Material Fixing elements	Stainless steel
Trumpet material	ABS, flame retardant
Material Dome	Polycarbonate, prismatic
Material wire guard	Stainless steel

# Combines Audible and Visual Signalling Devices

Series YL6S - Flameproof Version; max. 110 dB(A) @ 1 m / 5 J

STAHL

## Technical Data

### Mechanical Data

Connection terminals solid max.	2.5 mm <sup>2</sup>
Connection terminals finely-stranded max.	2.5 mm <sup>2</sup>

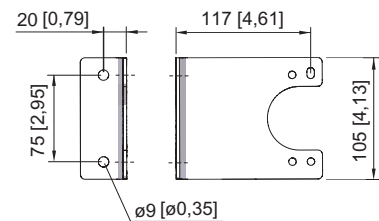
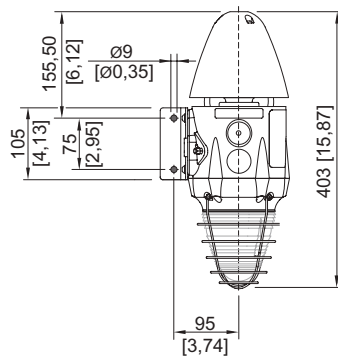
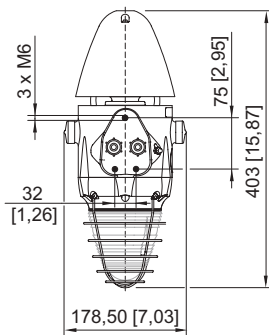
### Components

Drilled hole	2 x M20
Plug	2 x dust cap

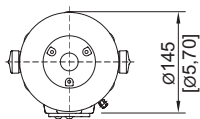
You can find more technical data online at [r-stahl.com](http://r-stahl.com). WebCode YL6SA

A lens wire guard (VA) and bracket (VA) are supplied as standard.

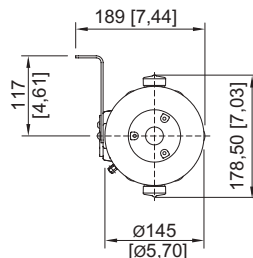
## Dimensional Drawings (All Dimensions in mm [inches]) – Subject to Alterations



L-Bracket






GRP  
Combination Signal Series YL6S without L-Bracket







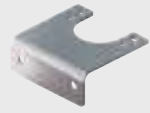
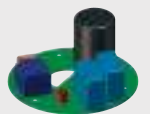
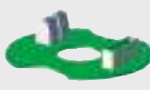

GRP Combination Signal Series YL6S with L-Bracket

## Accessories and Spare Parts

Figure	Description	Art. No.	PS	Weight kg
Cable glands made of metal				
	Ex d & Ex e cable gland for all types of unarmoured and braid armour cables (nickel plated brass)	243464	10	0.070
	Ex d & Ex e Compound barrier cable gland for all types of armoured cables (SWA, braided, tape) (nickel plated brass)	109428	10	0.240
	RapidEx liquid pour sealing system Cable entry with compound CMP-20PX2K-REX KLE MsNi M20 for reinforced conductors	246649	10	0.240

E5

## Accessories and Spare Parts

Figure	Description	Art. No.	PS	Weight kg
<b>Cable glands made of metal</b>				
	Ex d & Ex e Compound barrier cable gland for all types of unarmoured and braid armour cables (nickel plated brass)	109441	10	0.200
	RapidEx liquid pour sealing system Cable entry with compound CMP-20PXSS2K-REX KLE MsNi M20	246605	10	0.200
	Ex d & Ex e cable gland for all types of armoured cables (SWA, braided, tape) (nickel plated brass) with unique compensating displacement seal system (CDS)	246561	10	0.280
<b>Flange</b>				
	Flange assembly standard, amber	243407	80	1.190
	Flange assembly standard, blue	243406	80	1.190
	Flange assembly standard, clear	223578	80	1.190
	Flange assembly standard, green	243405	80	1.190
	Flange assembly standard, magenta	243404	80	1.190
	Flange assembly standard, red	243408	80	1.190
	Flange assembly standard, opal	243410	80	1.190
	Flange assembly standard, yellow	243409	80	1.190
<b>Mounting accessories</b>				
	Bracket assembly kit accessories made of stainless steel; long version	247371	80	0.280
<b>PCB</b>				
	PCB assembly 110 V AC 5J, for 5 Joule Xenon flashing beacons	223632	80	0.118
	PCB assembly 230 V AC 5J, for 5 Joule Xenon flashing beacons	223580	80	0.100
	PCB assembly 24 V DC 5J, for 5 Joule Xenon flashing beacons	223635	80	0.080
	PCB assembly 48 V DC 5J, for 5 Joule Xenon flashing beacons	223634	80	0.080
<b>PCB termination</b>				
	PCB assembly termination, for 5 Joule Xenon beacon only	223579	80	0.020
<b>Xenon tube</b>				
	Replacement xenon tube assembly	223636	80	0.006



- Ex d enclosure made from seawater-resistant aluminium
- Omnidirectional high output sounder 110 dB(A) @ 1 m
- 5 Joule xenon strobe
- 2 stage alarm, independently selectable 2nd stage
- Each with 32 selectable tones in accordance with international regulations
- Independent tone selection using a DIL switch for each pitch
- Aluminium enclosure with stainless steel fasteners
- Flash rate 1 per second
- IP66 rated as standard / NEMA 4X (for UL variants)
- Telephone initiate option available

WebCode **YL60A**



### Yodalex range

Product Series YL60 is designed to provide both an audible and visual alarm which can be used to alert, warn or draw attention to machine malfunction/start up or any number of safety related issues in hazardous areas. The audible and visual signals can be operated independently or as a combination unit.

Zone	ATEX / IECEx					
	0	1	2	20	21	22
Ex interface						
Installation in	•	•		•	•	

Zone	NEC 505			NEC 506		
	Class I					
Zone	0	1	2	20	21	22
Ex interface		•	•		•	•
Installation in	•	•		•	•	

Division	NEC 500					
	Class I		Class II		Class III	
Division	1	2	1	2	1	2
Ex interface	•	•	•	•		
Installation in	•	•	•	•		

### Selection Table

Certificates:	ATEX (BAS), Brazil (ULB), IECEx (BAS), SIL (exida), Taiwan (ITRI)
Certificate ATEX Gas:	Baseefa 02 ATEX 0222 X
Certificate ATEX Dust:	Baseefa 02 ATEX 0222 X
Certificate IECEx Gas:	IECEx BAS 05.0087X
Certificate IECEx Dust:	IECEx BAS 05.0087X
Ambient temperature °C:	-20 ... +40 °C
Gas explosion protection ATEX:	⊕ II 2 G Ex d IIB+H2 T6 Gb
Dust explosion protection ATEX:	⊕ II 2 D Ex tb IIIC T85 °C Db
Ship approval:	ABS
Plug:	1 x M20 x 1,5 1 x dust cap

Rated operational voltage AC	Rated operational voltage DC	Rated operational current	Lens Colour	Product Type	Art. No.	PS	Weight kg
115 – 115 V	–	200 mA	Amber	YL60/C/L50/A/EU	205267 ▲	80	6.000
	–	200 mA	Blue	YL60/C/L50/B/EU	205268	80	6.000
	–	200 mA	Green	YL60/C/L50/G/EU	205269	80	6.000
	–	200 mA	Opal	YL60/C/L50/O/EU	205270	80	6.000
	–	200 mA	Red	YL60/C/L50/R/EU	205271 ▲	80	6.000
	–	200 mA	Yellow	YL60/C/L50/Y/EU	205464	80	6.000

E5

## Selection Table

Certificates:	ATEX (BAS), Brazil (ULB), IECEx (BAS), SIL (exida), Taiwan (ITRI)
Certificate ATEX Gas:	Baseefa 02 ATEX 0222 X
Certificate ATEX Dust:	Baseefa 02 ATEX 0222 X
Certificate IECEx Gas:	IECEX BAS 05.0087X
Certificate IECEx Dust:	IECEX BAS 05.0087X
Ambient temperature °C:	-20 ... +40 °C
Gas explosion protection ATEX:	Ⓔ II 2 G Ex d IIB+H2 T6 Gb
Dust explosion protection ATEX:	Ⓔ II 2 D Ex tb IIIC T85 °C Db
Ship approval:	ABS
Plug:	1 x M20 x 1,5 1 x dust cap

Rated operational voltage AC	Rated operational voltage DC	Rated operational current	Lens Colour	Product Type	Art. No.	PS	Weight kg
230 – 230 V	–	100 mA	Amber	YL60/C/N50/A/EU	205273 ▲	80	6.000
	–	100 mA	Blue	YL60/C/N50/B/EU	205277	80	6.000
	–	100 mA	Clear	YL60/C/N50/C/EU	205279	80	6.000
	–	100 mA	Opal	YL60/C/N50/O/EU	205281	80	6.000
	–	100 mA	Red	YL60/C/N50/R/EU	205282 ▲	80	6.000
	–	100 mA	Yellow	YL60/C/N50/Y/EU	205285	80	6.000
–	24 – 24 V	570 mA	Amber	YL60/C/D50/A/EU	205250 ▲	80	6.000
	24 – 24 V	570 mA	Blue	YL60/C/D50/B/EU	205252	80	6.000
	24 – 24 V	570 mA	Clear	YL60/C/D50/C/EU	205254	80	6.000
	24 – 24 V	570 mA	Green	YL60/C/D50/G/EU	205256	80	6.000
	24 – 24 V	570 mA	Red	YL60/C/D50/R/EU	205257 ▲	80	6.000
	24 – 24 V	570 mA	Yellow	YL60/C/D50/Y/EU	206950	80	6.000

Certificates:	EAC (TehnoP), Russian Federation (TPB SER)
Certificate ATEX Gas:	–
Certificate ATEX Dust:	–
Certificate IECEx Gas:	–
Certificate IECEx Dust:	–
Ambient temperature °C:	-20 ... +40 °C
Gas explosion protection ATEX:	–
Dust explosion protection ATEX:	–
Ship approval:	–
Plug:	1 x M20 x 1,5 1 x dust cap

Rated operational voltage AC	Rated operational voltage DC	Rated operational current	Lens Colour	Product Type	Art. No.	PS	Weight kg
115 – 115 V	–	200 mA	Amber	YL60/C/L50/A/RU	212390	80	6.000
	–	200 mA	Red	YL60/C/L50/R/RU	205272	80	6.000
230 – 230 V	–	100 mA	Amber	YL60/C/N50/A/RU	212391	80	6.000
	–	100 mA	Red	YL60/C/N50/R/RU	212392	80	6.000
	–	100 mA	Yellow	YL60/C/N50/Y/RU	217988	80	6.000
–	24 – 24 V	570 mA	Amber	YL60/C/D50/A/RU	212389	80	6.000
	24 – 24 V	570 mA	Blue	YL60/C/D50/B/RU	262033	80	6.000
	24 – 24 V	570 mA	Red	YL60/C/D50/R/RU	205265	80	6.000

E5

# Combines Audible and Visual Signalling Devices

Series YL60 - Flameproof Version; max. 110 dB(A) @ 1 m / 5 J

STAHL

## Selection Table

Certificates:	USA (UL)
Certificate ATEX Gas:	Baseefa 02 ATEX 0222 X
Certificate ATEX Dust:	Baseefa 02 ATEX 0222 X
Certificate IECEX Gas:	IECEX BAS 05.0087X
Certificate IECEX Dust:	IECEX BAS 05.0087X
Ambient temperature °C:	-20 ... +60 °C
Gas explosion protection ATEX:	Ⓔ II 2 G Ex d IIB+H2 T4 Gb
Dust explosion protection ATEX:	Ⓔ II 2 D Ex tb IIIC T135 °C Db
Ship approval:	-
Plug:	2x1/2"NPT adapters M20x1/2"NPT

Rated operational voltage AC	Rated operational voltage DC	Rated operational current	Lens Colour	Product Type	Art. No.	PS	Weight kg
115 – 115 V	-	200 mA	Amber	YL60/B/L50/A/UL	205568	80	6.000
	-	200 mA	Blue	YL60/B/L50/B/UL	205298	80	6.000
	-	200 mA	Clear	YL60/B/L50/C/UL	224224	80	6.000
	-	200 mA	Green	YL60/B/L50/G/UL	239987	80	6.000
	-	200 mA	Red	YL60/B/L50/R/UL	205299	80	6.000
	-	200 mA	Yellow	YL60/B/L50/Y/UL	211815	80	6.000
230 – 230 V	-	100 mA	Amber	YL60/B/N50/A/UL	205301	80	6.000
	-	100 mA	Clear	YL60/B/N50/C/UL	250450	80	6.000
	-	100 mA	Green	YL60/B/N50/G/UL	209044	80	6.000
	-	100 mA	Red	YL60/B/N50/R/UL	212386	80	6.000
	-	100 mA	Yellow	YL60/B/N50/Y/UL	224680	80	6.000
-	24 – 24 V	570 mA	Amber	YL60/B/D50/A/UL	205287	80	6.000
	24 – 24 V	570 mA	Blue	YL60/B/D50/B/UL	205289	80	6.000
	24 – 24 V	570 mA	Clear	YL60/B/D50/C/UL	205291	80	6.000
	24 – 24 V	570 mA	Green	YL60/B/D50/G/UL	214636	80	6.000
	24 – 24 V	570 mA	Red	YL60/B/D50/R/UL	205293	80	6.000
	24 – 24 V	570 mA	Yellow	YL60/B/D50/Y/UL	205297	80	6.000

## Technical Data

### Acoustic Data

Sound pressure level	max. 110 dB(A) @ 1m
Sound selection	via DIL switch
Sound stages	2

### Lighting Data

Lamps	Xenon flash tube
Beacon	5 J
Flash rate	1 Hz

### Mechanical Data

Type of protec. IP (IEC 60529)	IP66
Enclosure material	Aluminium, powder coated, seawater resistant
Enclosure colour	red normal
Material Fixing elements	Sheet steel, powder-coated
Trumpet material	ABS, flame retardant
Material Dome	Polycarbonate
Material wire guard	mild steel rod, galvanized
Connection terminals solid max.	2.5 mm <sup>2</sup>
Connection terminals finely-stranded max.	2.5 mm <sup>2</sup>

### Mounting / Installation

Connection type	Screw terminal
-----------------	----------------

E5

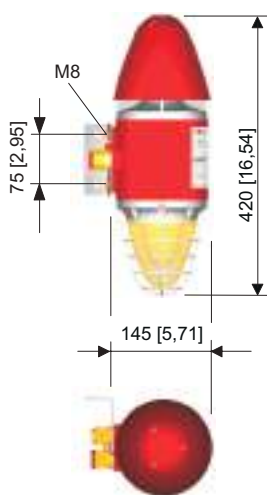
## Technical Data

### Components

Drilled hole	2 x M20
Cable entry	to be ordered as accessory
Material stopping plug	Brass

You can find more technical data online at [r-stahl.com](http://r-stahl.com). WebCode YL60A

## Dimensional Drawings (All Dimensions in mm [inches]) – Subject to Alterations



## Accessories and Spare Parts

Figure	Description	Art. No.	PS	Weight kg
<b>Cable glands</b>				
	Ex e adapter for ATEX - 20 °C to +50/60 °C	264252	A7	0.270
<b>Cable glands made of metal</b>				
	Ex d & Ex e cable gland for all types of unarmoured and braid armour cables (nickel plated brass)	243464	10	0.070
	Ex d & Ex e Compound barrier cable gland for all types of armoured cables (SWA, braided, tape) (nickel plated brass)	109428	10	0.240
	RapidEx liquid pour sealing system Cable entry with compound CMP-20PX2K-REX KLE MsNi M20 for reinforced conductors	246649	10	0.240
	Ex d & Ex e Compound barrier cable gland for all types of unarmoured and braid armour cables (nickel plated brass)	109441	10	0.200
	RapidEx liquid pour sealing system Cable entry with compound CMP-20PXSS2K-REX KLE MsNi M20	246605	10	0.200
	Ex d & Ex e cable gland for all types of armoured cables (SWA, braided, tape) (nickel plated brass) with unique compensating displacement seal system (CDS)	246561	10	0.280

E5