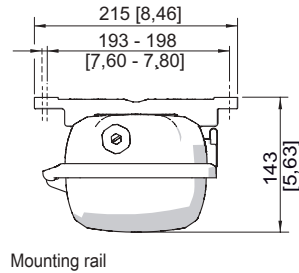
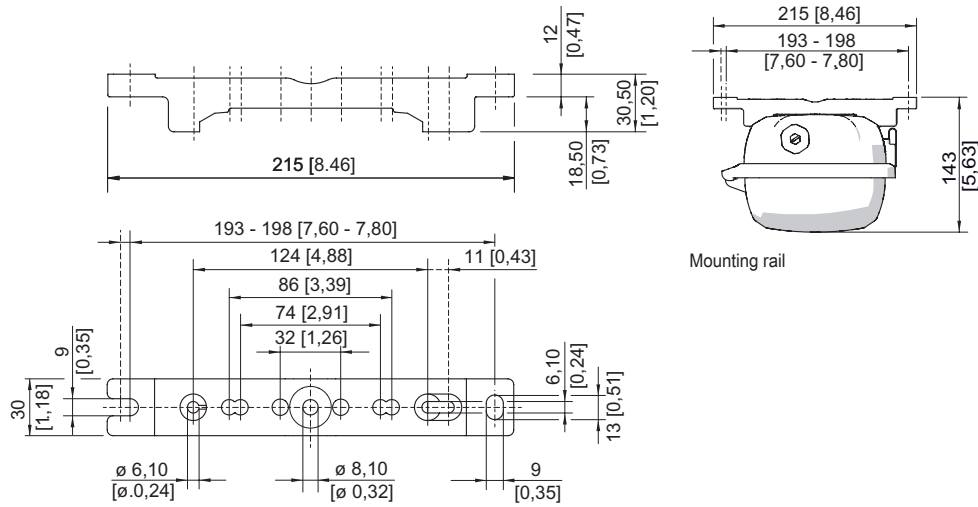


# Linear Luminaire for Fluorescent Lamps EXLUX

Series 6001, 6002, 6006, 6009, 6401, 6402, L402, 6409 Mounting

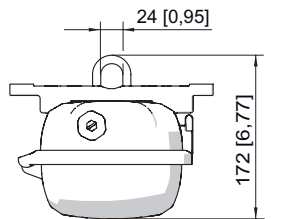


Dimensional Drawings (All Dimensions in mm [inches]) – Subject to Alterations

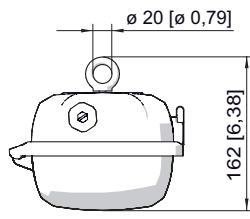


Mounting rail

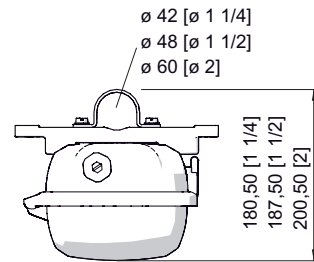
Mounting rail



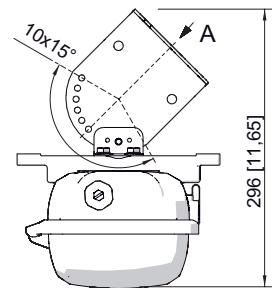
Mounting bracket fitted in mounting rail



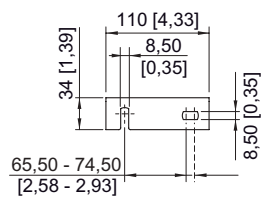
Ring bolt fitted in insert nut of the luminaire



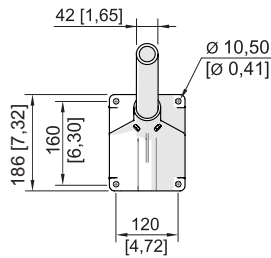
Pipe clamp fitted in mounting rail



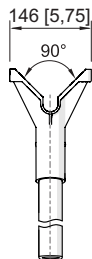
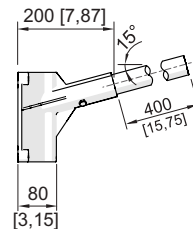
A



Wall mounting bracket fitted in mounting rail



Bracket for wall mounting with pipe section



E2



- Extra flat version for low mounting depth
- For use in Zones 1 & 2, 21 & 22
- Latest LED technology with a high luminous efficacy and a long service life
- Powder-coated sheet-steel or brushed stainless steel
- Central lock

WebCode 6012C



Series 6012 light fittings are preferred for use in spraying, painting and clean room installations.

E2

	ATEX / IECEx					
Zone	0	1	2	20	21	22
Installation in		•	•		•	•

Selection Table						
Design size:		2				
Lamp wattage:		28 W				
Enclosure material:		Sheet steel, powder-coated				
Drilled hole:		3 x M25				
Material of cable entry:		polyamide black				
Colour temperature	Colour Rendering	Luminous flux	Product Type	Art. No.	PS	Weight kg
5000 K	≥ 80	2200 lm	6012/5114-2540-051-3111-00	260325	64	11.100
5700 K	≥ 70	2350 lm	6012/5114-2540-051-3111-01	260333	64	11.100
Design size:		2				
Lamp wattage:		28 W				
Enclosure material:		Stainless steel 1.4404				
Drilled hole:		3 x M25				
Material of cable entry:		polyamide black				
Colour temperature	Colour Rendering	Luminous flux	Product Type	Art. No.	PS	Weight kg
5000 K	≥ 80	2200 lm	6012/5114-2540-051-3141-00	260329	64	11.190
5700 K	≥ 70	2350 lm	6012/5114-2540-151-3141-01	260337	64	11.190
Design size:		4				
Lamp wattage:		52 W				
Enclosure material:		Sheet steel, powder-coated				
Drilled hole:		3 x M25				
Material of cable entry:		polyamide black				
Colour temperature	Colour Rendering	Luminous flux	Product Type	Art. No.	PS	Weight kg
5000 K	≥ 80	4300 lm	6012/5124-4540-051-3111-00	260341	64	17.900
5700 K	≥ 70	4600 lm	6012/5124-4540-051-3111-01	260349	64	17.900

# Linear Luminaire with LED

## Series 6012/5 Made of Sheet Steel or Stainless Steel

**STAHL**

### Selection Table

Design size:	4
Lamp wattage:	52 W
Enclosure material:	Stainless steel 1.4404
Drilled hole:	3 x M25
Material of cable entry:	polyamide black

Colour temperature	Color Rendering	Luminous flux	Product Type	Art. No.	PS	Weight kg
5000 K	≥ 80	4300 lm	6012/5124-4540-051-3141-00	260345	64	18.060
5700 K	≥ 70	4600 lm	6012/5124-4540-151-3141-01	260353	64	18.060

The light fittings are supplied without lamps or mounting material.  
 To use the product as a recessed light fitting, a special recessed installation frame is required (in addition to the mounting material).  
 These parts must be ordered as accessories (see page 560).  
 Cable entry (2 x M25 Ø 7 – 17 mm) and stopping plugs (1 x M25 x 1,5) made from moulded material are included loose with the product (installation required).

### Technical Data

#### Explosion Protection

Certificate IECEX Gas	IECEX BVS 15.0106 X
Certificate ATEX Gas	BVS 15 ATEX E 126 X
Certificate IECEX Dust	IECEX BVS 15.0106 X
Certificate ATEX Dust	BVS 15 ATEX E 126 X
Ambient temperature °C	-40 ... +55 °C
Gas explosion protection IECEX	Ex db eb IIB T6 Gb
Gas explosion protection ATEX	⊕ II 2 G Ex db eb IIB T6 Gb
Dust explosion protection IECEX	Ex tb IIIC T80 °C Db
Dust explosion protection ATEX	⊕ II 2 D Ex tb IIIC T80 °C Db
Certificates	ATEX (BVS), IECEX (BVS)

#### Electrical Data

Rated operational voltage AC	110 – 240 V
Rated operational voltage DC	110 – 250 V
Frequency range	50 – 60 Hz

#### Lighting Data

Lamps	LED
-------	-----

#### Mechanical Data

Type of protec. IP (IEC 60598)	IP65
Protection class	I (internal PE connection)
Diffusor	with Diffusor
Gasket material	Silicone
Lens material	Safety glass
Installed terminal strip	PE + N + L1 + L2 + L3
Connection terminals solid max.	4 mm <sup>2</sup>
Type of connection line	solid finely-stranded
Enclosure colour	white, RAL 9016
Notes	Connection terminals: Spring clamp terminal

#### Components

Through wiring	with 5 conductors 2.5 mm <sup>2</sup>
----------------	---------------------------------------

Accessories and spare parts see page 560

Dimensional drawings see page 546

**E2**



- Extra flat version for low mounting depth
- For use in Zones 2, 21 & 22
- Latest LED technology with a high luminous efficacy and a long service life
- Powder-coated sheet-steel or brushed stainless steel
- Central lock

WebCode 6412C



Series 6412 light fittings are preferred for use in spraying, painting and clean room installations.

E2

	ATEX / IECEx					
Zone	0	1	2	20	21	22
Installation in			•		•	•

Selection Table						
Design size:		2				
Lamp wattage:		28 W				
Enclosure material:		Sheet steel, powder-coated				
Drilled hole:		3 x M25				
Material of cable entry:		polyamide black				
Colour temperature	Colour Rendering	Luminous flux	Product Type	Art. No.	PS	Weight kg
5000 K	≥ 80	2400 lm	6412/5114-2550-5131-1100	260242	64	10.100
5700 K	≥ 70	2600 lm	6412/5114-2550-5131-1101	260255	64	10.100
Design size:		2				
Lamp wattage:		28 W				
Enclosure material:		Stainless steel 1.4404				
Drilled hole:		3 x M25				
Material of cable entry:		polyamide black				
Colour temperature	Colour Rendering	Luminous flux	Product Type	Art. No.	PS	Weight kg
5000 K	≥ 80	2400 lm	6412/5114-2550-5131-4100	260246	64	10.200
5700 K	≥ 70	2600 lm	6412/5114-2550-5131-4101	260259	64	10.200
Design size:		4				
Lamp wattage:		52 W				
Enclosure material:		Sheet steel, powder-coated				
Drilled hole:		3 x M25				
Material of cable entry:		polyamide black				
Colour temperature	Colour Rendering	Luminous flux	Product Type	Art. No.	PS	Weight kg
5000 K	≥ 80	4850 lm	6412/5124-4550-5131-1100	260263	64	17.000
5700 K	≥ 70	5200 lm	6412/5124-4550-5131-1101	260271	64	17.000

# Linear Luminaire with LED

## Series 6412/5 Made of Sheet Steel or Stainless Steel

**STAHL**

### Selection Table

Design size:	4
Lamp wattage:	52 W
Enclosure material:	Stainless steel 1.4404
Drilled hole:	3 x M25
Material of cable entry:	polyamide black

Colour temperature	Color Rendering	Luminous flux	Product Type	Art. No.	PS	Weight kg
5000 K	≥ 80	4850 lm	6412/5124-4550-5131-4100	260267	64	17.161
5700 K	≥ 70	5200 lm	6412/5124-4550-5131-4101	260275	64	17.161

The light fittings are supplied without lamps or mounting material.  
 To use the product as a recessed light fitting, a special recessed installation frame is required (in addition to the mounting material).  
 These parts must be ordered as accessories (see page 560).  
 Cable entry (2 x M25 Ø 7 – 17 mm) and stopping plugs (1 x M25 x 1,5) made from moulded material are included loose with the product (installation required).

### Technical Data

#### Explosion Protection

Certificate IECEX Gas	IECEX BVS 15.0106X
Certificate ATEX Gas	BVS 15 ATEX E 126 X
Certificate IECEX Dust	IECEX BVS 15.0106X
Certificate ATEX Dust	BVS 15 ATEX E 126 X
Ambient temperature °C	-40 ... +60 °C
Gas explosion protection IECEX	Ex nA IIC T4 Gc
Gas explosion protection ATEX	⊕ II 3 G Ex nA IIC T4 Gc
Dust explosion protection IECEX	Ex tb IIIC T80 °C Db
Dust explosion protection ATEX	⊕ II 2 D Ex tb IIIC T80 °C Db
Certificates	ATEX (BVS), IECEX (BVS)

#### Electrical Data

Rated operational voltage AC	220 – 240 V
Rated operational voltage DC	220 – 240 V
Frequency range	50 – 60 Hz

#### Lighting Data

Number of Lamps	1
Lamps	LED

#### Mechanical Data

Type of protec. IP (IEC 60598)	IP66
Protection class	I (internal PE connection)
Diffusor	with Diffusor
Gasket material	Silicone
Lens material	Safety glass
Installed terminal strip	PE + N + L1 + L2 + L3
Connection terminals solid max.	4 mm <sup>2</sup>
Type of connection line	finely-stranded solid
Enclosure colour	white, RAL 9016
Notes	Connection terminals: Spring clamp terminal

#### Components

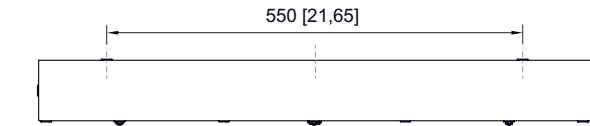
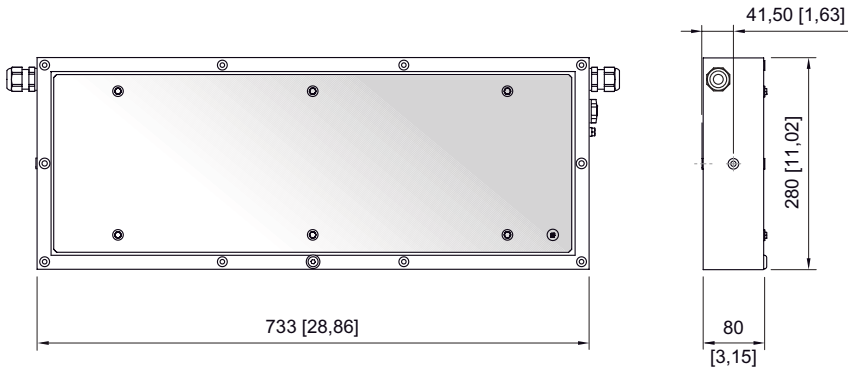
Through wiring	with 5 conductors 2.5 mm <sup>2</sup>
----------------	---------------------------------------

Accessories and spare parts see page 560

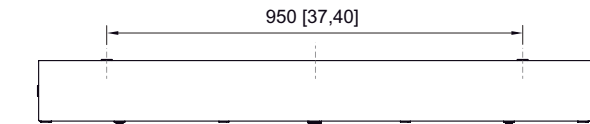
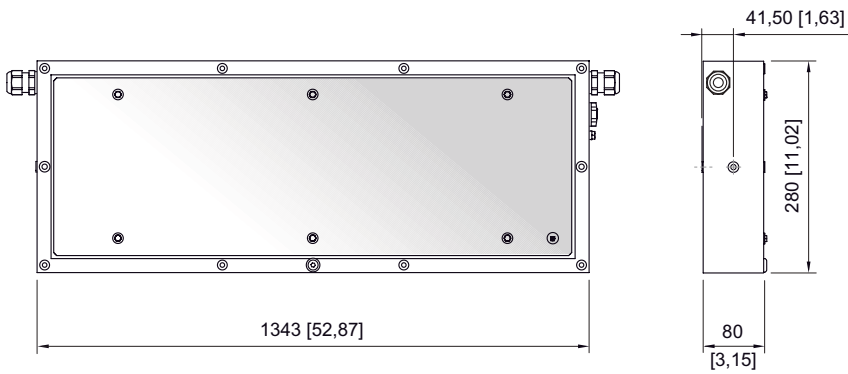
Dimensional drawings see page 546

**E2**

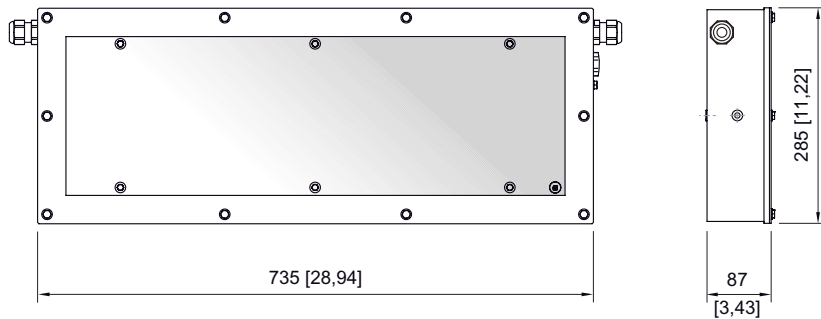
Dimensional Drawings (All Dimensions in mm [inches]) – Subject to Alterations



Light Fitting universal Size 2

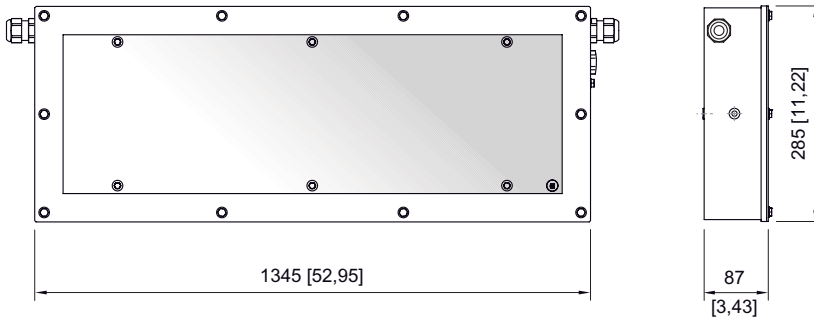


Light Fitting universal Size 4

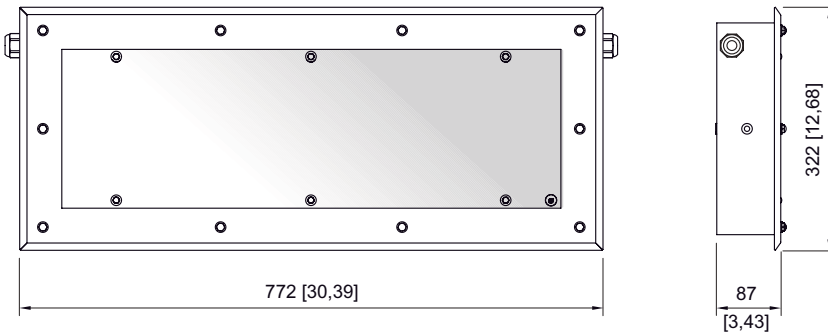


Light Fitting universal with frame for IP66 Size 2

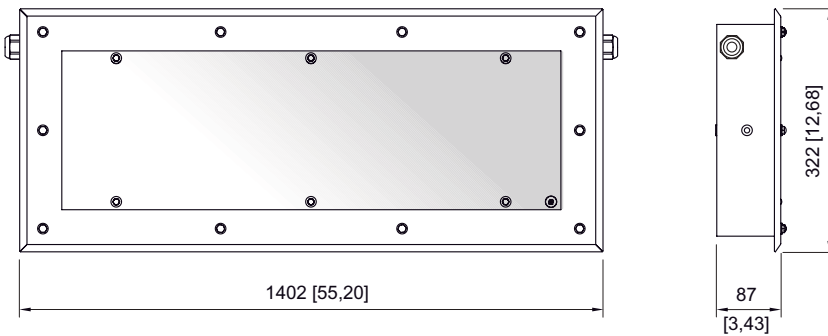
E2



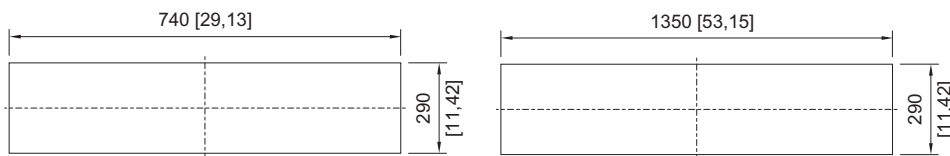
Light Fitting universal with frame for IP66 Size 4



Light Fitting universal with frame for recessed mounting for IP66 Size 2

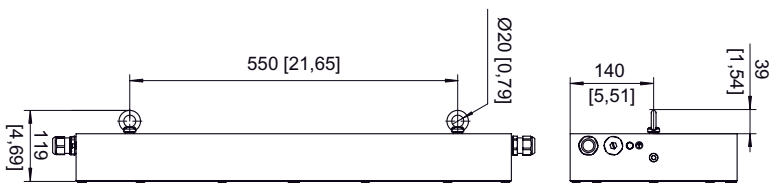


Light Fitting universal with frame for recessed mounting for IP66 Size 4



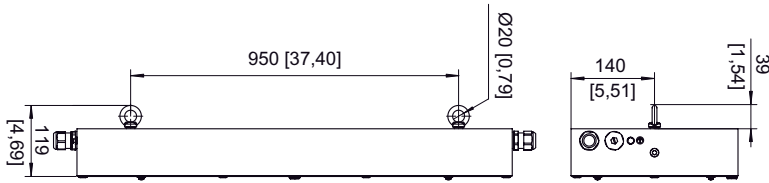
Mounting Cut-Out Size 2

Mounting Cut-Out Size 4

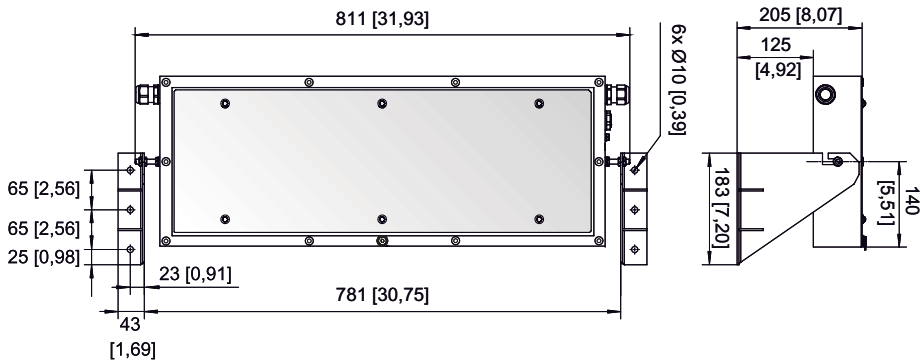


Mounting with ring bolts Size 2

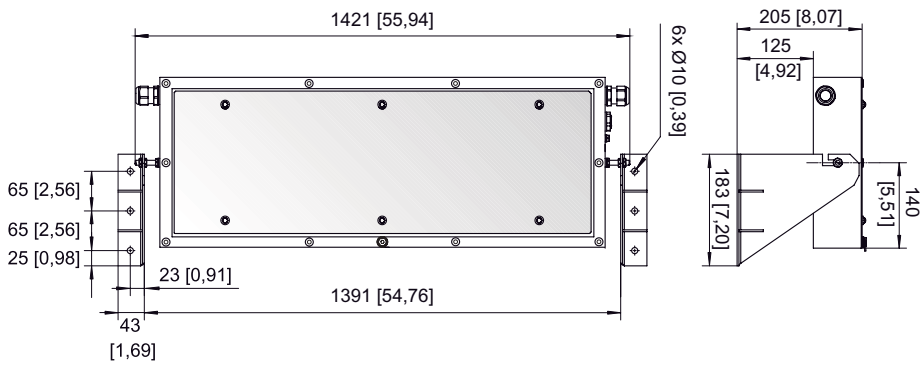
E2



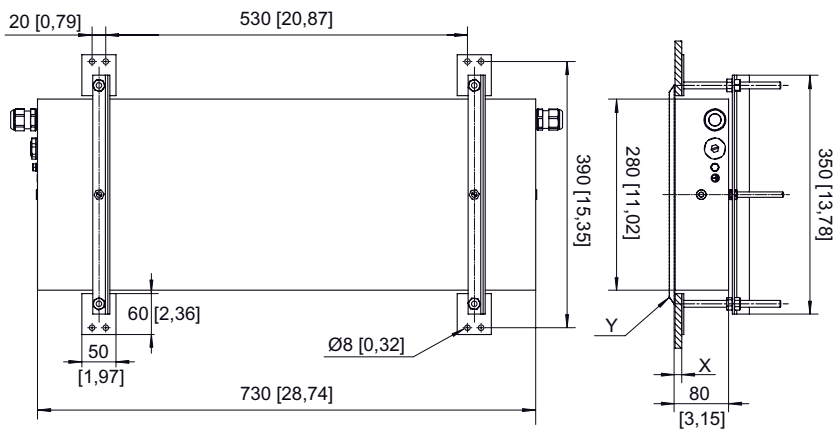
Mounting with ring bolts Size 4



Mounting on wall or ceiling Size 2

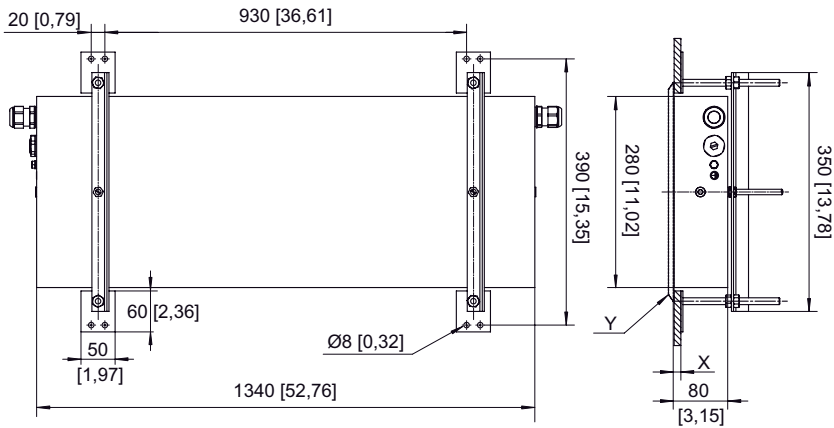


Mounting on wall or ceiling Size 4

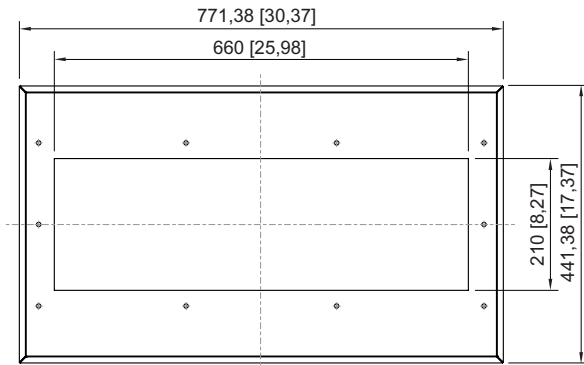


Recessed mounting in wall or ceiling Size 2

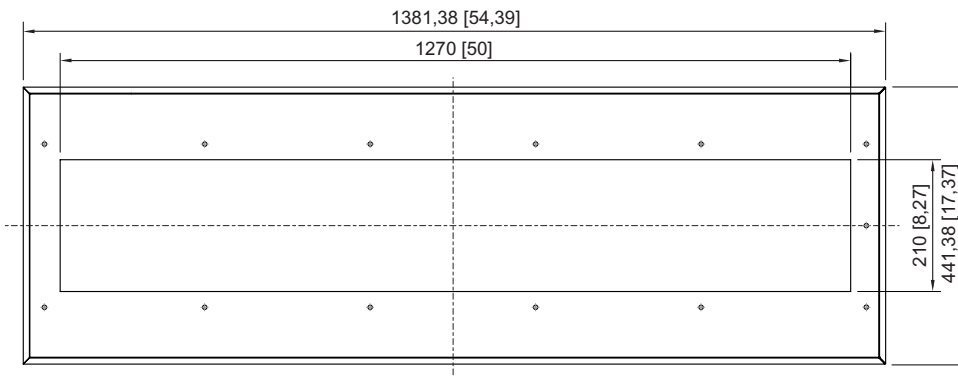
E2



Recessed mounting in wall or ceiling Size 4



Replacement frame Size 2



Replacement frame Size 4

E2



- Extra flat version for low mounting depth
- Can be used in Ex Zones 1, 2, 21 and 22
- Central lock for opening and closing the luminaire, featuring safety switch that disconnects power supply at all poles when luminaire opened
- Enclosure made from powder-coated sheet steel or stainless steel

WebCode 6012A



The 6012 series linear luminaires are robust and require minimal maintenance. They have two or four fluorescent lamps and are suited to applications such as lighting spray and paint lines. Their extremely flat design means that they do not require a deep recess if they are to be built in. With the right accessories, they are easy to install in a wide variety of different ways in no time at all.

E2

	ATEX / IECEx					
Zone	0	1	2	20	21	22
Installation in		•	•		•	•

### Selection Table

Design size:	2				
Lamp wattage:	18 W				
Ambient temperature °C:	-35 ... +60 °C				
Drilled hole:	3 x M25				
Material of cable entry:	polyamide black				
Connection terminals solid max.:	4 mm <sup>2</sup>				
Number of Lamps	Enclosure material	Product Type	Art. No.	PS	Weight kg
2	Sheet steel, powder-coated	6012/1112-2951-1100-11	224800	31	13.110
	Stainless steel 1.4404	6012/1112-2951-1100-14	224802	31	13.250
4	Sheet steel, powder-coated	6012/1122-4951-1100-11	226393	31	16.940
	Stainless steel 1.4404	6012/1122-4951-1100-14	226396	31	17.090
Design size:	4				
Lamp wattage:	36 W				
Ambient temperature °C:	-35 ... +60 °C				
Drilled hole:	3 x M25				
Material of cable entry:	polyamide black				
Connection terminals solid max.:	4 mm <sup>2</sup>				
Number of Lamps	Enclosure material	Product Type	Art. No.	PS	Weight kg
2	Sheet steel, powder-coated	6012/1114-2951-1100-11	224801	31	21.800
	Stainless steel 1.4404	6012/1114-2951-1100-14	224803	31	21.940
4	Sheet steel, powder-coated	6012/1124-4951-1100-11	226394	31	27.470
	Stainless steel 1.4404	6012/1124-4951-1100-14	226397	31	27.630

# Linear Luminaire for Fluorescent Lamps

## Series 6012/1 Made of Sheet Steel or Stainless Steel

**STAHL**

### Selection Table

Design size:	6
Lamp wattage:	58 W
Ambient temperature °C:	-35 ... +50 °C
Drilled hole:	3 x M25
Material of cable entry:	polyamide black
Connection terminals solid max.:	4 mm <sup>2</sup>

Number of Lamps	Enclosure material	Product Type	Art. No.	PS	Weight kg
2	Sheet steel, powder-coated	6012/1116-2951-1100-11	226382	31	26.180
4	Sheet steel, powder-coated	6012/1126-4951-1100-11	226395	31	32.770

The light fittings are supplied without lamps or mounting material.  
 To use the product as a recessed light fitting, a special recessed installation frame is required (in addition to the mounting material).  
 These parts must be ordered as accessories (see page 560).  
 Cable entry (2 x M25 Ø 7 – 17 mm) and stopping plugs (1 x M25 x 1,5) made from moulded material are included loose with the product (installation required).

### Technical Data

#### Explosion Protection

Certificate IECEX Gas	IECEX BVS 14.0049
Certificate ATEX Gas	BVS 14 ATEX E 078
Certificate IECEX Dust	IECEX BVS 14.0049
Certificate ATEX Dust	BVS 14 ATEX E 078
Gas explosion protection IECEX	Ex de IIC T4 Gb
Gas explosion protection ATEX	⊕ II 2 G Ex de IIC T4 Gb
Dust explosion protection IECEX	Ex tb IIIC T80 °C Db
Dust explosion protection ATEX	⊕ II 2 D Ex tb IIIC T80 °C Db
Certificates	ATEX (BVS), EAC (TehnoP), IECEX (BVS)

#### Electrical Data

Rated operational voltage AC	220 – 240 V
Rated operational voltage DC	220 – 240 V
Frequency range	50 – 60 Hz

#### Lighting Data

Lamps	Lamp base G13
-------	---------------

#### Mechanical Data

Type of protec. IP (IEC 60598)	IP65
Protection class	I (internal PE connection)
Gasket material	Silicone
Lens material	Safety glass
Installed terminal strip	PE + N + L1 + L2 + L3
Type of connection line	solid finely-stranded
Enclosure colour	white, RAL 9016
Notes	Connection terminals: Spring clamp terminal

#### Components

Address module	without
Through wiring	with 5 conductors 2.5 mm <sup>2</sup>

Accessoires see page 560

Dimensional drawings see page 554

**E2**



- Extra flat version for low mounting depth
- Can be used in Ex Zones 2, 21 and 22
- Explosion-protected linear luminaire with two or four fluorescent lamps
- Ideal for lighting spray and paint lines

WebCode 6412B



The 6412/11 series luminaire is particularly well suited to lighting spray and paint lines. The extra flat design of the powder-coated sheet steel or stainless steel enclosure means that it does not require a deep recess. It takes no time at all and very little effort to fit, and can be configured as a built-in light, or alternatively, suspended. And thanks to the practical central lock, it is easy to open and close.

E2

	ATEX / IECEx					
Zone	0	1	2	20	21	22
Installation in			•		•	•

### Selection Table

Design size:	2					
Lamp wattage:	18 W					
Ambient temperature °C:	-30 ... +50 °C					
Drilled hole:	3 x M25					
Material of cable entry:	polyamide black					
Connection terminals solid max.:	4 mm <sup>2</sup>					
Number of Lamps	Enclosure material	Product Type	Art. No.	PS	Weight kg	
2	Sheet steel, powder-coated	6412/1112-2851-0100-11	226443	31	11.710	
	Stainless steel 1.4404	6412/1112-2851-0100-14	226446	31	11.850	
4	Sheet steel, powder-coated	6412/1122-4851-0100-11	226458	31	14.200	
	Stainless steel 1.4404	6412/1122-4851-0100-14	226461	31	14.350	
Design size:	4					
Lamp wattage:	36 W					
Ambient temperature °C:	-35 ... +55 °C					
Drilled hole:	3 x M25					
Material of cable entry:	polyamide black					
Connection terminals solid max.:	4 mm <sup>2</sup>					
Number of Lamps	Enclosure material	Product Type	Art. No.	PS	Weight kg	
2	Sheet steel, powder-coated	6412/1114-2851-0100-11	226444	31	20.400	
	Stainless steel 1.4404	6412/1114-2851-0100-14	226447	31	20.540	
4	Sheet steel, powder-coated	6412/1124-4851-0100-11	226459	31	24.730	
	Stainless steel 1.4404	6412/1124-4851-0100-14	248599	31	24.890	

# Linear Luminaire for Fluorescent Lamps

## Series 6412/1 Made of Sheet Steel or Stainless Steel

**STAHL**

### Selection Table

Design size:	6
Lamp wattage:	58 W
Ambient temperature °C:	-30 ... +50 °C
Drilled hole:	3 x M25
Material of cable entry:	polyamide black
Connection terminals solid max.:	4 mm <sup>2</sup>

Number of Lamps	Enclosure material	Product Type	Art. No.	PS	Weight kg
2	Sheet steel, powder-coated	6412/1116-2851-0100-11	226445	31	24.780
4	Sheet steel, powder-coated	6412/1126-4851-0100-11	226460	31	30.030

The light fittings are supplied without lamps or mounting material.  
 To use the product as a recessed light fitting, a special recessed installation frame is required (in addition to the mounting material).  
 These parts must be ordered as accessories (see page 560).  
 Cable entry (2 x M25 x 1.5) and stopping plugs (1 x M25 x 1,5) made from moulded material are included loose with the product (installation required).

### Technical Data

#### Explosion Protection

Certificate IECEX Gas	IECEX BVS 14.0114
Certificate ATEX Gas	BVS 14 ATEX E 163
Certificate IECEX Dust	IECEX BVS 14.0114
Certificate ATEX Dust	BVS 14 ATEX E 160
Gas explosion protection IECEX	Ex nA IIC T4 Gc
Gas explosion protection ATEX	⊕ II 3 G Ex nA IIC T4 Gc
Dust explosion protection IECEX	Ex tb IIIC T80 °C Db
Dust explosion protection ATEX	⊕ II 2 D Ex tb IIIC T80 °C Db
Certificates	ATEX (BVS), IECEX (BVS)

#### Electrical Data

Rated operational voltage AC	220 – 240 V
Rated operational voltage DC	220 – 240 V
Frequency range	50 – 60 Hz

#### Lighting Data

Lamps	Lamp base G13
-------	---------------

#### Mechanical Data

Type of protec. IP (IEC 60598)	IP66
Protection class	I (internal PE connection)
Gasket material	Silicone
Lens material	Safety glass
Installed terminal strip	PE + N + L1 + L2 + L3
Type of connection line	finely-stranded solid
Enclosure colour	white, RAL 9016
Notes	Connection terminals: Spring clamp terminal

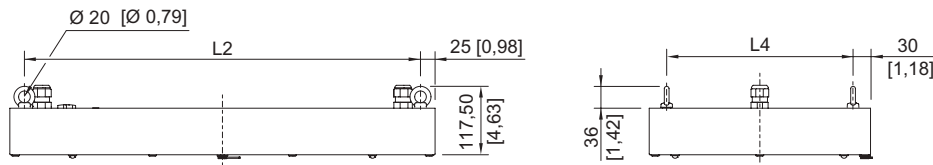
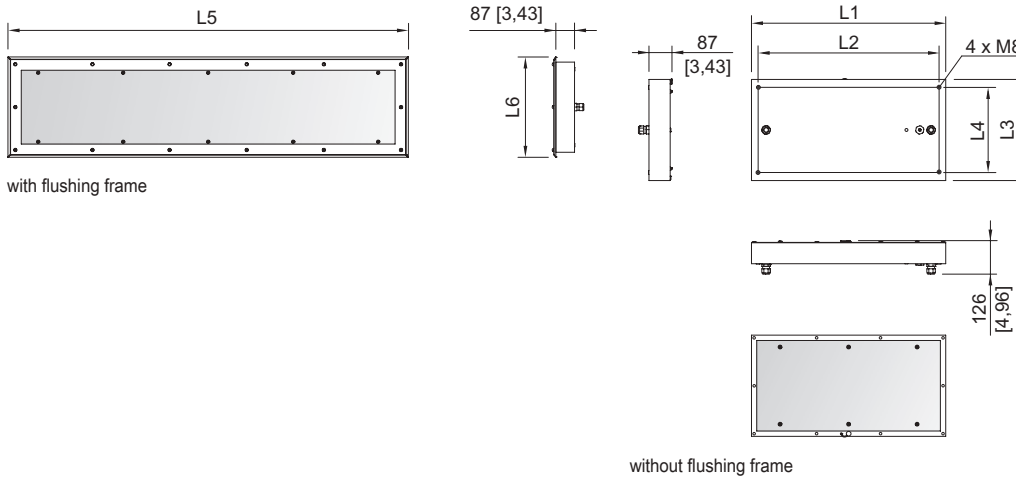
#### Components

Address module	without
Through wiring	with 5 conductors 2.5 mm <sup>2</sup>

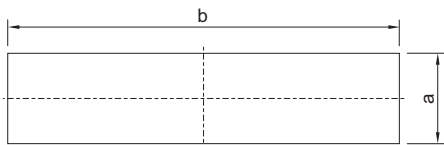
Accessories see page 560  
 Dimensional Drawing see page 554

**E2**

**Dimensional Drawings (All Dimensions in mm [inches]) – Subject to Alterations**



Mounting Cut-Out



Suspension with ring bolts

Lamps	2	4	2	4	2	4	2	4	2	4	2	4	2	4	2	4
	L1		L2		L3		L4		L5		L6		a		b	
Size 2	730 [28.74]		670 [26.38]		380 [14.96]	480 [18.90]	320 [12.60]	420 [16.54]	722 [28.43]		422 [16.61]	522 [16.61]	390 [15.35]	422 [16.61]	740 [29.13]	
Size 4	1340 [52.76]		1280 [50.39]						1382 [54.41]						1682 [66.22]	
Size 6	1640 [64.57]		1580 [62.20]												1650 [64.96]	

E2

# Linear Luminaire for Fluorescent Lamps

Series 6014/1 Made of Sheet Steel or Stainless Steel



- Can be used in Ex Zones 1, 2, 21 and 22
- Central lock for opening and closing the luminaire, featuring safety switch that disconnects power supply at all poles when luminaire opened
- Enclosure made from powder-coated sheet steel or stainless steel

WebCode 6014B



The 6014 series explosion-protected linear luminaires have two or four fluorescent lamps and are suited to applications such as lighting spray and paint lines. You will find that their robust construction means that they require minimal maintenance. With the right accessories, these high-quality luminaires are easy to install in a wide variety of different ways in no time at all.

E2

	ATEX / IECEx					
Zone	0	1	2	20	21	22
Installation in		•	•		•	•

Selection Table						
Design size:	2					
Lamp wattage:	18 W					
Ambient temperature °C:	-35 ... +60 °C					
Drilled hole:	3 x M25					
Material of cable entry:	polyamide black					
Connection terminals solid max.:	4 mm <sup>2</sup>					
Number of Lamps	Enclosure material	Product Type	Art. No.	PS	Weight kg	
2	Sheet steel, powder-coated	6014/1112-2951-1100-11	224786	31	13.160	
	Stainless steel 1.4404	6014/1112-2951-1100-14	224795	31	13.340	
4	Sheet steel, powder-coated	6014/1122-4951-1100-11	226344	31	15.270	
	Stainless steel 1.4404	6014/1122-4951-1100-14	226363	31	15.400	
Design size:	4					
Lamp wattage:	36 W					
Ambient temperature °C:	-35 ... +60 °C					
Drilled hole:	3 x M25					
Material of cable entry:	polyamide black					
Connection terminals solid max.:	4 mm <sup>2</sup>					
Number of Lamps	Enclosure material	Product Type	Art. No.	PS	Weight kg	
2	Sheet steel, powder-coated	6014/1114-2951-1100-11	224787	31	21.520	
	Stainless steel 1.4404	6014/1114-2951-1100-14	224796	31	21.730	
4	Sheet steel, powder-coated	6014/1124-4951-1100-11	226345	31	24.480	
	Stainless steel 1.4404	6014/1124-4951-1100-14	226364	31	24.610	

## Selection Table

Design size:	6
Lamp wattage:	58 W
Ambient temperature °C:	-35 ... +50 °C
Drilled hole:	3 x M25
Material of cable entry:	polyamide black
Connection terminals solid max.:	4 mm <sup>2</sup>

Number of Lamps	Enclosure material	Product Type	Art. No.	PS	Weight kg
2	Sheet steel, powder-coated	6014/1116-2951-1100-11	226333	31	25.770
4	Sheet steel, powder-coated	6014/1126-4951-1100-11	226362	31	29.320

The light fittings are supplied without lamps or mounting material.  
 To use the product as a recessed light fitting, a special recessed installation frame is required (in addition to the mounting material).  
 These parts must be ordered as accessories (see page 560).  
 Cable entry (2xM25 Ø 7–17 mm (1x plug)) and stopping plugs (1 x M25 x 1,5) made from moulded material are included loose with the product (installation required).

## Technical Data

### Explosion Protection

Certificate IECEX Gas	IECEX BVS 13.0110
Certificate ATEX Gas	BVS 13 ATEX E 109
Certificate IECEX Dust	IECEX BVS 13.0110
Certificate ATEX Dust	BVS 13 ATEX E 109
Gas explosion protection IECEX	Ex de IIC T4 Gb
Gas explosion protection ATEX	⊕ II 2 G Ex de IIC T4 Gb
Dust explosion protection IECEX	Ex tb IIIC T80 °C Db
Dust explosion protection ATEX	⊕ II 2 D Ex tb IIIC T80 °C Db
Certificates	ATEX (BVS), EAC (TehnoP), IECEX (BVS), India (PESO)

### Electrical Data

Rated operational voltage AC	220 – 240 V
Rated operational voltage DC	220 – 240 V
Frequency range	50 – 60 Hz

### Lighting Data

Lamps	Lamp base G13
-------	---------------

### Mechanical Data

Type of protec. IP (IEC 60598)	IP65
Protection class	I (internal PE connection)
Gasket material	Silicone
Lens material	Safety glass
Installed terminal strip	PE + N + L1 + L2 + L3
Type of connection line	solid finely-stranded
Enclosure colour	white, RAL 9016
Notes	Connection terminals: Spring clamp terminal

### Components

Address module	without
Through wiring	with 5 conductors 2.5 mm <sup>2</sup>

Accessories see page 560  
 Dimensional drawings see page 559

# Linear Luminaire for Fluorescent Lamps

Series 6414/1 Made of Sheet Steel or Stainless Steel



- Can be used in Ex Zones 2, 21 and 22
- Central lock for opening and closing the luminaire
- Enclosure made from powder-coated sheet steel or stainless steel

WebCode 6414B



The 6414 series explosion-protected linear luminaires have two or four fluorescent lamps and are suited to applications such as lighting spray and paint lines. You will find that their robust construction means that they require minimal maintenance. With the right accessories, these high-quality luminaires are easy to install in a wide variety of different ways in no time at all.

E2

	ATEX / IECEx					
Zone	0	1	2	20	21	22
Installation in			•		•	•

Selection Table						
Design size:	2					
Lamp wattage:	18 W					
Ambient temperature °C:	-30 ... +50 °C					
Drilled hole:	3 x M25					
Material of cable entry:	polyamide black					
Connection terminals solid max.:	4 mm <sup>2</sup>					
Number of Lamps	Enclosure material	Product Type	Art. No.	PS	Weight kg	
2	Sheet steel, powder-coated	6414/1112-2851-0100-11	226410	31	11.760	
	Stainless steel 1.4404, powder-coated	6414/1112-2851-0100-14	226413	31	11.940	
4	Sheet steel, powder-coated	6414/1122-4851-0100-11	226427	31	12.520	
	Stainless steel 1.4404	6414/1122-4851-0100-14	226431	31	12.650	
Design size:	4					
Lamp wattage:	36 W					
Ambient temperature °C:	-30 ... +55 °C					
Drilled hole:	3 x M25					
Material of cable entry:	polyamide black					
Connection terminals solid max.:	4 mm <sup>2</sup>					
Number of Lamps	Enclosure material	Product Type	Art. No.	PS	Weight kg	
2	Sheet steel, powder-coated	6414/1114-2851-0100-11	226411	31	20.120	
	Stainless steel 1.4404	6414/1114-2851-0100-14	226414	31	20.330	
4	Sheet steel, powder-coated	6414/1124-4851-0100-11	226428	31	21.730	
	Stainless steel 1.4404	6414/1124-4851-0100-14	226432	31	21.860	

### Selection Table

Design size:	6
Lamp wattage:	58 W
Ambient temperature °C:	-30 ... +50 °C
Drilled hole:	3 x M25
Material of cable entry:	polyamide black
Connection terminals solid max.:	4 mm <sup>2</sup>

Number of Lamps	Enclosure material	Product Type	Art. No.	PS	Weight kg
2	Sheet steel, powder-coated	6414/1116-2851-0100-11	226412	31	24.370
4	Sheet steel, powder-coated	6414/1126-4851-0100-11	226430	31	26.370

The light fittings are supplied without lamps or mounting material.

To use the product as a recessed light fitting, a special recessed installation frame is required (in addition to the mounting material).

These parts must be ordered as accessories (see page 560).

Cable entry (2 x M25 x 1.5) and stopping plugs (1 x M25 x 1.5) made from moulded material are included loose with the product (installation required).

### Technical Data

#### Explosion Protection

Certificate IECEX Gas	IECEX BVS 14.0113
Certificate ATEX Gas	BVS 14 ATEX E 164
Certificate IECEX Dust	IECEX BVS 14.0113
Certificate ATEX Dust	BVS 14 ATEX E 161
Gas explosion protection IECEX	Ex nA IIC T4 Gc
Gas explosion protection ATEX	Ⓜ II 3 G Ex nA IIC T4 Gc
Dust explosion protection IECEX	Ex tb IIIC T80 °C Db
Dust explosion protection ATEX	Ⓜ II 2 D Ex tb IIIC T80 °C Db
Certificates	ATEX (BVS), IECEX (BVS)

#### Electrical Data

Rated operational voltage AC	220 – 240 V
Rated operational voltage DC	220 – 240 V
Frequency range	50 – 60 Hz

#### Lighting Data

Lamps	Lamp base G13
-------	---------------

#### Mechanical Data

Type of protec. IP (IEC 60598)	IP65
Protection class	I (internal PE connection)
Gasket material	Silicone
Lens material	Safety glass
Installed terminal strip	PE + N + L1 + L2 + L3
Type of connection line	finely-stranded solid
Enclosure colour	white, RAL 9016
Notes	Connection terminals: Spring clamp terminal

#### Components

Through wiring	with 5 conductors 2.5 mm <sup>2</sup>
----------------	---------------------------------------

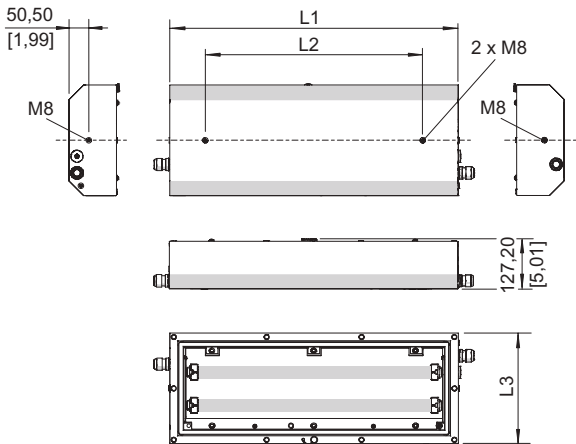
Accessories see page 560

# Linear Luminaire for Fluorescent Lamps

Series 6014/1, 6414/1 Made of Sheet Steel or Stainless Steel




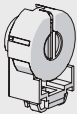
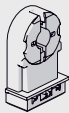

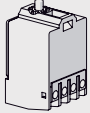
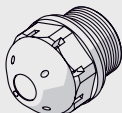
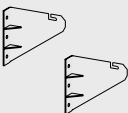
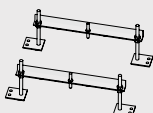
Dimensional Drawings (All Dimensions in mm [inches]) – Subject to Alterations



Lamps	2	4	2	4	2	4
	L1		L2		L3	
Size 2	733 [28.9]		550 [21.7]		280 [11.0]	380 [15.0]
Size 4	1343 [52.9]		950 [37.4]			
Size 6	1643 [64.7]		1250 [49.27]			

E2

## Accessories and Spare Parts

Figure	Description	Art. No.	PS	Weight kg
<b>Fluorescent lamp</b>				
	18 W, 1350 lm	108952 ▲	37	0.100
	36 W, 3350 lm	108951 ▲	37	0.200
	58 W, 5200 lm	108950 ▲	37	0.220
<b>Lamp holder</b>				
	G13 Ex e lamp holder for light fittings with T8 fluorescent lamps for use in Zone 1	117252 ▲	37	0.036
	G13 lamp holder for light fittings with T8 fluorescent lamps for use in Zone 2 and for industrial applications (x 100 units)	107275	37	0.008
<b>Ring bolt</b>				
	M8, direct mounting in insert nuts; 1 pair	115736 ▲	36	0.115
<b>Contact Element</b>				
	8080/1-3-L 2 NC contact element	132527 ▲	37	0.026
<b>Breather</b>				
	Thread: M25 x 1.5; 1 pc; for installation in lights; in moulded material; without counter nut	138573 ▲	15	0.010
	Thread: M25 x 1.5; 20 pc; for installation in lights; in moulded material; without counter nut	138576 ▲	15	0.200
<b>Mounting set wall</b>				
	For 280-mm- and 380-mm-wide versions; 6.12 series light fittings Material: Powder-coated sheet steel	226711	36	1.277
	for version with 380 mm width	226699	36	3.807
	for version with 280 mm width	226700	36	1.733
<b>Mounting set for recessed mounting in ceiling or wall</b>				
	for Version 380 mm width	230081	36	1.868
	for Version 280 mm width	230082	36	1.644

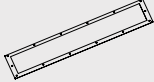
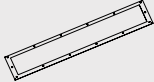
E2

# Linear Luminaire for Fluorescent Lamps

## Series 6012, 6014, 6412, 6414 Accessories and Spare Parts

STAHL

### Accessories and Spare Parts

Figure	Description	Art. No.	PS	Weight kg
<b>Flushing frame for recessed mounting in ceiling or wall with provide IP 66</b>				
	for size 2 standard luminaire with 280 mm width made of sheet steel powder coated	226551	36	2.859
	for size 2 standard luminaire with 280 mm width made of stainless steel SS316L (V4A   1.4404)	226553	36	2.899
	for size 4 standard luminaire with 280 mm width made of sheet steel powder coated	226554	36	4.213
	for size 4 standard luminaire with 280 mm width made of stainless steel SS316L (V4A   1.4404)	226556	36	4.283
	for size 6 standard luminaire or size 4 emergency luminaire with 280 mm width made of sheet steel powder coated	226557	36	4.711
	for size 6 standard luminaire or size 4 emergency luminaire with 280 mm width made of stainless steel SS316L (V4A   1.4404)	226559	36	4.781
	for size 2 standard luminaire with 380 mm width made of sheet steel powder coated	226560	36	3.025
	for size 2 standard luminaire with 380 mm width made of stainless steel SS316L (V4A   1.4404)	226562	36	3.075
	for size 4 standard luminaire with 380 mm width made of sheet steel powder coated	226563	36	4.371
	for size 4 standard luminaire with 380 mm width made of stainless steel SS316L (V4A   1.4404)	226565	36	4.441
	for size 6 standard luminaire with 380 mm width made of sheet steel powder coated	226566	36	4.871
	for size 6 standard luminaire with 380 mm width made of stainless steel SS316L (V4A   1.4404)	226568	36	4.951
	for size 2 standard luminaire with 480 mm width made of sheet steel powder coated	226569	36	3.190
	for size 2 standard luminaire with 480 mm width made of stainless steel SS316L (V4A   1.4404)	226571	36	3.240
	for size 4 standard luminaire with 480 mm width made of sheet steel powder coated	226572	36	4.544
	for size 4 standard luminaire with 480 mm width made of stainless steel SS316L (V4A   1.4404)	226574	36	4.614
<b>Cover frame to provide IP 66</b>				
	for size 2 standard luminaire with 280 mm width made of sheet steel powder coated	245950	36	2.329
	for size 2 standard luminaire with 280 mm width made of stainless steel SS316L (V4A   1.4404)	245972	36	2.359
	for size 4 standard luminaire with 280 mm width made of sheet steel powder coated	245973	36	3.383
	for size 4 standard luminaire with 280 mm width made of stainless steel SS316L (V4A   1.4404)	245975	36	3.433
	for size 6 standard luminaire or size 4 emergency luminaire with 280 mm width made of sheet steel powder coated	245976	36	3.731
	for size 6 standard luminaire or size 4 emergency luminaire with 280 mm width made of stainless steel SS316L (V4A   1.4404)	245978	36	3.781
	for size 2 standard luminaire with 380 mm width made of sheet steel powder coated	245979	36	2.445
	for size 2 standard luminaire with 380 mm width made of stainless steel SS316L (V4A   1.4404)	245981	36	2.475
	for size 4 standard luminaire with 380 mm width made of sheet steel powder coated	245982	36	3.499
	for size 4 standard luminaire with 380 mm width made of stainless steel SS316L (V4A   1.4404)	245984	36	3.549
	for size 6 standard luminaire with 380 mm width made of sheet steel powder coated	245985	36	3.851
	for size 6 standard luminaire with 380 mm width made of stainless steel SS316L (V4A   1.4404)	245987	36	3.911

E2



- Can be used in Ex Zones 1, 2, 21, 22, in safe areas and on ships
- Two fluorescent lamps: 18 W and 36 W
- Enclosure made from sheet steel or SS304/SS316L stainless steel (suitable for use in marine environments)

WebCode **6010A**



The 6010/1 series ECOLUX METAL explosion-protected linear luminaire has two fluorescent lamps and is suited to normal lighting applications, particularly offshore applications and for ships. In no time at all and with very little effort, it can be fitted to the wall or ceiling. And thanks to the quick-release locks, the translucent cover is easy to open. The high-quality workmanship makes it robust and minimises maintenance requirements.

E2

	ATEX / IECEx					
Zone	0	1	2	20	21	22
Installation in		•	•		•	•

Selection Table							
Design size:		2					
Lamp wattage:		18 W					
Number of Lamps:		2					
Drilled hole	Material of cable entry	Connection terminals solid max.	Enclosure material	Product Type	Art. No.	PS	Weight kg
4 x M20	polyamide black	4 mm <sup>2</sup>	Sheet steel, powder-coated	6010/1152-2858-0020	243952	31	5.910
	polyamide black	6 mm <sup>2</sup>	Stainless steel 1.4404, powder-coated	6010/1152-2858-0044	243957	31	6.010
4 x M25	polyamide black	4 mm <sup>2</sup>	Sheet steel, powder-coated	6010/1152-2857-0020	243939	31	8.500
	polyamide black	6 mm <sup>2</sup>	Stainless steel 1.4404, powder-coated	6010/1152-2857-0044	243955	31	6.010
Design size:		4					
Lamp wattage:		36 W					
Number of Lamps:		2					
Drilled hole	Material of cable entry	Connection terminals solid max.	Enclosure material	Product Type	Art. No.	PS	Weight kg
4 x M20	polyamide black	4 mm <sup>2</sup>	Sheet steel, powder-coated	6010/1154-2858-0020	243953	31	6.100
	polyamide black	6 mm <sup>2</sup>	Stainless steel 1.4404, powder-coated	6010/1154-2858-0044	243958	31	8.600
4 x M25	polyamide black	4 mm <sup>2</sup>	Sheet steel, powder-coated	6010/1154-2857-0020	243940	31	8.500
	polyamide black	6 mm <sup>2</sup>	Stainless steel 1.4404, powder-coated	6010/1154-2857-0044	243956	31	8.600

# Linear Luminaire for Fluorescent Lamps

## Series 6010/1 Made of Stainless Steel or Sheet Steel ECOLUX METAL



The light fittings can be fitted directly to the wall or the ceiling without using additional mounting material.  
Lamps are not supplied with the product and can be ordered as accessories.  
Cable entry (1 x M20 Ø 4 – 13 mm or 1 x M25 Ø 7 – 17 mm) and stopping plugs (3 x M20 x 1,5 or 3 x M25 x 1,5) made from moulded material are included loose with the product (installation required).

### Technical Data

#### Explosion Protection

Certificate IECEX Gas	IECEX BVS 14.0084X
Certificate ATEX Gas	BVS 14 ATEX E 129X
Certificate IECEX Dust	IECEX BVS 14.0084X
Certificate ATEX Dust	BVS 14 ATEX E 129X
Ambient temperature °C	-20 ... +60 °C
Gas explosion protection IECEX	Ex de IIC T4 Gb
Gas explosion protection ATEX	⊕ II 2 G Ex de IIC T4 Gb
Dust explosion protection IECEX	Ex tb IIIC T80 °C Db
Dust explosion protection ATEX	⊕ II 2 D Ex tb IIIC T80 °C Db
Certificates	ATEX (BVS), IECEX (BVS)

#### Electrical Data

Rated operational voltage AC	220 – 240 V
Rated operational voltage DC	220 – 240 V
Frequency range	50 – 60 Hz

#### Lighting Data

Lamps	Lamp base G13
-------	---------------

#### Mechanical Data

Type of protec. IP (IEC 60598)	IP65/IP67
Protection class	I (internal PE connection)
Gasket material	Silicone
Lamp cover material	Polycarbonate
Installed terminal strip	PE + N + L1 + L2 + L3
Type of connection line	finely-stranded solid
Impact strength (IK code)	IK10 (IEC 62262)
Enclosure colour	white, RAL 9010
Notes	Connection terminals: Spring clamp terminal

#### Components

Through wiring	with 5 conductors 2.5 mm <sup>2</sup>
----------------	---------------------------------------

Accessories see page 568

Dimensional drawing see page 569

E2



- Can be used in Ex Zones 2, 21 and 22, in safe areas and on ships
- Two fluorescent lamps: 18 W and 36 W
- Enclosure made from sheet steel or SS304/SS316L stainless steel (suitable for use in marine environments)

WebCode 6610A



The 6010/11 series ECOLUX METAL explosion-protected linear luminaire has two fluorescent lamps and is suited to general lighting applications in environments with tough demands. In no time at all and with very little effort, it can be fitted to the wall or ceiling. And thanks to the quick-release locks, the translucent cover is easy to open. The high-quality workmanship makes it robust and minimises maintenance requirements.

E2

	ATEX / IECEx					
Zone	0	1	2	20	21	22
Installation in			•		•	•

Selection Table							
Design size:		2					
Lamp wattage:		18 W					
Number of Lamps:		2					
Drilled hole	Material of cable entry	Connection terminals solid max.	Enclosure material	Product Type	Art. No.	PS	Weight kg
4 x M20	polyamide black	4 mm <sup>2</sup>	Sheet steel, powder-coated	6610/1152-2858-0120	243961	31	5.010
	polyamide black	6 mm <sup>2</sup>	Stainless steel 1.4404, powder-coated	6610/1152-2858-0144	243965	31	5.110
4 x M25	polyamide black	4 mm <sup>2</sup>	Sheet steel, powder-coated	6610/1152-2857-0120	243959	31	5.010
	polyamide black	6 mm <sup>2</sup>	Stainless steel 1.4404, powder-coated	6610/1152-2857-0144	243963	31	5.110
Design size:		4					
Lamp wattage:		36 W					
Number of Lamps:		2					
Drilled hole	Material of cable entry	Connection terminals solid max.	Enclosure material	Product Type	Art. No.	PS	Weight kg
4 x M20	polyamide black	4 mm <sup>2</sup>	Sheet steel, powder-coated	6610/1154-2858-0120	243962	31	7.600
	polyamide black	6 mm <sup>2</sup>	Stainless steel 1.4404, powder-coated	6610/1154-2858-0144	243966	31	7.700
4 x M25	polyamide black	4 mm <sup>2</sup>	Sheet steel, powder-coated	6610/1154-2857-0120	243960	31	7.600
	polyamide black	6 mm <sup>2</sup>	Stainless steel 1.4404, powder-coated	6610/1154-2857-0144	243964	31	7.700

# Linear Luminaire for Fluorescent Lamps

## Series 6610/11 Made of Stainless Steel or Sheet Steel ECOLUX METAL

STAHL

The light fittings can be fitted directly to the wall or the ceiling without using additional mounting material.  
Lamps are not supplied with the product and can be ordered as accessories.  
Cable entry (1 x M20 Ø 4 – 13 mm or 1 x M25 Ø 7 – 17 mm) and stopping plugs (3 x M20 x 1,5 or 3 x M25 x 1,5) made from moulded material are included loose with the product (installation required).

### Technical Data

#### Explosion Protection

Certificate IECEX Gas	IECEX BVS 14.0112X
Certificate ATEX Gas	BVS 14 ATEX E 165X
Certificate IECEX Dust	IECEX BVS 14.0112X
Certificate ATEX Dust	BVS 14 ATEX E 162
Ambient temperature °C	-20 ... +55 °C
Gas explosion protection IECEX	Ex nA IIC T4 Gc
Gas explosion protection ATEX	⊕ II 3 G Ex nA IIC T4 Gc
Dust explosion protection IECEX	Ex tb IIIC T80 °C Db
Dust explosion protection ATEX	⊕ II 2 D Ex tb IIIC T80 °C Db
Certificates	ATEX (BVS), IECEX (BVS)

#### Electrical Data

Rated operational voltage AC	220 – 240 V
Rated operational voltage DC	220 – 240 V
Frequency range	50 – 60 Hz

#### Lighting Data

Lamps	Lamp base G13
-------	---------------

#### Mechanical Data

Type of protec. IP (IEC 60598)	IP65/IP67
Protection class	I (internal PE connection)
Gasket material	Silicone
Lamp cover material	Polycarbonate
Installed terminal strip	PE + N + L1 + L2 + L3
Type of connection line	finely-stranded solid
Impact strength (IK code)	IK10 (IEC 62262)
Enclosure colour	white, RAL 9010
Notes	Connection terminals: Spring clamp terminal

#### Components

Through wiring	with 5 conductors 2.5 mm <sup>2</sup>
----------------	---------------------------------------

Accessories see page 568

Dimensional drawings see page 569

E2



- Highly resistant industrial design
- Two fluorescent lamps: 18 W and 36 W
- Enclosure made from sheet steel or SS304/SS316L stainless steel (suitable for use in marine environments)

## WebCode L610A

The L610/1 series ECOLUX METALL linear luminaire is designed for industrial use and is suited to general lighting applications in harsh environments with tough demands. In no time at all and with very little effort, it can be fitted to the wall or ceiling. And thanks to the quick-release locks, the translucent cover is easy to open. The high-quality workmanship makes it robust and minimises maintenance requirements.

### Selection Table

Design size:		2	Lamp wattage:		18 W	Number of Lamps:		2
Drilled hole	Material of cable entry	Connection terminals solid max.	Enclosure material	Product Type	Art. No.	PS	Weight kg	
4 x M20	polyamide black	4 mm <sup>2</sup>	Sheet steel, powder-coated	L610/1052-2858-3201	243969	31	4.410	
	polyamide black	4 mm <sup>2</sup>	Stainless steel 1.4404, powder-coated	L610/1052-2858-3441	243973	31	4.510	
4 x M25	polyamide black	4 mm <sup>2</sup>	Sheet steel, powder-coated	L610/1052-2857-3201	243967	31	4.410	
	polyamide black	4 mm <sup>2</sup>	Stainless steel 1.4404, powder-coated	L610/1052-2857-3441	243971	31	4.510	
Design size:		4	Lamp wattage:		36 W	Number of Lamps:		2
Drilled hole	Material of cable entry	Connection terminals solid max.	Enclosure material	Product Type	Art. No.	PS	Weight kg	
4 x M20	polyamide black	4 mm <sup>2</sup>	Sheet steel, powder-coated	L610/1054-2858-3201	243970	31	7.100	
	polyamide black	4 mm <sup>2</sup>	Stainless steel 1.4404, powder-coated	L610/1054-2858-3441	243974	31	7.200	
4 x M25	polyamide black	4 mm <sup>2</sup>	Sheet steel, powder-coated	L610/1054-2857-3201	243968	31	7.100	
	polyamide black	4 mm <sup>2</sup>	Stainless steel 1.4404, powder-coated	L610/1054-2857-3441	243972	31	7.200	

The light fittings can be fitted directly to the wall or the ceiling without using additional mounting material. Lamps are not supplied with the product and can be ordered as accessories. Cable entry (1 x M20 Ø 4 – 13 mm or 1 x M25 Ø 7 – 17 mm) and stopping plugs (3 x M25 x 1,5 or 3 x M25 x 1,5 made from moulded material are included loose with the product (installation required).

### Technical Data

#### Explosion Protection

Ambient temperature °C -20 ... +55 °C

# Linear Luminaire for Fluorescent Lamps

Series L610/1 Made of Stainless Steel or Sheet Steel ECOLUX METAL

STAHL

Technical Data	
Electrical Data	
Ex version	No
Rated operational voltage AC	220 – 240 V
Rated operational voltage DC	220 – 240 V
Frequency range	50 – 60 Hz
Lighting Data	
Lamps	Lamp base G13
Mechanical Data	
Type of protec. IP (IEC 60598)	IP65/IP67
Protection class	I (internal PE connection)
Gasket material	Silicone
Lamp cover material	Polycarbonate
Installed terminal strip	PE + N + L1 + L2 + L3
Type of connection line	finely-stranded solid
Impact strength (IK code)	IK10 (IEC 62262)
Enclosure colour	white, RAL 9010
Notes	Connection terminals: Spring clamp terminal
Components	
Through wiring	with 5 conductors 2.5 mm <sup>2</sup>
Accessories see page 568	
Dimensional Drawings see page 569	

E2

### Accessories and Spare Parts

Figure	Description	Art. No.	PS	Weight kg
<b>Fluorescent lamp</b>				
	18 W, 1350 lm	108952 ▲	37	0.100
	36 W, 3350 lm	108951 ▲	37	0.200
<b>Diffuser cover</b>				
	for light fitting 18 W	124890	37	0.500
	for light fitting 36 W	124897	37	0.860
<b>Cable gland</b>				
	8161/7-M20-1304 4 ... 13 mm <sup>2</sup> , 50 pieces (delivery lot*)	239156 ▲	10	0.013
<b>Cable gland</b>				
	8161/7-M25-1707 7 ... 17 mm <sup>2</sup> , 50 pieces (delivery lot*)	239157 ▲	10	0.019
<b>Stopping plug</b>				
	8290/3-M20, 1 piece	143522	18	0.005
	8290/3-M20, 100 pieces	143543 ▲	18	0.500
	8290/3-M25, 1 piece	143524	18	0.007
	8290/3-M25, 100 pieces	143544 ▲	18	0.700
<b>Breather</b>				
	Thread: M25 x 1.5; 1 pc; for installation in lights; in moulded material; without counter nut	138573 ▲	15	0.010
	Thread: M25 x 1.5; 20 pc; for installation in lights; in moulded material; without counter nut	138576 ▲	15	0.200
<b>Lamp holder</b>				
	G13 Ex e lamp holder for light fittings with T8 fluorescent lamps for use in Zone 1	117252 ▲	37	0.036
	G13 lamp holder for light fittings with T8 fluorescent lamps for use in Zone 2 and for industrial applications (x 100 units)	107275	37	0.008

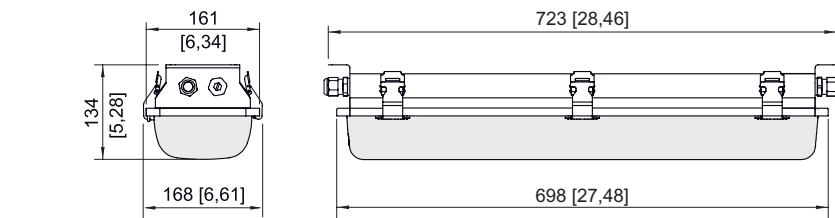
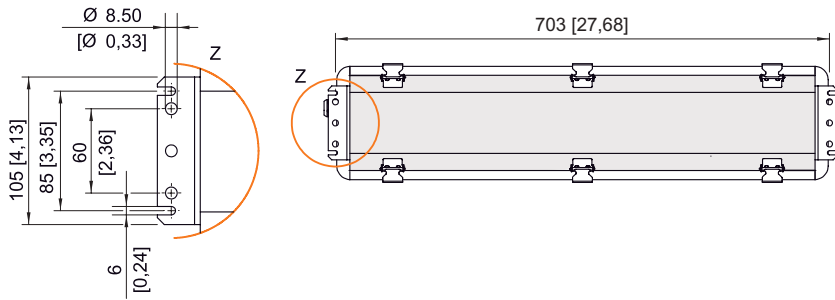
\*) Purchase order quantity in [no. of units]; the delivery quantity is automatically rounded to the delivery lot.

# Linear Luminaire for Fluorescent Lamps

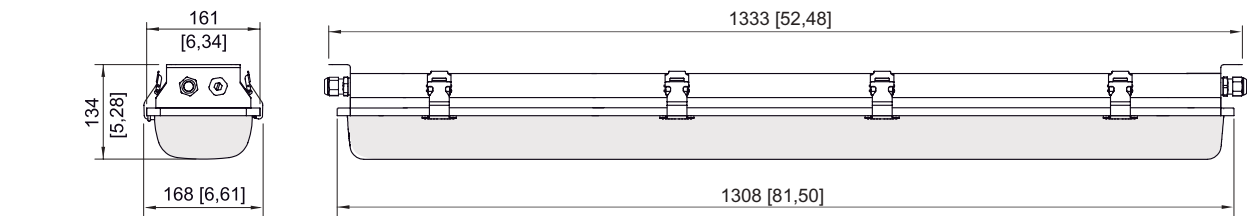
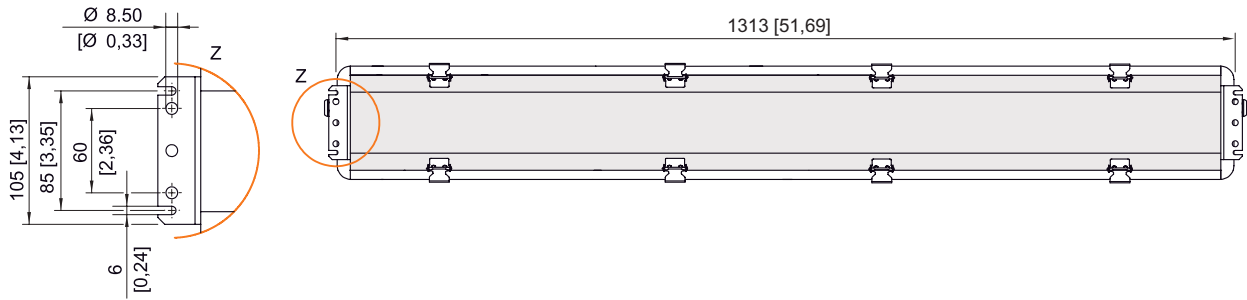
Series 6010, 6610, L610 ECOLUX METAL, Dimensional Drawings



Dimensional Drawings (All Dimensions in mm [inches]) – Subject to Alterations



Design size 2



Design size 4

E2



- Degree of protection IP66 and IP68
- Type of protection Ex d
- Vibration-resistant, lightweight, robust (impact strength rating of IK10) and maintenance-free
- Many light fittings can be connected to single miniature circuit breaker due to incredibly low start-up current

WebCode 6036A



The 6036 series compact LED tubular light fitting is ideal for general lighting applications and for use as machine lighting, even in relatively inaccessible places with very little space. This light boasts a long service life of up to 100,000 hours thanks to its use of energy-efficient LED technology, coupled with electronics that have been developed in-house by R. STAHL. Due to its robust construction, it can withstand extreme temperatures of between -55 °C and +60 °C.

E2

	ATEX / IECEx					
Zone	0	1	2	20	21	22
Installation in		•	•		•	•

### Selection Table

Design size:	1
Lamp wattage:	16 W
Type of connection line:	H07RN-F 2x1,5 qmm
Rated operational voltage AC:	24 – 48 V
Rated operational voltage DC:	24 – 48 V
Lamps:	LED double-row
Gas explosion protection IECEx:	Ex db op is IIC T4 Gb
Gas explosion protection ATEX:	Ⓜ II 2 G Ex db op is IIC T4 Gb
Dust explosion protection IECEx:	Ex tb IIIC T100 °C Db
Dust explosion protection ATEX:	Ⓜ II 2 D Ex tb IIIC T100 °C Db
Ambient temperature:	-40 °C ... +70 °C

Cable length	Diffusor	Luminaire efficiency	Luminous flux	Product Type	Art. No.	PS	Weight kg
2.5 m	with Diffusor	63 lm/W	1000 lm	6036/1212-253-0121-11	257176	64	1.000
	without Diffusor	75 lm/W	1200 lm	6036/1212-253-0121-01	257062	64	0.960
5 m	with Diffusor	63 lm/W	1000 lm	6036/1212-253-0151-11	257178	64	1.310
10 m	with Diffusor	63 lm/W	1000 lm	6036/1212-253-0171-11	257192	64	1.940
	without Diffusor	75 lm/W	1200 lm	6036/1212-253-0171-01	257159	64	1.900
20 m	with Diffusor	63 lm/W	1000 lm	6036/1212-253-0181-11	257195	64	3.200
	without Diffusor	75 lm/W	1200 lm	6036/1212-253-0181-01	257173	64	3.150

## Selection Table

Design size: 1  
 Lamp wattage: 16 W  
 Type of connection line: H07RN-F 2x1,5 qmm  
 Rated operational voltage AC: 24 – 48 V  
 Rated operational voltage DC: 24 – 48 V  
 Lamps: LED single-row  
 Gas explosion protection IECEx: Ex db op is IIC T4 Gb  
 Gas explosion protection ATEX: Ⓜ II 2 G Ex db op is IIC T4 Gb  
 Dust explosion protection IECEx: Ex tb IIIC T100 °C Db  
 Dust explosion protection ATEX: Ⓜ II 2 D Ex tb IIIC T100 °C Db  
 Ambient temperature: -40 °C ... +70 °C

Cable length	Diffusor	Luminaire efficiency	Luminous flux	Product Type	Art. No.	PS	Weight kg
2.5 m	with Diffusor	73 lm/W	1160 lm	6036/1212-053-0121-11	257177	64	1.000
	without Diffusor	84 lm/W	1340 lm	6036/1212-053-0121-01	257064	64	1.000
5 m	with Diffusor	73 lm/W	1160 lm	6036/1212-053-0151-11	257180	64	1.310
10 m	with Diffusor	73 lm/W	1160 lm	6036/1212-053-0171-11	257193	64	1.940
20 m	with Diffusor	73 lm/W	1160 lm	6036/1212-053-0181-11	257196	64	3.190
	without Diffusor	84 lm/W	1340 lm	6036/1212-053-0181-01	257175	64	3.150

Design size: 1  
 Lamp wattage: 16 W  
 Type of connection line: H07RN-F 2x1,5 qmm  
 Rated operational voltage AC: 110 – 240 V  
 Rated operational voltage DC: 110 – 240 V  
 Lamps: LED single-row  
 Gas explosion protection IECEx: Ex db op is IIC T4 Gb  
 Gas explosion protection ATEX: Ⓜ II 2 G Ex db op is IIC T4 Gb  
 Dust explosion protection IECEx: Ex tb IIIC T100 °C Db  
 Dust explosion protection ATEX: Ⓜ II 2 D Ex tb IIIC T100 °C Db  
 Ambient temperature: -30 °C ... +70 °C

Cable length	Diffusor	Luminaire efficiency	Luminous flux	Product Type	Art. No.	PS	Weight kg
2.5 m	with Diffusor	73 lm/W	1160 lm	6036/1212-055-0121-11	257066	64	1.000
	without Diffusor	84 lm/W	1340 lm	6036/1212-055-0121-01	257065	64	0.960
5 m	with Diffusor	73 lm/W	1160 lm	6036/1212-055-0151-11	257191	64	1.310
	without Diffusor	84 lm/W	1340 lm	6036/1212-055-0151-01	257115	64	1.300
10 m	with Diffusor	73 lm/W	1160 lm	6036/1212-055-0171-11	257194	64	1.950
	without Diffusor	84 lm/W	1340 lm	6036/1212-055-0171-01	257160	64	1.900
20 m	with Diffusor	73 lm/W	1160 lm	6036/1212-055-0181-11	257174	64	3.200

Design size: 1  
 Lamp wattage: 16 W  
 Type of connection line: H07RN-F 2x1,5 qmm  
 Rated operational voltage AC: –  
 Rated operational voltage DC: 12 – 12 V  
 Lamps: LED double-row  
 Gas explosion protection IECEx: Ex db op is IIC T4 Gb  
 Gas explosion protection ATEX: Ⓜ II 2 G Ex db op is IIC T4 Gb  
 Dust explosion protection IECEx: Ex tb IIIC T100 °C Db  
 Dust explosion protection ATEX: Ⓜ II 2 D Ex tb IIIC T100 °C Db  
 Ambient temperature: -40 °C ... +40 °C

Cable length	Diffusor	Luminaire efficiency	Luminous flux	Product Type	Art. No.	PS	Weight kg
2.5 m	with Diffusor	53 lm/W	850 lm	6036/1212-252-0121-11	247980	64	1.000
	without Diffusor	64 lm/W	1020 lm	6036/1212-252-0121-01	247976	64	0.960
5 m	with Diffusor	53 lm/W	850 lm	6036/1212-252-0151-11	247981	64	1.300
	without Diffusor	64 lm/W	1020 lm	6036/1212-252-0151-01	247977	64	1.280
10 m	with Diffusor	53 lm/W	850 lm	6036/1212-252-0171-11	247982	64	1.940
	without Diffusor	64 lm/W	1020 lm	6036/1212-252-0171-01	247978	64	1.900

E2

## Selection Table

Design size:	1
Lamp wattage:	16 W
Type of connection line:	H07RN-F 2x1,5 qmm
Rated operational voltage AC:	-
Rated operational voltage DC:	12 – 12 V
Lamps:	LED double-row
Gas explosion protection IECEx:	Ex db op is IIC T4 Gb
Gas explosion protection ATEX:	Ⓜ II 2 G Ex db op is IIC T4 Gb
Dust explosion protection IECEx:	Ex tb IIIC T100 °C Db
Dust explosion protection ATEX:	Ⓜ II 2 D Ex tb IIIC T100 °C Db
Ambient temperature:	-40 °C ... +40 °C

Cable length	Diffusor	Luminaire efficiency	Luminous flux	Product Type	Art. No.	PS	Weight kg
20 m	with Diffusor	53 lm/W	850 lm	6036/1212-252-0181-11	247983	64	3.200
	without Diffusor	64 lm/W	1020 lm	6036/1212-252-0181-01	247979	64	3.150

Design size:	2
Lamp wattage:	28 W
Type of connection line:	H07RN-F 2x1,5 qmm
Rated operational voltage AC:	220 – 240 V
Rated operational voltage DC:	209 – 240 V
Lamps:	LED single-row
Gas explosion protection IECEx:	Ex db op is IIC T4 Gb
Gas explosion protection ATEX:	Ⓜ II 2 G Ex db op is IIC T4 Gb
Dust explosion protection IECEx:	Ex tb IIIC T100 °C Db
Dust explosion protection ATEX:	Ⓜ II 2 D Ex tb IIIC T100 °C Db
Ambient temperature:	-50 °C ... +60 °C (switch on above -40 °C)

Cable length	Diffusor	Luminaire efficiency	Luminous flux	Product Type	Art. No.	PS	Weight kg
2.5 m	with Diffusor	83 lm/W	2330 lm	6036/1225-050-0121-11	251424	64	1.420
	without Diffusor	96 lm/W	2680 lm	6036/1225-050-0121-01	251414	64	1.350
5 m	with Diffusor	83 lm/W	2330 lm	6036/1225-050-0151-11	251425	64	1.730
	without Diffusor	96 lm/W	2680 lm	6036/1225-050-0151-01	251415	64	1.660
10 m	with Diffusor	83 lm/W	2330 lm	6036/1225-050-0171-11	251426	64	2.350
	without Diffusor	96 lm/W	2680 lm	6036/1225-050-0171-01	251416	64	2.280
20 m	with Diffusor	83 lm/W	2330 lm	6036/1225-050-0181-11	251427	64	3.600
	without Diffusor	96 lm/W	2680 lm	6036/1225-050-0181-01	251417	64	3.530

Design size:	2
Lamp wattage:	28 W
Type of connection line:	H07RN-F 2x1,5 qmm
Rated operational voltage AC:	220 – 240 V
Rated operational voltage DC:	209 – 240 V
Lamps:	LED single-row
Gas explosion protection IECEx:	Ex db op is IIC T6 Gb
Gas explosion protection ATEX:	Ⓜ II 2 G Ex db op is IIC T6 Gb
Dust explosion protection IECEx:	Ex tb IIIC T80 °C Db
Dust explosion protection ATEX:	Ⓜ II 2 D Ex tb IIIC T80 °C Db
Ambient temperature:	-50 °C ... +45 °C (switch on above -40 °C)

Cable length	Diffusor	Luminaire efficiency	Luminous flux	Product Type	Art. No.	PS	Weight kg
5 m	with Diffusor	83 lm/W	2330 lm	6036/1225-150-0151-11	247955	64	1.650
	without Diffusor	96 lm/W	2680 lm	6036/1225-150-0151-01	247953	64	1.600

## Selection Table

Design size: 3  
 Lamp wattage: 38 W  
 Type of connection line: H07RN-F 2x1,5 qmm  
 Rated operational voltage AC: 220 – 240 V  
 Rated operational voltage DC: 209 – 240 V  
 Lamps: LED single-row  
 Gas explosion protection IECEx: Ex db op is IIC T4 Gb  
 Gas explosion protection ATEX: Ⓜ II 2 G Ex db op is IIC T4 Gb  
 Dust explosion protection IECEx: Ex tb IIIC T100 °C Db  
 Dust explosion protection ATEX: Ⓜ II 2 D Ex tb IIIC T100 °C Db  
 Ambient temperature: -50 °C ... +60 °C (switch on above -40 °C)

Cable length	Diffusor	Luminaire efficiency	Luminous flux	Product Type	Art. No.	PS	Weight kg
2.5 m	with Diffusor	92 lm/W	3480 lm	6036/1235-050-0121-11	251444	64	1.780
	without Diffusor	106 lm/W	4020 lm	6036/1235-050-0121-01	251434	64	1.700
5 m	with Diffusor	92 lm/W	3480 lm	6036/1235-050-0151-11	251445	64	2.090
	without Diffusor	106 lm/W	4020 lm	6036/1235-050-0151-01	251435	64	2.010
10 m	with Diffusor	92 lm/W	3480 lm	6036/1235-050-0171-11	251446	64	2.720
	without Diffusor	106 lm/W	4020 lm	6036/1235-050-0171-01	251436	64	2.640
20 m	with Diffusor	92 lm/W	3480 lm	6036/1235-050-0181-11	251447	64	3.970
	without Diffusor	106 lm/W	4020 lm	6036/1235-050-0181-01	251437	64	3.890

Design size: 3  
 Lamp wattage: 38 W  
 Type of connection line: H07RN-F 2x1,5 qmm  
 Rated operational voltage AC: 220 – 240 V  
 Rated operational voltage DC: 209 – 240 V  
 Lamps: LED single-row  
 Gas explosion protection IECEx: Ex db op is IIC T6 Gb  
 Gas explosion protection ATEX: Ⓜ II 2 G Ex db op is IIC T6 Gb  
 Dust explosion protection IECEx: Ex tb IIIC T80 °C Db  
 Dust explosion protection ATEX: Ⓜ II 2 D Ex tb IIIC T80 °C Db  
 Ambient temperature: -50 °C ... +45 °C (switch on above -40 °C)

Cable length	Diffusor	Luminaire efficiency	Luminous flux	Product Type	Art. No.	PS	Weight kg
5 m	with Diffusor	92 lm/W	3480 lm	6036/1235-150-0151-11	247959	64	2.000
	without Diffusor	106 lm/W	4020 lm	6036/1235-150-0151-01	247957	64	1.950

Design size: 4  
 Lamp wattage: 49 W  
 Type of connection line: H07RN-F 2x1,5 qmm  
 Rated operational voltage AC: 220 – 240 V  
 Rated operational voltage DC: 209 – 240 V  
 Lamps: LED single-row  
 Gas explosion protection IECEx: Ex db op is IIC T4 Gb  
 Gas explosion protection ATEX: Ⓜ II 2 G Ex db op is IIC T4 Gb  
 Dust explosion protection IECEx: Ex tb IIIC T100 °C Db  
 Dust explosion protection ATEX: Ⓜ II 2 D Ex tb IIIC T100 °C Db  
 Ambient temperature: -50 °C ... +60 °C (switch on above -40 °C)

Cable length	Diffusor	Luminaire efficiency	Luminous flux	Product Type	Art. No.	PS	Weight kg
2.5 m	with Diffusor	95 lm/W	4640 lm	6036/1248-050-0121-11	251464	64	2.130
	without Diffusor	109 lm/W	5360 lm	6036/1248-050-0121-01	251454	64	2.030
5 m	with Diffusor	95 lm/W	4640 lm	6036/1248-050-0151-11	251465	64	2.440
	without Diffusor	109 lm/W	5360 lm	6036/1248-050-0151-01	251455	64	2.340
10 m	with Diffusor	95 lm/W	4640 lm	6036/1248-050-0171-11	251466	64	3.070
	without Diffusor	109 lm/W	5360 lm	6036/1248-050-0171-01	251456	64	2.970
20 m	with Diffusor	95 lm/W	4640 lm	6036/1248-050-0181-11	251467	64	4.320
	without Diffusor	109 lm/W	5360 lm	6036/1248-050-0181-01	251457	64	4.220

E2

### Selection Table

Design size:	4
Lamp wattage:	49 W
Type of connection line:	H07RN-F 2x1,5 qmm
Rated operational voltage AC:	220 – 240 V
Rated operational voltage DC:	209 – 240 V
Lamps:	LED single-row
Gas explosion protection IECEx:	Ex db op is IIC T6 Gb
Gas explosion protection ATEX:	Ⓜ II 2 G Ex db op is IIC T6 Gb
Dust explosion protection IECEx:	Ex tb IIIC T80 °C Db
Dust explosion protection ATEX:	Ⓜ II 2 D Ex tb IIIC T80 °C Db
Ambient temperature:	-50 °C ... +45 °C (switch on above -40 °C)

Cable length	Diffusor	Luminaire efficiency	Luminous flux	Product Type	Art. No.	PS	Weight kg
5 m	with Diffusor	95 lm/W	4640 lm	6036/1248-150-0151-11	247963	64	2.400
	without Diffusor	109 lm/W	5360 lm	6036/1248-150-0151-01	247961	64	2.300

The tubular light fitting is delivered without plug. Specify the plug on order (see Accessories and Spare Parts) or connect in a terminal box.  
The tubular light fitting is delivered without mounting material.

### Technical Data

#### Explosion Protection

Certificate IECEX Gas	IECEX EPS 13.0027
Certificate ATEX Gas	EPS 13 ATEX 1597
Certificate IECEX Dust	IECEX EPS 13.0027
Certificate ATEX Dust	EPS 13 ATEX 1597
Certificates	ATEX (BVIS), Brazil (ULB), EAC (STV), IECEX (BVIS), Korea (KTL)
Ship approval	GL

#### Electrical Data

Frequency range	50 – 60 Hz
-----------------	------------

#### Ambient Conditions

Storage temperature	-40 °C ... +70 °C
---------------------	-------------------

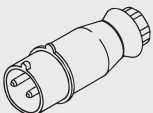
#### Lighting Data

CCT	neutral white
Colour Rendering	≥ 80
Colour temperature	5000 K
Lighting Data Note 1	Values apply to T <sub>a</sub> = +25 °C

#### Mechanical Data

Type of protection (IP)	IP66 / IP67
Type of protec. IP (IEC 60598)	IP66 / IP68 (10 m / 60 min)
Protection class	II (insulated)
Enclosure material	Polycarbonate
Tube material	Polycarbonate
Impact strength (IK code)	IK10 (IEC 62262)

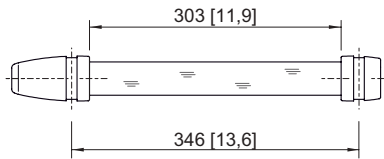
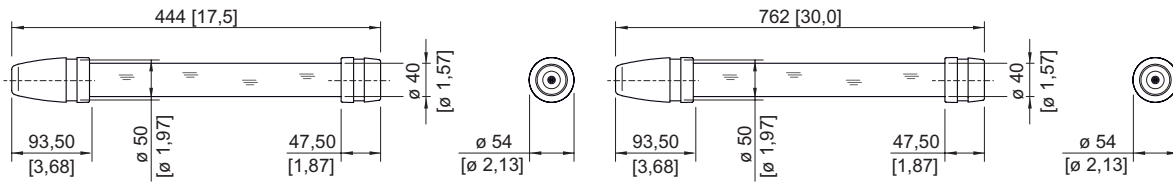
### Accessories and Spare Parts

Figure	Description	Art. No.	PS	Weight kg
<b>Plug</b>				
	8570/12-100 2 pins, 20 ... 25 V AC, 16 A	151545 ▲	10	0.220
	8570/12-110 2 pins, 20 ... 25 V, 16 A	151553 ▲	10	0.220

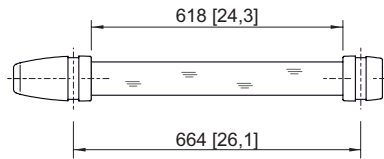
Accessories and Spare Parts				
Figure	Description	Art. No.	PS	Weight kg
<b>Plug</b>				
	8570/12-200 3 pins, 20 ... 25 V AC, 16 A	151486 ▲	10	0.230
	8570/12-212 3 pins, 40 ... 50 V AC, 16 A	151496 ▲	10	0.220
	8570/12-304 3 pins, 100 ... 130 V AC, 50 / 60 Hz, 16 A	150599 ▲	10	0.420
	8570/12-306 3 pins, 200 ... 250 V AC, 50 / 60 Hz, 16 A	150579 ▲	10	0.420
<b>Mounting bracket</b>				
	Mounting bracket made of galvanised sheet steel to screw onto thread M8 or M10 (2 pieces)	227256	36	0.190
	Mounting bracket made of stainless steel V4A to screw onto thread M8 or M10 (2 pieces)	227257	36	0.180
	Double mounting bracket made of plastic for mounting of pipes with a diameter of 45 ... 55 mm (Screws and nuts made of stainless steel V2A) (2 pieces)	254932	36	0.800
	Set of mounting plate SAP 254494 and mounting bracket SAP 252940	248100	36	0.850
	Mounting bracket made of stainless steel V4A for fastening on surfaces (2 pieces)	252940	36	0.600
	Mounting bracket made from galvanised sheet steel (x 2 units); for design size 1	120535 ▲	36	0.050
	Mounting plate made of stainless steel V4A for terminal box Ex e Series 8010 (for example SAP 130724) for fastening on mounting bracket SAP 252940	254494	36	0.700
<b>Mounting bracket and magnet</b>				
	Mounting bracket made from galvanised sheet steel with magnetic base (x 2 units); for design size 1	120536 ▲	36	0.100

E2

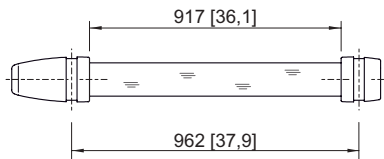
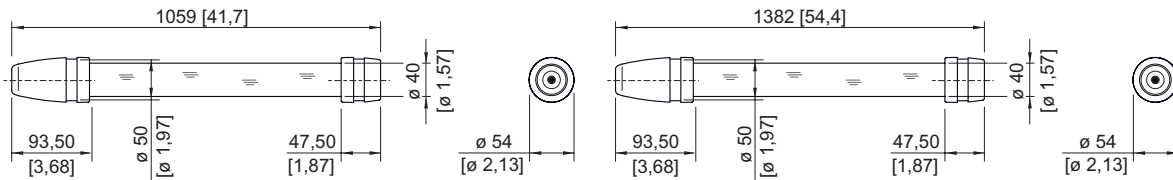
Dimensional Drawings (All Dimensions in mm [inches]) – Subject to Alterations



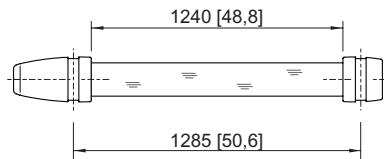
Design size 1



Design size 2



Design size 3



Design size 4

E2



- Low maintenance and extremely long service life with LEDs (up to 50,000 H)
- Suspended by means of ring bolts or pivoting mounting brackets
- Ex Zones 1, 2, 21 and 22
- IP68 level of protection (10 m)

WebCode **6050B**



A variety additional reflectors make the 6050 LED series pendant light fitting a versatile choice. A seawater-resistant cast aluminium enclosure is available for use in marine environments. There is also the option to add a highly resistant coating. The ultra safe integrated terminal box takes all the hard work out of connecting the electrics of the pendant light, which is housed in a flame-proof enclosure.

	ATEX / IECEx					
Zone	0	1	2	20	21	22
Installation in		•	•		•	•

E2

Selection Table						
Design size:		1				
Gas explosion protection IECEx:		Ex d e op is IIC T4 Gb				
Gas explosion protection ATEX:		Ⓔ II 2 G Ex d e op is IIC T4 Gb				
Dust explosion protection IECEx:		Ex tb IIIC T100 °C Db				
Dust explosion protection ATEX:		Ⓔ II 2 D Ex tb IIIC T100 °C Db				
Ambient temperature °C:		-40 ... +55 °C				
Version	Reflector	Wire guard	Product Type	Art. No.	PS	Weight kg
for ceiling and wall mounting	No	No	6050/5121-01061-10000-11	257615	64	11.000
	Yes	Yes	6050/5121-01061-11100-11	257614	64	11.300
with two insert threads M8	No	No	6050/5111-01061-10000-11	257613	64	8.900
	No	Yes	6050/5111-01061-10100-11	257617	64	9.200
Design size:		1				
Gas explosion protection IECEx:		Ex d e op is IIC T6 Gb				
Gas explosion protection ATEX:		Ⓔ II 2 G Ex d e op is IIC T6 Gb				
Dust explosion protection IECEx:		Ex tb IIIC T80 °C Db				
Dust explosion protection ATEX:		Ⓔ II 2 D Ex tb IIIC T80 °C Db				
Ambient temperature °C:		-40 ... +40 °C				
Version	Reflector	Wire guard	Product Type	Art. No.	PS	Weight kg
for ceiling and wall mounting	No	No	6050/5121-01061-10000-31	258245	64	11.000
	Yes	Yes	6050/5121-01061-11100-31	258246	64	11.300

## Technical Data

### Explosion Protection

Certificate IECEX Gas	IECEX PTB 12.0017
Certificate ATEX Gas	PTB 11 ATEX 1045
Certificate IECEX Dust	IECEX PTB 12.0017
Certificate ATEX Dust	PTB 11 ATEX 1045
Certificates	ATEX (PTB), China (CQST), EAC (STV), IECEX (PTB)

### Electrical Data

Rated operational voltage AC	100 – 277 V
Frequency range	50 – 60 Hz

### Lighting Data

Lamp wattage	65 W
Lamps	LED
CCT	cold white
Luminaire efficiency	82 lm/W
Luminous flux	5300 lm
Colour Rendering	≥ 70
Colour temperature	5700 K

### Mechanical Data

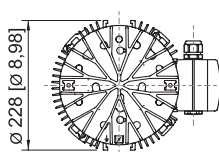
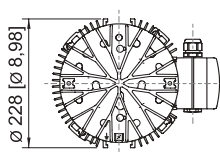
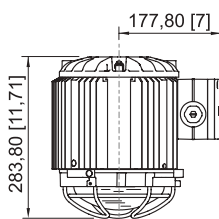
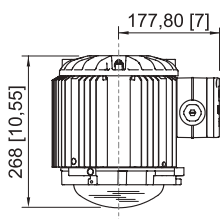
Type of protection (IP)	IP66 / IP68 (10 m)
Protection class	I (internal + external PE)
Enclosure material	Aluminium, seawater resistant
Gasket material	Silicone
	Thermal shock resistant borosilicate glass
Connection terminals solid max.	4 mm <sup>2</sup>
Type of connection line	stranded solid finely-stranded

### Components

Cable entry	1 x M25 Ø 7 – 17 mm
Plug	1 x M25 x 1,5

Accessories see page 583

## Dimensional Drawings (All Dimensions in mm [inches]) – Subject to Alterations



without wire guard

with wire guard



- Low maintenance and long service life with gas discharge lamps
- Suspended by means of ring bolts or pivoting mounting brackets
- Ex Zones 1, 2, 21 and 22
- Size 1 has IP68 level of protection (10 m)

WebCode **6050A**



A variety of lamp types and power outputs, as well as additional reflectors, make the 6050 series pendant light fitting a versatile choice. A seawater-resistant cast aluminium enclosure is available for use in marine environments. There is also the option to add a highly resistant coating. The ultra safe integrated terminal box takes all the hard work out of connecting the electrics of the pendant light, which is housed in a flame-proof enclosure.

E2

	ATEX / IECEx					
Zone	0	1	2	20	21	22
Installation in		•	•		•	•

Selection Table							
Design size:		1					
Version:		for ceiling and wall mounting					
Wire guard:		Yes					
Lampholder:		E27					
Gas explosion protection IECEx:		Ex de IIC T4 Gb					
Ambient temperature gas Ex-area °C:		-50 °C ... +40 °C					
Type of protection (IP):		IP66 / IP68 (10 m)					
Lamp wattage	Lamps	Dust explosion protection IECEx	Ambient temperature dust Ex-area °C	Product Type	Art. No.	PS	Weight kg
150 W	HIE	Ex tb IIIC T130 °C Db	-60 °C ... +40 °C	6050/1121-21511-100-1	219083	61	17.000
Design size:		1					
Version:		for ceiling and wall mounting					
Wire guard:		Yes					
Lampholder:		E27					
Gas explosion protection IECEx:		Ex de IIC T4 Gb					
Ambient temperature gas Ex-area °C:		-50 °C ... +50 °C					
Type of protection (IP):		IP66 / IP68 (10 m)					
Lamp wattage	Lamps	Dust explosion protection IECEx	Ambient temperature dust Ex-area °C	Product Type	Art. No.	PS	Weight kg
70 W	HSE	Ex tb IIIC T110 °C Db	-60 °C ... +50 °C	6050/1121-30711-100-1	219068	61	15.500
100 W	HIE	Ex tb IIIC T125 °C Db	-60 °C ... +50 °C	6050/1121-21011-100-1	219069	61	15.500

### Selection Table

Design size:		1					
Version:		for ceiling and wall mounting					
Wire guard:		Yes					
Lampholder:		E27					
Gas explosion protection IECEx:		Ex de IIC T5 Gb					
Ambient temperature gas Ex-area °C:		-50 °C ... +40 °C					
Type of protection (IP):		IP66 / IP68 (10 m)					
Lamp wattage	Lamps	Dust explosion protection IECEx	Ambient temperature dust Ex-area °C	Product Type	Art. No.	PS	Weight kg
70 W	HIE	Ex tb IIIC T95 °C Db	-60 °C ... +40 °C	6050/1121-20711-100-1	219084	61	17.000
Design size:		1					
Version:		with two insert threads M8					
Wire guard:		No					
Lampholder:		E27					
Gas explosion protection IECEx:		Ex de IIC T4 Gb					
Ambient temperature gas Ex-area °C:		-50 °C ... +40 °C					
Type of protection (IP):		IP66 / IP68 (10 m)					
Lamp wattage	Lamps	Dust explosion protection IECEx	Ambient temperature dust Ex-area °C	Product Type	Art. No.	PS	Weight kg
150 W	HIE	Ex tb IIIC T130 °C Db	-60 °C ... +40 °C	6050/1111-21511-000-1	218058	61	14.500
Design size:		1					
Version:		with two insert threads M8					
Wire guard:		No					
Lampholder:		E27					
Gas explosion protection IECEx:		Ex de IIC T4 Gb					
Ambient temperature gas Ex-area °C:		-50 °C ... +50 °C					
Type of protection (IP):		IP66 / IP68 (10 m)					
Lamp wattage	Lamps	Dust explosion protection IECEx	Ambient temperature dust Ex-area °C	Product Type	Art. No.	PS	Weight kg
50 W	HSE	Ex tb IIIC T100 °C Db	-60 °C ... +50 °C	6050/1111-30511-000-1	221910	61	13.000
70 W	HSE	Ex tb IIIC T110 °C Db	-60 °C ... +50 °C	6050/1111-30711-000-1	218059	61	13.000
Design size:		3					
Version:		for ceiling and wall mounting					
Wire guard:		Yes					
Lampholder:		E40					
Gas explosion protection IECEx:		Ex de IIC T4 Gb					
Ambient temperature gas Ex-area °C:		-20 °C ... +40 °C					
Type of protection (IP):		IP66					
Lamp wattage	Lamps	Dust explosion protection IECEx	Ambient temperature dust Ex-area °C	Product Type	Art. No.	PS	Weight kg
250 W	HIE	Ex tb IIIC T110 °C Db	-20 °C ... +40 °C	6050/3121-22521-100-1	219070	61	29.000
Design size:		3					
Version:		with two insert threads M10					
Wire guard:		No					
Lampholder:		E40					
Gas explosion protection IECEx:		Ex de IIC T4 Gb					
Ambient temperature gas Ex-area °C:		-20 °C ... +40 °C					
Type of protection (IP):		IP66					
Lamp wattage	Lamps	Dust explosion protection IECEx	Ambient temperature dust Ex-area °C	Product Type	Art. No.	PS	Weight kg
250 W	HIE	Ex tb IIIC T110 °C Db	-20 °C ... +40 °C	6050/3111-22521-000-1	218060	61	24.000
	HSE	Ex tb IIIC T110 °C Db	-20 °C ... +40 °C	6050/3111-32521-000-1	226885	61	24.000
400 W	HIE	Ex tb IIIC T127 °C Db	-20 °C ... +40 °C	6050/3111-24021-000-1	219081	61	28.000
	HSE	Ex tb IIIC T130 °C Db	-20 °C ... +40 °C	6050/3111-34021-000-1	218371	61	26.500

## Selection Table

Design size:	3
Version:	with two insert threads M10
Wire guard:	No
Lampholder:	E40
Gas explosion protection IECEx:	Ex de IIC T4 Gb
Ambient temperature gas Ex-area °C:	-20 °C ... +50 °C
Type of protection (IP):	IP66

Lamp wattage	Lamps	Dust explosion protection IECEx	Ambient temperature dust Ex-area °C	Product Type	Art. No.	PS	Weight kg
150 W	HSE	Ex tb IIIC T100 °C Db	-20 °C ... +50 °C	6050/3111-31521-000-1	226884	61	24.000

Lamp type:	HIE = metal halide lamp HSE = high-pressure sodium vapour lamp
------------	---

## Technical Data

### Explosion Protection

Certificate IECEx Gas	IECEx PTB 06.0049X
-----------------------	--------------------

Certificate ATEX Gas	PTB 03 ATEX 1096
----------------------	------------------

Certificate IECEx Dust	IECEx PTB 06.0049X
------------------------	--------------------

Certificate ATEX Dust	PTB 03 ATEX 1096
-----------------------	------------------

Certificates	ATEX (PTB), China (CQST), EAC (STV), IECEx (PTB)
--------------	--

Ship approval	RS
---------------	----

### Electrical Data

Rated operational voltage AC	230 – 230 V
------------------------------	-------------

Frequency range	50 – 50 Hz
-----------------	------------

Compensation	with
--------------	------

### Lighting Data

Lamp type	High intensity discharge lamp
-----------	-------------------------------

### Mechanical Data

Protection class	I (internal + external PE)
------------------	----------------------------

Enclosure material	Aluminium, seawater resistant
--------------------	-------------------------------

Gasket material	Silicone
-----------------	----------

	Thermal shock resistant borosilicate glass
--	--

Connection terminals solid max.	4 mm <sup>2</sup>
---------------------------------	-------------------

Type of connection line	stranded solid finely-stranded
-------------------------	--------------------------------------

### Components

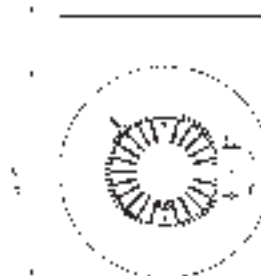
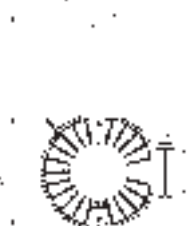
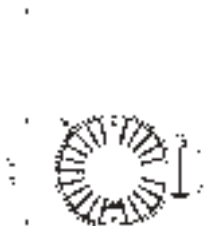
Cable entry	1 x M25 Ø 7 – 17 mm
-------------	---------------------

Plug	1 x M25 x 1,5
------	---------------

Accessories see page 583

E2

Dimensional Drawings (All Dimensions in mm [inches]) – Subject to Alterations



without wire guard

with wire guard

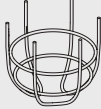

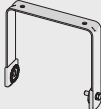
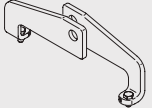

with external reflector



with mounting bracket

E2

	6050/1								6050/3								
	L	b	d1	d2	l	a	c	e	L	b	d1	d2	l	a	c	e	
Without wire guard	392	178	236						530	240	360						
With wire guard	409	178	236						556	240	360						
With external reflector	392	178		440					534	240		760					
With mounting bracket	525	178	236		230	299	279	200	770	240	360		420	427	407	300	

Accessories and Spare Parts				
Figure	Description	Art. No.	PS	Weight kg
<b>Wire guard</b>				
	Complete with mounting parts Material: steel wire, stainless steel for 6050/11	118554	37	0.560
	Complete with mounting parts Material: steel wire, stainless steel for 6050/31	118561	36	1.450
	Complete with mounting parts Material: steel wire, stainless steel for 6050/51	221774	36	0.450
<b>External reflector</b>				
	spot beam Complete with mounting parts Material: high-polished aluminium for 6050/11 and 6050/51	118558 ▲	37	0.216
	broad beam Complete with mounting parts Material: high-polished aluminium for 6050/31	118572	37	0.670
<b>Mounting bracket</b>				
	Complete; stainless steel (for additional mounting) for 6050/11 and 6050/51	118557 ▲	37	2.100
	Complete; stainless steel (for additional mounting) for 6050/31	118564	37	4.000
<b>Single-point mounting</b>				
	The stainless steel mounting fixture is fastened to the enclosure of the pendant light fitting series 6050/11 and 6050/51 by means of two stainless steel screws M8.	118571	36	0.374
	The stainless steel mounting fixture is fastened to the enclosure of the pendant light fitting series 6050/31 by means of two stainless steel screws M8.	118574	36	0.600
<b>Ring bolt</b>				
	M8, direct mounting in insert nuts; 1 pair	115736 ▲	36	0.115
	M10, direct mounting in insert nuts; 1 pair	118560 ▲	36	0.210

E2



- Pendant light fitting Zones 2, 21 and 22 with highly efficient LEDs
- Wide voltage range from 100 ... 277 V AC
- Optionally, with or without internal reflector for adjusting to the illumination task
- Low-maintenance due to long service life of up to 100,000 operating hours

WebCode **6470B**

Due to the flexibility of the internal and external reflector, the LED 6470/5 pendant light fitting can take care of any lighting task. The cleverly designed combination of electronic driver and high-performance LED guarantees a long service life, high efficiency and enables use in the input voltage range of 100 V to 277 V AC. The universal cover with integrated fixing holes enables pendant and ceiling mounting. Another cover enables pole and wall mounting.

E2

	ATEX / IECEx					
Zone	0	1	2	20	21	22
Installation in			•		•	•

Selection Table						
Reflector:	No					
Luminous flux:	8000 lm					
Luminaire efficiency:	100 lm/W					
Version	Cable entry	Product Type	Art. No.	PS	Weight kg	
Pendant or ceiling mounting	2 x M25 x 1.5 2 x M20 x 1.5	6470/5121-5081-1010-0	247346	64	6.150	
Pole 25°	1 1/2" BSP for pole mounting	6470/5153-5081-1010-0	247350	64	6.290	
wall-mounting light fittings	2 x M25 x 1.5 2 x M20 x 1.5	6470/5141-5081-1010-0	247348	64	7.050	
Reflector:	Yes					
Luminous flux:	7850 lm					
Luminaire efficiency:	98 lm/W					
Version	Cable entry	Product Type	Art. No.	PS	Weight kg	
Pendant or ceiling mounting	2 x M25 x 1.5 2 x M20 x 1.5	6470/5121-5081-1110-0	247347	64	8.250	
Pole 25°	1 1/2" BSP for pole mounting	6470/5153-5081-1110-0	247481	64	6.290	
wall-mounting light fittings	2 x M25 x 1.5 2 x M20 x 1.5	6470/5141-5081-1110-0	247349	64	7.050	

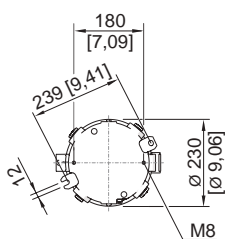
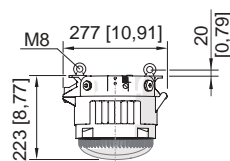
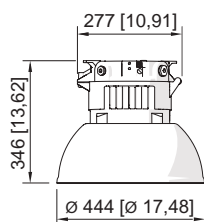
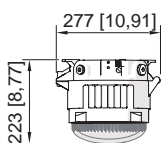
All versions can be installed directly. For the ceiling-mounted or pendant light fitting version, the appropriate bracket can be ordered as an accessory if you wish to install the light fitting using a bracket, or ring eyes can be ordered as accessories if you wish to suspend the light fitting. Cable glands are not supplied with the product. The openings are sealed with stopping plugs.

## Technical Data

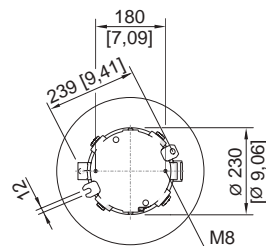
Explosion Protection	
Certificate IECEX Gas	IECEX PTB 15.0029
Certificate ATEX Gas	PTB 15 ATEX 2008
Certificate IECEX Dust	IECEX PTB 15.0029
Certificate ATEX Dust	PTB 15 ATEX 2007
Ambient temperature °C	-40 ... +60 °C
Gas explosion protection IECEX	Ex nR IIC T6 Gc
Gas explosion protection ATEX	Ex II 3 G Ex nR IIC T6 Gc
Dust explosion protection IECEX	Ex tb IIIC T80 °C Db
Dust explosion protection ATEX	Ex II 2 D Ex tb IIIC T80 °C Db
Certificates	ATEX (PTB), IECEX (PTB), India (PESO)
Electrical Data	
Rated operational voltage AC	170 – 240 V
Frequency range	50 – 60 Hz
Lighting Data	
Lamp wattage	80 W
Lamps	LED
CCT	cold white
Colour Rendering	≥ 70
Colour temperature	5700 K
Mechanical Data	
Type of protection (IP)	IP66
Protection class	I (internal PE connection)
Enclosure material	Aluminium, seawater resistant
Gasket material	Silicone
Connection terminals solid max.	4 mm <sup>2</sup>
Type of connection line	solid finely-stranded
Enclosure colour	pebble grey similar RAL 7032
Components	
Wire guard	No

E2

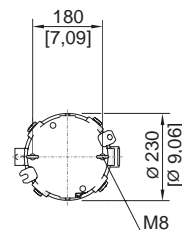
## Dimensional Drawings (All Dimensions in mm [inches]) – Subject to Alterations



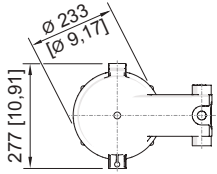
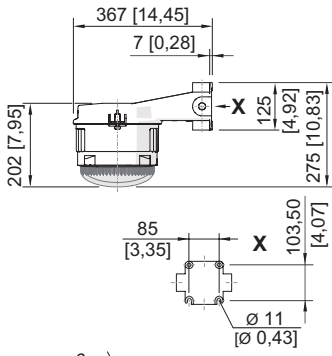
Ceiling mounting without wire guard



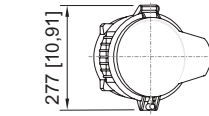
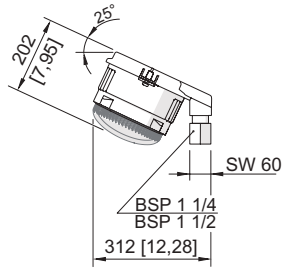
Ceiling mounting with reflector



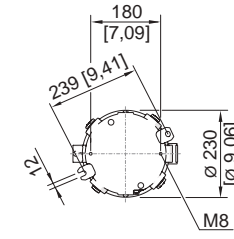
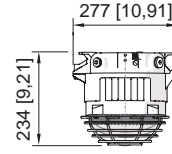
Pendant mounting by means of ring bolts



Wall mounting



Pole mounting



Ceiling mounting with wire guard



- Choice of power outputs, additional reflectors and different installation options offers flexibility
- Lamp types: High-pressure sodium-vapour lamps (HSE), halogen metal-vapour lamps (HIE), halogen bulbs (QT)
- Ex Zones 2, 21 and 22

WebCode 6470C



The 6470 series IECEx pendant light fitting is highly adaptable. A variety of lamp types and power outputs are available, as well as additional reflectors, to make this lamp the perfect choice, whatever the application. It can be suspended, wall-mounted, ceiling-mounted or installed directly on a suitable surface. With the addition of special covers, it can also be fitted directly to poles and walls. The powder-coated enclosure is made from seawater-resistant aluminium.

	ATEX / IECEx					
Zone	0	1	2	20	21	22
Installation in			•		•	•

E2

Selection Table							
Design size:	1						
Version:	Pendant or ceiling mounting						
Cable entry:	2 x M20 x 1.5 2 x M25 x 1.5						
Lampholder:	E27						
Ambient temperature °C:	-30 ... +55 °C						
Lamp wattage	Lamps	Gas explosion protection IECEx	Dust explosion protection IECEx	Product Type	Art. No.	PS	Weight kg
70 W	HIE	Ex nR IIC T4 Gc	Ex tb IIIC T112 °C	6470/2121-2071-100-2	237863	61	8.600
	HSE	Ex nR IIC T4 Gc	Ex tb IIIC T112 °C	6470/2121-3071-100-2	237857	61	8.300
100 W	HIE	Ex nR IIC T4 Gc	Ex tb IIIC T125 °C	6470/2121-2101-100-2	237869	61	8.400
150 W	HIE	Ex nR IIC T3 Gc	Ex tb IIIC T147 °C	6470/2121-2151-100-2	237881	61	9.200
	QT	Ex nR IIC T4 Gc	Ex tb IIIC T121 °C	6470/2121-1151-000-2	224280	61	9.400
250 W	QT	Ex nR IIC T3 Gc	Ex tb IIIC T149 °C	6470/2121-1251-000-2	224244	61	9.400
Design size:	1						
Version:	Pole 25°						
Cable entry:	1 1/2" BSP for pole mounting						
Lampholder:	E27						
Ambient temperature °C:	-30 ... +55 °C						
Lamp wattage	Lamps	Gas explosion protection IECEx	Dust explosion protection IECEx	Product Type	Art. No.	PS	Weight kg
70 W	HSE	Ex nR IIC T4 Gc	Ex tb IIIC T112 °C	6470/2153-3071-100-2	241134	61	8.600

## Selection Table

Design size:		1					
Version:		Pole 25°					
Cable entry:		1 1/2" BSP for pole mounting					
Lampholder:		E27					
Ambient temperature °C:		-30 ... +55 °C					
Lamp wattage	Lamps	Gas explosion protection IECEx	Dust explosion protection IECEx	Product Type	Art. No.	PS	Weight kg
150 W	QT	Ex nR IIC T4 Gc	Ex tb IIIC T121 °C	6470/2153-1151-000-2	224305	61	9.400
250 W	QT	Ex nR IIC T3 Gc	Ex tb IIIC T149 °C	6470/2153-1251-000-2	224306	61	9.400
Design size:		1					
Version:		Pole 25°					
Cable entry:		1 1/4" BSP for pole mounting					
Lampholder:		E27					
Ambient temperature °C:		-30 ... +55 °C					
Lamp wattage	Lamps	Gas explosion protection IECEx	Dust explosion protection IECEx	Product Type	Art. No.	PS	Weight kg
70 W	HIE	Ex nR IIC T4 Gc	Ex tb IIIC T112 °C	6470/2152-2071-100-2	237865	61	8.600
	HSE	Ex nR IIC T4 Gc	Ex tb IIIC T112 °C	6470/2152-3071-100-2	237859	61	9.400
100 W	HIE	Ex nR IIC T4 Gc	Ex tb IIIC T125 °C	6470/2152-2101-100-2	237871	61	8.600
150 W	HIE	Ex nR IIC T3 Gc	Ex tb IIIC T147 °C	6470/2152-2151-100-2	237883	61	9.400
	QT	Ex nR IIC T4 Gc	Ex tb IIIC T121 °C	6470/2152-1151-000-2	224295	61	9.400
250 W	QT	Ex nR IIC T3 Gc	Ex tb IIIC T149 °C	6470/2152-1251-000-2	224248	61	9.400
Design size:		1					
Version:		wall-mounting light fittings					
Cable entry:		2 x M20 x 1.5 2 x M25 x 1.5					
Lampholder:		E27					
Ambient temperature °C:		-30 ... +55 °C					
Lamp wattage	Lamps	Gas explosion protection IECEx	Dust explosion protection IECEx	Product Type	Art. No.	PS	Weight kg
70 W	HIE	Ex nR IIC T4 Gc	Ex tb IIIC T112 °C	6470/2141-2071-100-2	237864	61	9.000
	HSE	Ex nR IIC T4 Gc	Ex tb IIIC T112 °C	6470/2141-3071-100-2	237858	61	9.000
100 W	HIE	Ex nR IIC T4 Gc	Ex tb IIIC T125 °C	6470/2141-2101-100-2	237870	61	9.000
150 W	HIE	Ex nR IIC T3 Gc	Ex tb IIIC T147 °C	6470/2141-2151-100-2	237882	61	9.900
	QT	Ex nR IIC T4 Gc	Ex tb IIIC T121 °C	6470/2141-1151-000-2	224293	61	9.000
250 W	QT	Ex nR IIC T3 Gc	Ex tb IIIC T149 °C	6470/2141-1251-000-2	224246	61	9.000
Design size:		2					
Version:		Pendant or ceiling mounting					
Cable entry:		2 x M20 x 1.5 2 x M25 x 1.5					
Lampholder:		E40					
Ambient temperature °C:		-30 ... +55 °C					
Lamp wattage	Lamps	Gas explosion protection IECEx	Dust explosion protection IECEx	Product Type	Art. No.	PS	Weight kg
100 W	HSE	Ex nR IIC T4 Gc	Ex tb IIIC T117 °C	6470/2221-3102-100-2	237875	61	8.700
150 W	HSE	Ex nR IIC T3 Gc	Ex tb IIIC T140 °C	6470/2221-3152-100-2	237887	61	9.600
Design size:		2					
Version:		Pendant or ceiling mounting					
Cable entry:		2 x M25 x 1.5 2 x M20 x 1.5					
Lampholder:		E40					
Ambient temperature °C:		-30 ... +55 °C					
Lamp wattage	Lamps	Gas explosion protection IECEx	Dust explosion protection IECEx	Product Type	Art. No.	PS	Weight kg
250 W	HSE	Ex nR IIC T3 Gc	Ex tb IIIC T167 °C	6470/2221-6252-100-2	224250	61	9.700
	HIE						

Selection Table							
Design size:		2					
Version:		Pole 25°					
Cable entry:		1 1/2" BSP for pole mounting					
Lampholder:		E40					
Ambient temperature °C:		-30 ... +55 °C					
Lamp wattage	Lamps	Gas explosion protection IECEx	Dust explosion protection IECEx	Product Type	Art. No.	PS	Weight kg
100 W	HSE	Ex nR IIC T4 Gc	Ex tb IIIC T117 °C	6470/2253-3102-100-2	224344	61	9.100
150 W	HSE	Ex nR IIC T3 Gc	Ex tb IIIC T140 °C	6470/2253-3152-100-2	224345	61	9.950
250 W	HIE	Ex nR IIC T3 Gc	Ex tb IIIC T167 °C	6470/2252-6252-100-2	224252	61	9.960
	HSE						
	HSE HIE	Ex nR IIC T3 Gc	Ex tb IIIC T167 °C	6470/2253-6252-100-2	260761	61	9.960
Design size:		2					
Version:		Pole 25°					
Cable entry:		1 1/4" BSP for pole mounting					
Lampholder:		E40					
Ambient temperature °C:		-30 ... +55 °C					
Lamp wattage	Lamps	Gas explosion protection IECEx	Dust explosion protection IECEx	Product Type	Art. No.	PS	Weight kg
100 W	HSE	Ex nR IIC T4 Gc	Ex tb IIIC T117 °C	6470/2252-3102-100-2	237877	61	9.100
150 W	HSE	Ex nR IIC T3 Gc	Ex tb IIIC T140 °C	6470/2252-3152-100-2	237889	61	9.100
Design size:		2					
Version:		wall-mounting light fittings					
Cable entry:		2 x M20 x 1.5 2 x M25 x 1.5					
Lampholder:		E40					
Ambient temperature °C:		-30 ... +55 °C					
Lamp wattage	Lamps	Gas explosion protection IECEx	Dust explosion protection IECEx	Product Type	Art. No.	PS	Weight kg
100 W	HSE	Ex nR IIC T4 Gc	Ex tb IIIC T117 °C	6470/2241-3102-100-2	237876	61	9.400
150 W	HSE	Ex nR IIC T3 Gc	Ex tb IIIC T140 °C	6470/2241-3152-100-2	237888	61	10.300
250 W	HSE HIE	Ex nR IIC T3 Gc	Ex tb IIIC T167 °C	6470/2241-6252-100-2	258732	61	10.400
Design size:		2					
Version:		wall-mounting light fittings					
Cable entry:		2 x M25 x 1.5 2 x M20 x 1.5					
Lampholder:		E40					
Ambient temperature °C:		-30 ... +55 °C					
Lamp wattage	Lamps	Gas explosion protection IECEx	Dust explosion protection IECEx	Product Type	Art. No.	PS	Weight kg
250 W	HSE HIE	Ex nR IIC T3 Gc	Ex tb IIIC T167 °C	6470/2241-6252-100-2	224251	61	10.400
Design size:		3					
Version:		Pendant or ceiling mounting					
Cable entry:		2 x M20 x 1.5 2 x M25 x 1.5					
Lampholder:		E40					
Ambient temperature °C:		-30 ... +55 °C					
Lamp wattage	Lamps	Gas explosion protection IECEx	Dust explosion protection IECEx	Product Type	Art. No.	PS	Weight kg
400 W	HSE HIE	Ex nR IIC T3 Gc	Ex tb IIIC T162 °C	6470/2321-6402-100-2	224255	61	16.700
500 W	QT	Ex nR IIC T3 Gc	Ex tb IIIC T142 °C	6470/2321-1502-000-2	224253	61	13.000

E2

## Selection Table

Design size:		3					
Version:		Pendant or ceiling mounting					
Cable entry:		2 x M25 x 1.5 2 x M20 x 1.5					
Lampholder:		E40					
Ambient temperature °C:		-30 ... +55 °C					
Lamp wattage	Lamps	Gas explosion protection IECEX	Dust explosion protection IECEX	Product Type	Art. No.	PS	Weight kg
250 W	HSE HIE	Ex nR IIC T3 Gc	Ex tb IIIC T167 °C	6470/2321-6252-100-2	224254	61	14.000
Design size:		3					
Version:		wall-mounting light fittings					
Cable entry:		2 x M20 x 1.5 2 x M25 x 1.5					
Lampholder:		E40					
Ambient temperature °C:		-30 ... +55 °C					
Lamp wattage	Lamps	Gas explosion protection IECEX	Dust explosion protection IECEX	Product Type	Art. No.	PS	Weight kg
500 W	QT	Ex nR IIC T3 Gc	Ex tb IIIC T142 °C	6470/2341-1502-000-2	224256	61	15.000
Design size:		3					
Version:		wall-mounting light fittings					
Cable entry:		2 x M25 x 1.5 2 x M20 x 1.5					
Lampholder:		E40					
Ambient temperature °C:		-30 ... +55 °C					
Lamp wattage	Lamps	Gas explosion protection IECEX	Dust explosion protection IECEX	Product Type	Art. No.	PS	Weight kg
250 W	HSE HIE	Ex nR IIC T3 Gc	Ex tb IIIC T167 °C	6470/2341-6252-100-2	224257	61	15.900
400 W	HIE HSE	Ex nR IIC T3 Gc	Ex tb IIIC T162 °C	6470/2341-6402-100-2	224258	61	18.600

All versions can be installed directly. For the ceiling-mounted or pendant light fitting version, the appropriate bracket can be ordered as an accessory if you wish to install the light fitting using a bracket, or ring eyes can be ordered as accessories if you wish to suspend the light fitting.

Cable glands are not supplied with the product. The openings are sealed with stopping plugs.

All variants with gas discharge lamps are compensated

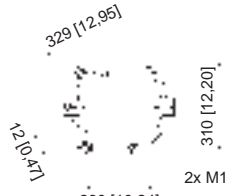
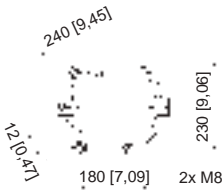
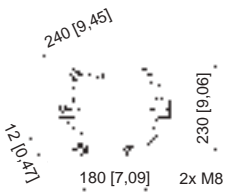
Lamp type:  
 QT = halogen lamp  
 HIE = metal halide lamp  
 HSE = high-pressure sodium vapour lamp

## Technical Data

Explosion Protection	
Certificate IECEX Gas	IECEX PTB 06.0007
Certificate ATEX Gas	PTB 05 ATEX 2045
Certificate IECEX Dust	IECEX PTB 06.0007
Certificate ATEX Dust	PTB 05 ATEX 2043
Certificates	ATEX (PTB), IECEX (PTB)
Electrical Data	
Rated operational voltage AC	230 – 230 V
Frequency range	50 – 50 Hz
Mechanical Data	
Type of protection (IP)	IP66
Protection class	I (PE connection)
Enclosure material	Aluminium, seawater resistant
Gasket material	Silicone
	Thermal shock resistant borosilicate glass
Connection terminals solid max.	4 mm <sup>2</sup>

Technical Data	
Mechanical Data	
Type of connection line	solid finely-stranded
Enclosure colour	pebble grey similar RAL 7032
Components	
Wire guard	No

Dimensional Drawings (All Dimensions in mm [inches]) – Subject to Alterations



Pendant Light Fitting Size 1

Pendant Light Fitting Size 2

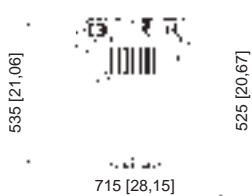
Pendant Light Fitting Size 3



Pendant Light Fitting Size 1 with wire guard

Pendant Light Fitting Size 2 with wire guard

Pendant Light Fitting Size 3 with wire guard

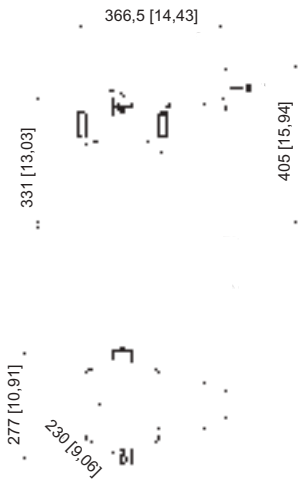


Pendant Light Fitting Size 1 with reflector

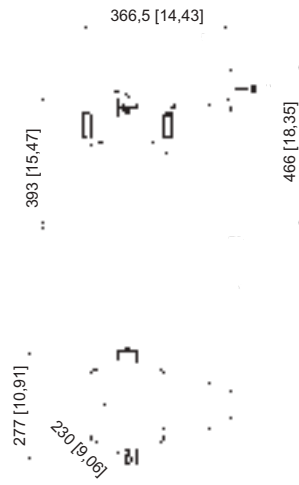
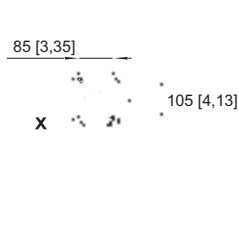
Pendant Light Fitting Size 2 with reflector

Pendant Light Fitting Size 3 with reflector

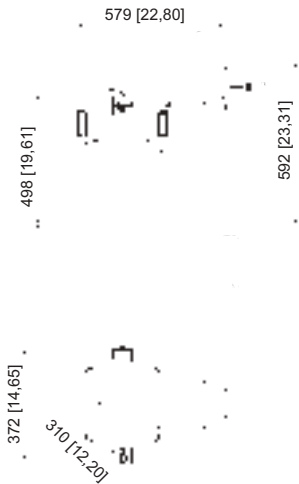
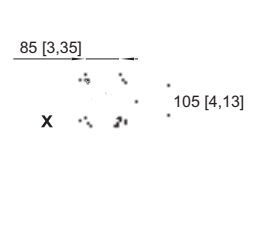
E2



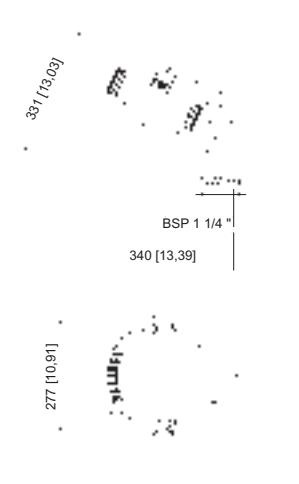
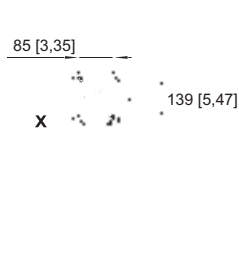
Pendant Light Fitting Size 1 wall mounting



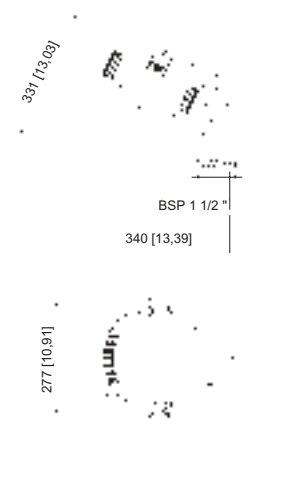
Pendant Light Fitting Size 2 wall mounting



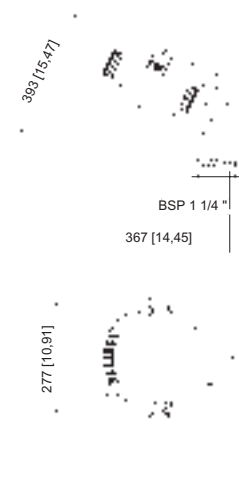
Pendant Light Fitting Size 3 wall mounting



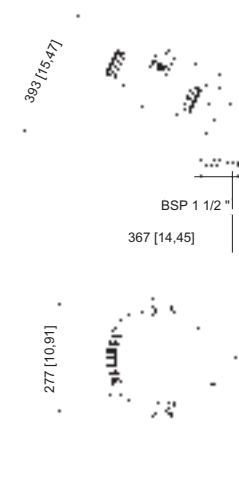
Pendant Light Fitting Size 1 pole mounting BSP 1 1/4"



Pendant Light Fitting Size 1 pole mounting BSP 1 1/2"



Pendant Light Fitting Size 2 pole mounting BSP 1 1/4"



Pendant Light Fitting Size 2 pole mounting BSP 1 1/2"

E2



- Floodlight Zones 1, 2 and 21, 22 with highly efficient LEDs
- Low-maintenance due to long service life of up to 100,000 operating hours

WebCode 6125A



The LED 6525 floodlight is ideal for lighting up areas from greater mounting heights. Three different light distribution types enable adjustment to fulfil the lighting task. The long service life of the highly efficient LEDs reduces energy and maintenance costs. This means that the floodlight can also be mounted in locations that are difficult to access. For normal application areas, the floodlight is designed with a single powder coating and a bracket made from single-coated sheet steel. There is also a variant with a double powder coating and double-coated bracket made of stainless steel 316L specifically for offshore areas.

E2

	ATEX / IECEx					
Zone	0	1	2	20	21	22
Installation in		•	•		•	•

Selection Table						
Enclosure material:	Sheet steel, powder-coated single powder-coated					
Lamp wattage:	120 W					
Light distribution:	medium beam					
Luminous flux:	11155 lm					
Luminaire efficiency:	94 lm/W					
Dust explosion protection IECEx:	Ex tb IIIC T80 °C Db					
Dust explosion protection ATEX:	⊕ II 2 D Ex tb IIIC T80 °C Db					
Max. ambient temperature:	+50 °C					
Dust explosion protection IECEx 2:	Ex tb IIIC T80 °C					
Dust Explosion Protection ATEX 2:	⊕ II Ex tb IIIC T80 °C					
Max. ambient temperature 2:	+50 °C					
Mounting	Cable entry	Cable entry accessories	Product Type	Art. No.	PS	Weight kg
with bracket, Sheet steel	2 x M20 Ø 4 – 13 mm	1 x with blanking plug	6125/1112-2131-5021-111	254079	64	23.000
	2 x M25 Ø 7 – 17 mm	1 x with blanking plug	6125/1112-2131-5011-111	254063	64	23.000

### Selection Table

Enclosure material:		Sheet steel, powder-coated single powder-coated				
Lamp wattage:		120 W				
Light distribution:		narrow beam				
Luminous flux:		12081 lm				
Luminaire efficiency:		101 lm/W				
Dust explosion protection IECEx:		Ex tb IIIC T80 °C Db				
Dust explosion protection ATEX:		⊕ II 2 D Ex tb IIIC T80 °C Db				
Max. ambient temperature:		+50 °C				
Dust explosion protection IECEx 2:		Ex tb IIIC T80 °C				
Dust Explosion Protection ATEX 2:		⊕ II Ex tb IIIC T80 °C				
Max. ambient temperature 2:		+50 °C				
Mounting	Cable entry	Cable entry accessories	Product Type	Art. No.	PS	Weight kg
with bracket, Sheet steel	2 x M20 Ø 4 – 13 mm	1 x with blanking plug	6125/1111-2131-5021-111	254078	64	23.000
	2 x M25 Ø 7 – 17 mm	1 x with blanking plug	6125/1111-2131-5011-111	254062	64	23.000
Enclosure material:		Sheet steel, powder-coated single powder-coated				
Lamp wattage:		120 W				
Light distribution:		wide beam				
Luminous flux:		11763 lm				
Luminaire efficiency:		98 lm/W				
Dust explosion protection IECEx:		Ex tb IIIC T80 °C Db				
Dust explosion protection ATEX:		⊕ II 2 D Ex tb IIIC T80 °C Db				
Max. ambient temperature:		+50 °C				
Dust explosion protection IECEx 2:		Ex tb IIIC T80 °C				
Dust Explosion Protection ATEX 2:		⊕ II Ex tb IIIC T80 °C				
Max. ambient temperature 2:		+50 °C				
Mounting	Cable entry	Cable entry accessories	Product Type	Art. No.	PS	Weight kg
with bracket, Sheet steel	2 x M20 Ø 4 – 13 mm	1 x with blanking plug	6125/1114-2131-5021-111	254080	64	23.000
	2 x M25 Ø 7 – 17 mm	1 x with blanking plug	6125/1114-2131-5011-111	254064	64	23.000
Enclosure material:		Sheet steel, powder-coated single powder-coated				
Lamp wattage:		210 W				
Light distribution:		medium beam				
Luminous flux:		18361 lm				
Luminaire efficiency:		87 lm/W				
Dust explosion protection IECEx:		Ex tb IIIC T80 °C Db				
Dust explosion protection ATEX:		⊕ II 2 D Ex tb IIIC T80 °C Db				
Max. ambient temperature:		+45 °C				
Dust explosion protection IECEx 2:		Ex tb IIIC T95 °C				
Dust Explosion Protection ATEX 2:		⊕ II Ex tb IIIC T95 °C				
Max. ambient temperature 2:		+50 °C				
Mounting	Cable entry	Cable entry accessories	Product Type	Art. No.	PS	Weight kg
with bracket, Sheet steel	2 x M20 Ø 4 – 13 mm	1 x with blanking plug	6125/1112-4231-5021-111	254104	64	29.500
	2 x M25 Ø 7 – 17 mm	1 x with blanking plug	6125/1112-4231-5011-111	254098	64	29.500
Enclosure material:		Sheet steel, powder-coated single powder-coated				
Lamp wattage:		210 W				
Light distribution:		narrow beam				
Luminous flux:		19979 lm				
Luminaire efficiency:		95 lm/W				
Dust explosion protection IECEx:		Ex tb IIIC T80 °C Db				
Dust explosion protection ATEX:		⊕ II 2 D Ex tb IIIC T80 °C Db				
Max. ambient temperature:		+45 °C				
Dust explosion protection IECEx 2:		Ex tb IIIC T95 °C				
Dust Explosion Protection ATEX 2:		⊕ II Ex tb IIIC T95 °C				
Max. ambient temperature 2:		+50 °C				
Mounting	Cable entry	Cable entry accessories	Product Type	Art. No.	PS	Weight kg
with bracket, Sheet steel	2 x M20 Ø 4 – 13 mm	1 x with blanking plug	6125/1111-4231-5021-111	254103	64	29.500
	2 x M25 Ø 7 – 17 mm	1 x with blanking plug	6125/1111-4231-5011-111	254097	64	29.500

Selection Table						
Enclosure material:		Sheet steel, powder-coated single powder-coated				
Lamp wattage:		210 W				
Light distribution:		wide beam				
Luminous flux:		19658 lm				
Luminaire efficiency:		94 lm/W				
Dust explosion protection IECEx:		Ex tb IIIC T80 °C Db				
Dust explosion protection ATEX:		⊕ II 2 D Ex tb IIIC T80 °C Db				
Max. ambient temperature:		+45 °C				
Dust explosion protection IECEx 2:		Ex tb IIIC T95 °C				
Dust Explosion Protection ATEX 2:		⊕ II Ex tb IIIC T95 °C				
Max. ambient temperature 2:		+50 °C				
Mounting	Cable entry	Cable entry accessories	Product Type	Art. No.	PS	Weight kg
with bracket, Sheet steel	2 x M20 Ø 4 – 13 mm	1 x with blanking plug	6125/1114-4231-5021-111	254105	64	29.500
	2 x M25 Ø 7 – 17 mm	1 x with blanking plug	6125/1114-4231-5011-111	254099	64	29.500
Enclosure material:		Stainless steel 1.4404, powder-coated double powder-coated				
Lamp wattage:		120 W				
Light distribution:		medium beam				
Luminous flux:		11155 lm				
Luminaire efficiency:		94 lm/W				
Dust explosion protection IECEx:		Ex tb IIIC T80 °C Db				
Dust explosion protection ATEX:		⊕ II 2 D Ex tb IIIC T80 °C Db				
Max. ambient temperature:		+50 °C				
Dust explosion protection IECEx 2:		Ex tb IIIC T80 °C				
Dust Explosion Protection ATEX 2:		⊕ II Ex tb IIIC T80 °C				
Max. ambient temperature 2:		+50 °C				
Mounting	Cable entry	Cable entry accessories	Product Type	Art. No.	PS	Weight kg
with bracket, SS316L	2 x M20 Ø 4 – 13 mm	1 x with blanking plug	6125/1112-2131-5021-242	254091	64	23.000
	2 x M25 Ø 7 – 17 mm	1 x with blanking plug	6125/1112-2131-5011-242	254085	64	23.000
Enclosure material:		Stainless steel 1.4404, powder-coated double powder-coated				
Lamp wattage:		120 W				
Light distribution:		narrow beam				
Luminous flux:		12081 lm				
Luminaire efficiency:		101 lm/W				
Dust explosion protection IECEx:		Ex tb IIIC T80 °C Db				
Dust explosion protection ATEX:		⊕ II 2 D Ex tb IIIC T80 °C Db				
Max. ambient temperature:		+50 °C				
Dust explosion protection IECEx 2:		Ex tb IIIC T80 °C				
Dust Explosion Protection ATEX 2:		⊕ II Ex tb IIIC T80 °C				
Max. ambient temperature 2:		+50 °C				
Mounting	Cable entry	Cable entry accessories	Product Type	Art. No.	PS	Weight kg
with bracket, SS316L	2 x M20 Ø 4 – 13 mm	1 x with blanking plug	6125/1111-2131-5021-242	254090	64	23.000
	2 x M25 Ø 7 – 17 mm	1 x with blanking plug	6125/1111-2131-5011-242	254084	64	23.000
Enclosure material:		Stainless steel 1.4404, powder-coated double powder-coated				
Lamp wattage:		120 W				
Light distribution:		wide beam				
Luminous flux:		11763 lm				
Luminaire efficiency:		98 lm/W				
Dust explosion protection IECEx:		Ex tb IIIC T80 °C Db				
Dust explosion protection ATEX:		⊕ II 2 D Ex tb IIIC T80 °C Db				
Max. ambient temperature:		+50 °C				
Dust explosion protection IECEx 2:		Ex tb IIIC T80 °C				
Dust Explosion Protection ATEX 2:		⊕ II Ex tb IIIC T80 °C				
Max. ambient temperature 2:		+50 °C				
Mounting	Cable entry	Cable entry accessories	Product Type	Art. No.	PS	Weight kg
with bracket, SS316L	2 x M20 Ø 4 – 13 mm	1 x with blanking plug	6125/1114-2131-5021-242	254092	64	23.000
	2 x M25 Ø 7 – 17 mm	1 x with blanking plug	6125/1114-2131-5011-242	254086	64	23.000

E2

### Selection Table

Enclosure material:	Stainless steel 1.4404, powder-coated double powder-coated
Lamp wattage:	210 W
Light distribution:	medium beam
Luminous flux:	18361 lm
Luminaire efficiency:	87 lm/W
Dust explosion protection IECEx:	Ex tb IIIC T80 °C Db
Dust explosion protection ATEX:	Ⓜ II 2 D Ex tb IIIC T80 °C Db
Max. ambient temperature:	+45 °C
Dust explosion protection IECEx 2:	Ex tb IIIC T95 °C
Dust Explosion Protection ATEX 2:	Ⓜ II Ex tb IIIC T95 °C
Max. ambient temperature 2:	+50 °C

Mounting	Cable entry	Cable entry accessories	Product Type	Art. No.	PS	Weight kg
with bracket, SS316L	2 x M20 Ø 4 – 13 mm	1 x with blanking plug	6125/1112-4231-5021-242	254116	64	29.500
	2 x M25 Ø 7 – 17 mm	1 x with blanking plug	6125/1112-4231-5011-242	254110	64	29.500

Enclosure material:	Stainless steel 1.4404, powder-coated double powder-coated
Lamp wattage:	210 W
Light distribution:	narrow beam
Luminous flux:	19979 lm
Luminaire efficiency:	95 lm/W
Dust explosion protection IECEx:	Ex tb IIIC T80 °C Db
Dust explosion protection ATEX:	Ⓜ II 2 D Ex tb IIIC T80 °C Db
Max. ambient temperature:	+45 °C
Dust explosion protection IECEx 2:	Ex tb IIIC T95 °C
Dust Explosion Protection ATEX 2:	Ⓜ II Ex tb IIIC T95 °C
Max. ambient temperature 2:	+50 °C

Mounting	Cable entry	Cable entry accessories	Product Type	Art. No.	PS	Weight kg
with bracket, SS316L	2 x M20 Ø 4 – 13 mm	1 x with blanking plug	6125/1111-4231-5021-242	254115	64	29.500
	2 x M25 Ø 7 – 17 mm	1 x with blanking plug	6125/1111-4231-5011-242	254109	64	29.500

Enclosure material:	Stainless steel 1.4404, powder-coated double powder-coated
Lamp wattage:	210 W
Light distribution:	wide beam
Luminous flux:	19658 lm
Luminaire efficiency:	94 lm/W
Dust explosion protection IECEx:	Ex tb IIIC T80 °C Db
Dust explosion protection ATEX:	Ⓜ II 2 D Ex tb IIIC T80 °C Db
Max. ambient temperature:	+45 °C
Dust explosion protection IECEx 2:	Ex tb IIIC T95 °C
Dust Explosion Protection ATEX 2:	Ⓜ II Ex tb IIIC T95 °C
Max. ambient temperature 2:	+50 °C

Mounting	Cable entry	Cable entry accessories	Product Type	Art. No.	PS	Weight kg
with bracket, SS316L	2 x M20 Ø 4 – 13 mm	1 x with blanking plug	6125/1114-4231-5021-242	254117	64	29.500
	2 x M25 Ø 7 – 17 mm	1 x with blanking plug	6125/1114-4231-5011-242	254111	64	29.500

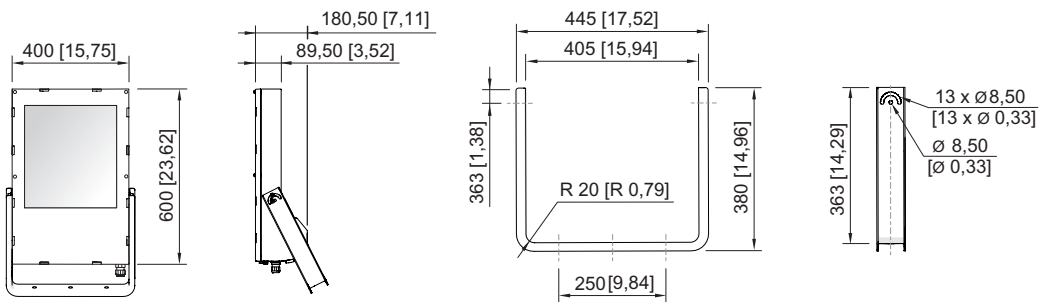
A cable entry and stopping plugs (both made from moulded material) come pre-installed.  
Fastening variant "with bracket": The bracket is supplied with the product and comes pre-installed.

### Technical Data

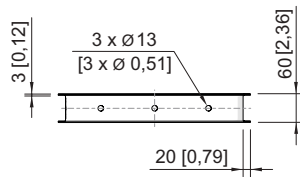
Explosion Protection	
Certificate IECEx Gas	IECEX EPS 15.0087
Certificate ATEX Gas	EPS 15 ATEX 1 114
Certificate IECEx Dust	IECEX EPS 15.0087
Gas explosion protection IECEx	Ex db eb op is IIB T4 Gb
Gas explosion protection ATEX	Ⓜ II 2 G Ex db eb op is IIB T4 Gb
Certificates	ATEX (BVIS), EAC (Sertium), IECEx (BVIS)

Technical Data	
Electrical Data	
Rated operational voltage AC	220 – 240 V
Frequency range	50 – 60 Hz
Ambient Conditions	
Min. ambient temperature	-30 °C
Storage temperature	-30 °C ... +75 °C
Lighting Data	
Lamps	LED
Colour Rendering	≥ 70
Colour temperature	5700 K
Mechanical Data	
Type of protection (IP)	IP66
Protection class	I
Gasket material	Silicone
Lens material	toughened glass
Connection terminals solid max.	4 mm <sup>2</sup>
Impact strength (IK code)	IK10 (IEC 62262)

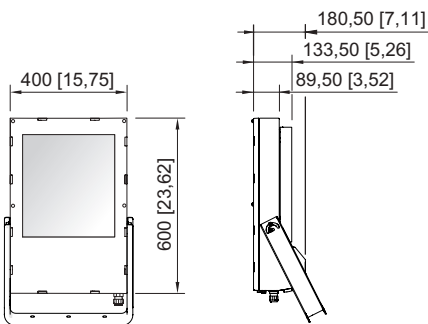
### Dimensional Drawings (All Dimensions in mm [inches]) – Subject to Alterations



Floodlight without cooling element


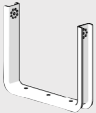


Mounting bracket



Floodlight with cooling element

E2

Accessories and Spare Parts				
Figure	Description	Art. No.	PS	Weight kg
<b>Ring bolt</b>				
	M6 (4 pieces), direct mounting in insert nuts	254234	36	0.202
<b>Mounting bracket</b>				
	Sheet steel, single powder coated	244604	36	2.591
	Stainless steel SS316L (1.4404 or V4A) without powder coating	221589	36	2.633



- For use in gas group IIC
- Usable in the temperature range from -40 ... +60 °C
- Material: Enclosure made of cast aluminium, mounting components in stainless steel
- Lamp options: halogen lamps (QT) up to 500 W, halogen metal halide lamps (HIT) up to 400 W, sodium vapour high pressure lamps (HST) up to 400 W

WebCode 6121B



The 6121 series floodlight for conventional lamp technologies is ideal for lighting up large areas from elevated positions. Two different light distribution types offer added versatility to fulfil your lighting needs. For normal application areas, the floodlight is designed with a single powder coating and a bracket made from single-coated sheet steel. Each variant is optionally available with a double powder coating and double-coated bracket made from 316L stainless steel specifically for offshore use.

	ATEX / IECEx					
Zone	0	1	2	20	21	22
Installation in		•	•		•	•

E2

Selection Table						
Lamp wattage:	150 W					
Lamp type:	High intensity discharge lamp					
Cable entry:	1 x M20 Ø 4 – 13 mm					
Plug:	2 x M20 x 1,5					
Connection terminals finely-stranded max.:	4 mm <sup>2</sup>					
Dust explosion protection IECEx:	Ex tb IIIC T106 °C Db					
Dust explosion protection ATEX:	⊕ II 2 D Ex tb IIIC T106 °C Db					
Light distribution	Enclosure material	Product Type	Art. No.	PS	Weight kg	
symmetric, broad beam	cast aluminium, seawater resistant double powder-coated	6121/1312-2151-1111-311-513-1	221521	38	38.250	
	cast aluminium, seawater resistant single powder-coated	6121/1312-2151-1111-111-514-2	221505	38	33.500	
symmetric, narrow beam	cast aluminium, seawater resistant double powder-coated	6121/1322-2151-1111-311-513-1	221577	38	38.250	
	cast aluminium, seawater resistant single powder-coated	6121/1322-2151-1111-111-514-2	221508	38	33.500	

## Selection Table

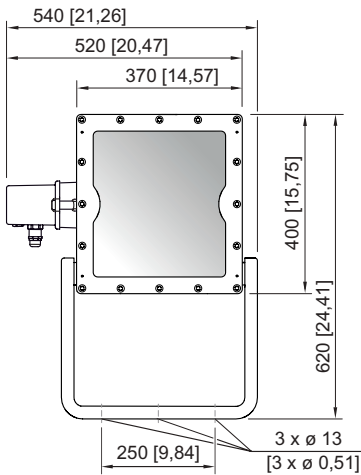
Lamp wattage:	250 W				
Lamp type:	High intensity discharge lamp				
Cable entry:	1 x M20 Ø 4 – 13 mm				
Plug:	2 x M20 x 1,5				
Connection terminals finely-stranded max.:	4 mm <sup>2</sup>				
Dust explosion protection IECEx:	Ex tb IIIC T140 °C Db				
Dust explosion protection ATEX:	⊕ II 2 D Ex tb IIIC T140 °C Db				
Light distribution	Enclosure material	Product Type	Art. No.	PS	Weight kg
symmetric, broad beam	cast aluminium, seawater resistant double powder-coated	6121/1312-2251-1111-311-513-1	221522	38	39.250
	cast aluminium, seawater resistant single powder-coated	6121/1312-2251-1111-111-514-2	221506	38	34.500
symmetric, narrow beam	cast aluminium, seawater resistant double powder-coated	6121/1322-2251-1111-311-513-1	221586	38	39.250
	cast aluminium, seawater resistant single powder-coated	6121/1322-2251-1111-111-514-2	221509	38	34.500
Lamp wattage:	400 W				
Lamp type:	High intensity discharge lamp				
Cable entry:	1 x M20 Ø 4 – 13 mm				
Plug:	2 x M20 x 1,5				
Connection terminals finely-stranded max.:	4 mm <sup>2</sup>				
Dust explosion protection IECEx:	Ex tb IIIC T172 °C Db				
Dust explosion protection ATEX:	⊕ II 2 D Ex tb IIIC T172 °C Db				
Light distribution	Enclosure material	Product Type	Art. No.	PS	Weight kg
symmetric, broad beam	cast aluminium, seawater resistant double powder-coated	6121/1312-2401-1111-311-513-1	221576	38	41.250
	cast aluminium, seawater resistant single powder-coated	6121/1312-2401-1111-111-514-2	221507	38	36.900
symmetric, narrow beam	cast aluminium, seawater resistant double powder-coated	6121/1322-2401-1111-311-513-1	221605	38	41.250
	cast aluminium, seawater resistant single powder-coated	6121/1322-2401-1111-111-514-2	221510	38	36.900
Lamp wattage:	500 W				
Lamp type:	Halogen lamp				
Cable entry:	1 x M20 Ø 4 – 13 mm				
Plug:	1 x M20 x 1,5				
Connection terminals finely-stranded max.:	4 mm <sup>2</sup>				
Dust explosion protection IECEx:	Ex tb IIIC T178 °C Db				
Dust explosion protection ATEX:	⊕ II 2 D Ex tb IIIC T178 °C Db				
Light distribution	Enclosure material	Product Type	Art. No.	PS	Weight kg
symmetric, broad beam	cast aluminium, seawater resistant single powder-coated	6121/1312-1500-0101-102-514-2	226109	38	27.000
symmetric, narrow beam	cast aluminium, seawater resistant single powder-coated	6121/1322-1500-0101-102-514-2	226110	38	27.000
Lamp wattage:	500 W				
Lamp type:	Halogen lamp				
Cable entry:	1 x M20 Ø 4 – 13 mm				
Plug:	1 x M20 x 1,5				
Connection terminals finely-stranded max.:	4 mm <sup>2</sup>				
Dust explosion protection IECEx:	Ex tb T178 °C Db				
Dust explosion protection ATEX:	⊕ II 2 D Ex tb T178 °C Db				
Light distribution	Enclosure material	Product Type	Art. No.	PS	Weight kg
symmetric, broad beam	cast aluminium, seawater resistant double powder-coated	6121/1312-1500-0101-102-513-1	221621	38	27.000
symmetric, narrow beam	cast aluminium, seawater resistant double powder-coated	6121/1322-1500-0101-102-513-1	221622	38	27.000

The luminaires are supplied without lamps. Please order them as accessories.

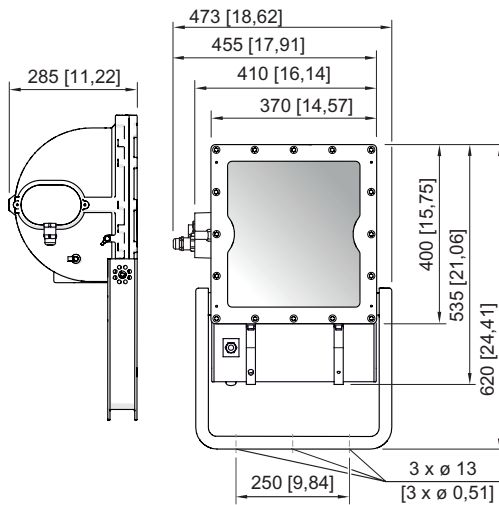
Technical Data	
Explosion Protection	
Certificate IECEX Gas	IECEX BVS 14.0071X
Certificate ATEX Gas	BVS 14 ATEX E 110 X
Certificate IECEX Dust	IECEX BVS 14.0071X
Certificate ATEX Dust	BVS 14 ATEX E 110 X
Gas explosion protection IECEX	Ex de IIC T3 Gb
Gas explosion protection IECEX 2	Ex de IIB+H2 T3 Gb
Gas explosion protection ATEX	Ⓜ II 2 G Ex de IIC T3 Gb
Gas explosion protection ATEX 2	Ⓜ II 2 G Ex de IIB+H2 T3 Gb
Certificates	ATEX (BVS), EAC (TehnoP), IECEX (BVS)
Electrical Data	
Rated operational voltage AC	230 – 230 V
Frequency range	50 – 50 Hz
Lighting Data	
Lampholder	E40
Notes	QT IEC 60357 HIT IEC 61167 HST IEC 60662
Mechanical Data	
Type of protection (IP)	IP66
Lens material	Safety glass

### Dimensional Drawings (All Dimensions in mm [inches]) – Subject to Alterations

E2



Floodlight, halogen (QT)



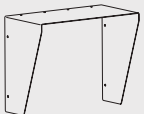

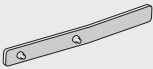


Floodlight, halogen metal halide lamps (HIT), high pressure sodium lamps (HST)

### Accessories and Spare Parts

Figure	Description	Art. No.	PS	Weight kg
Halogen metal halide lamps HIT				
	150 W; E40; 230 V, 14500 lm	109130 ▲	37	0.135
	250 W; E40; 230 V, 20000 lm	109132 ▲	37	0.200
	400 W; E40; 230 V, 42000 lm	109134 ▲	37	0.135

## Accessories and Spare Parts

Figure	Description	Art. No.	PS	Weight kg
<b>High pressure sodium lamp HST</b>				
	150 W; E40; 230 V; 17500 lm	109129 ▲	37	0.143
	250 W; E40; 230 V; 33200 lm	109131 ▲	37	0.149
	400 W; E40; 230 V; 56500 lm	109133 ▲	37	0.210
<b>Ring bolt</b>				
	M10, direct mounting in insert nuts; 1 pair	118560 ▲	36	0.210
<b>Light visor</b>				
	Anti-glare grid with accessories Material: stainless steel V2A (1.4301; X5Cr-Ni18-10; S 30400)	230041	36	2.300
<b>Impact protection grid</b>				
	Impact protection grid with accessories Material: stainless steel V2A (1.4301; X5Cr-Ni18-10; S 30400)	230045	36	0.500
<b>Box spanner</b>				
	Box spanner for opening and closing lamp enclosures and connection chambers	223778	36	0.350

E2



- Floodlight Zones 2, 21 and 22 with highly efficient LEDs
- Low-maintenance due to long service life of up to 100,000 operating hours

WebCode **6525A**



The 6525 series LED floodlight is ideal for lighting up large areas from elevated positions. Three different light distribution types offer added versatility to fulfil your lighting needs. The long service life of the highly efficient LEDs reduces energy and maintenance costs. This means that the floodlight can also be installed in locations that are difficult to access. For normal application areas, the floodlight is designed with an enclosure and a bracket made from single-coated sheet steel. Each variant is optionally available with an enclosure and bracket made from double-coated 316L stainless steel specifically for offshore use.

E2

	ATEX / IECEx					
Zone	0	1	2	20	21	22
Installation in			•		•	•

Selection Table						
Enclosure material:	Sheet steel, powder-coated single powder-coated					
Lamp wattage:	120 W					
Light distribution:	medium beam					
Luminous flux:	11155 lm					
Luminaire efficiency:	94 lm/W					
Gas explosion protection IECEx:	Ex nR op is IIC T6 Gc					
Gas explosion protection ATEX:	⊕ II 3 G Ex nR op is IIC T6 Gc					
Max. ambient temperature:	+50 °C					
Gas explosion protection IECEx 2:	Ex nR op is IIC T5 Gc					
Gas explosion protection ATEX 2:	⊕ II 3 G Ex nR op is IIC T5 Gc					
Max. ambient temperature 2:	+55 °C					
Mounting	Cable entry	Plug	Product Type	Art. No.	PS	Weight kg
with bracket, Sheet steel	2 x M20 Ø 4 – 13 mm	1 x M20 x 1,5	6525/1112-2101-5021-111	246713	64	16.120
	2 x M25 Ø 7 – 17 mm	1 x M25 x 1,5	6525/1112-2101-5011-111	246257	64	16.150

### Selection Table

Enclosure material:		Sheet steel, powder-coated single powder-coated				
Lamp wattage:		120 W				
Light distribution:		narrow beam				
Luminous flux:		12081 lm				
Luminaire efficiency:		101 lm/W				
Gas explosion protection IECEx:		Ex nR op is IIC T6 Gc				
Gas explosion protection ATEX:		⊕ II 3 G Ex nR op is IIC T6 Gc				
Max. ambient temperature:		+50 °C				
Gas explosion protection IECEx 2:		Ex nR op is IIC T5 Gc				
Gas explosion protection ATEX 2:		⊕ II 3 G Ex nR op is IIC T5 Gc				
Max. ambient temperature 2:		+55 °C				
Mounting	Cable entry	Plug	Product Type	Art. No.	PS	Weight kg
with bracket, Sheet steel	2 x M20 Ø 4 – 13 mm	1 x M20 x 1,5	6525/1111-2101-5021-111	246712	64	16.120
	2 x M25 Ø 7 – 17 mm	1 x M25 x 1,5	6525/1111-2101-5011-111	246256	64	16.150
Enclosure material:		Sheet steel, powder-coated single powder-coated				
Lamp wattage:		120 W				
Light distribution:		wide beam				
Luminous flux:		12860 lm				
Luminaire efficiency:		107 lm/W				
Gas explosion protection IECEx:		Ex nR op is IIC T6 Gc				
Gas explosion protection ATEX:		⊕ II 3 G Ex nR op is IIC T6 Gc				
Max. ambient temperature:		+50 °C				
Gas explosion protection IECEx 2:		Ex nR op is IIC T5 Gc				
Gas explosion protection ATEX 2:		⊕ II 3 G Ex nR op is IIC T5 Gc				
Max. ambient temperature 2:		+55 °C				
Mounting	Cable entry	Plug	Product Type	Art. No.	PS	Weight kg
with bracket, Sheet steel	2 x M20 Ø 4 – 13 mm	1 x M20 x 1,5	6525/1114-2101-5021-111	229776	64	16.431
	2 x M25 Ø 7 – 17 mm	1 x M25 x 1,5	6525/1114-2101-5011-111	229775	64	16.461
with ring eye	2 x M20 Ø 4 – 13 mm	1 x M20 x 1,5	6525/1114-2101-5021-011	246714	64	13.900
	2 x M25 Ø 7 – 17 mm	1 x M25 x 1,5	6525/1114-2101-5011-011	246258	64	13.930
Enclosure material:		Sheet steel, powder-coated single powder-coated				
Lamp wattage:		210 W				
Light distribution:		medium beam				
Luminous flux:		18361 lm				
Luminaire efficiency:		88 lm/W				
Gas explosion protection IECEx:		Ex nR op is IIC T6 Gc				
Gas explosion protection ATEX:		⊕ II 3 G Ex nR op is IIC T6 Gc				
Max. ambient temperature:		+45 °C				
Gas explosion protection IECEx 2:		Ex nR op is IIC T5 Gc				
Gas explosion protection ATEX 2:		⊕ II 3 G Ex nR op is IIC T5 Gc				
Max. ambient temperature 2:		+55 °C				
Mounting	Cable entry	Plug	Product Type	Art. No.	PS	Weight kg
with bracket, Sheet steel	2 x M20 Ø 4 – 13 mm	1 x M20 x 1,5	6525/1112-4201-5021-111	246743	64	21.880
	2 x M25 Ø 7 – 17 mm	1 x M25 x 1,5	6525/1112-4201-5011-111	246738	64	21.910
Enclosure material:		Sheet steel, powder-coated single powder-coated				
Lamp wattage:		210 W				
Light distribution:		narrow beam				
Luminous flux:		19979 lm				
Luminaire efficiency:		96 lm/W				
Gas explosion protection IECEx:		Ex nR op is IIC T6 Gc				
Gas explosion protection ATEX:		⊕ II 3 G Ex nR op is IIC T6 Gc				
Max. ambient temperature:		+45 °C				
Gas explosion protection IECEx 2:		Ex nR op is IIC T5 Gc				
Gas explosion protection ATEX 2:		⊕ II 3 G Ex nR op is IIC T5 Gc				
Max. ambient temperature 2:		+55 °C				
Mounting	Cable entry	Plug	Product Type	Art. No.	PS	Weight kg
with bracket, Sheet steel	2 x M20 Ø 4 – 13 mm	1 x M20 x 1,5	6525/1111-4201-5021-111	246742	64	21.880
	2 x M25 Ø 7 – 17 mm	1 x M25 x 1,5	6525/1111-4201-5011-111	246735	64	21.910

Selection Table						
Enclosure material:		Sheet steel, powder-coated single powder-coated				
Lamp wattage:		210 W				
Light distribution:		wide beam				
Luminous flux:		21026 lm				
Luminaire efficiency:		100 lm/W				
Gas explosion protection IECEx:		Ex nR op is IIC T6 Gc				
Gas explosion protection ATEX:		Ⓔ II 3 G Ex nR op is IIC T6 Gc				
Max. ambient temperature:		+45 °C				
Gas explosion protection IECEx 2:		Ex nR op is IIC T5 Gc				
Gas explosion protection ATEX 2:		Ⓔ II 3 G Ex nR op is IIC T5 Gc				
Max. ambient temperature 2:		+55 °C				
Mounting	Cable entry	Plug	Product Type	Art. No.	PS	Weight kg
with bracket, Sheet steel	2 x M20 Ø 4 – 13 mm	1 x M20 x 1,5	6525/1114-4201-5021-111	229786	64	22.351
	2 x M25 Ø 7 – 17 mm	1 x M25 x 1,5	6525/1114-4201-5011-111	229784	64	22.381
with ring eye	2 x M20 Ø 4 – 13 mm	1 x M20 x 1,5	6525/1114-4201-5021-011	246744	64	19.820
	2 x M25 Ø 7 – 17 mm	1 x M25 x 1,5	6525/1114-4201-5011-011	246737	64	19.850
Enclosure material:		Stainless steel 1.4404 double powder-coated				
Lamp wattage:		120 W				
Light distribution:		medium beam				
Luminous flux:		11155 lm				
Luminaire efficiency:		94 lm/W				
Gas explosion protection IECEx:		Ex nR op is IIC T6 Gc				
Gas explosion protection ATEX:		Ⓔ II 3 G Ex nR op is IIC T6 Gc				
Max. ambient temperature:		+50 °C				
Gas explosion protection IECEx 2:		Ex nR op is IIC T5 Gc				
Gas explosion protection ATEX 2:		Ⓔ II 3 G Ex nR op is IIC T5 Gc				
Max. ambient temperature 2:		+55 °C				
Mounting	Cable entry	Plug	Product Type	Art. No.	PS	Weight kg
with bracket, SS316L	2 x M20 Ø 4 – 13 mm	1 x M20 x 1,5	6525/1112-2101-5021-242	246730	64	16.250
	2 x M25 Ø 7 – 17 mm	1 x M25 x 1,5	6525/1112-2101-5011-242	246721	64	16.280
Enclosure material:		Stainless steel 1.4404 double powder-coated				
Lamp wattage:		120 W				
Light distribution:		narrow beam				
Luminous flux:		12081 lm				
Luminaire efficiency:		101 lm/W				
Gas explosion protection IECEx:		Ex nR op is IIC T6 Gc				
Gas explosion protection ATEX:		Ⓔ II 3 G Ex nR op is IIC T6 Gc				
Max. ambient temperature:		+50 °C				
Gas explosion protection IECEx 2:		Ex nR op is IIC T5 Gc				
Gas explosion protection ATEX 2:		Ⓔ II 3 G Ex nR op is IIC T5 Gc				
Max. ambient temperature 2:		+55 °C				
Mounting	Cable entry	Plug	Product Type	Art. No.	PS	Weight kg
with bracket, SS316L	2 x M20 Ø 4 – 13 mm	1 x M20 x 1,5	6525/1111-2101-5021-242	246729	64	16.250
	2 x M25 Ø 7 – 17 mm	1 x M25 x 1,5	6525/1111-2101-5011-242	246720	64	16.280
Enclosure material:		Stainless steel 1.4404 double powder-coated				
Lamp wattage:		120 W				
Light distribution:		wide beam				
Luminous flux:		12860 lm				
Luminaire efficiency:		107 lm/W				
Gas explosion protection IECEx:		Ex nR op is IIC T6 Gc				
Gas explosion protection ATEX:		Ⓔ II 3 G Ex nR op is IIC T6 Gc				
Max. ambient temperature:		+50 °C				
Gas explosion protection IECEx 2:		Ex nR op is IIC T5 Gc				
Gas explosion protection ATEX 2:		Ⓔ II 3 G Ex nR op is IIC T5 Gc				
Max. ambient temperature 2:		+55 °C				
Mounting	Cable entry	Plug	Product Type	Art. No.	PS	Weight kg
with bracket, SS316L	2 x M20 Ø 4 – 13 mm	1 x M20 x 1,5	6525/1114-2101-5021-242	229778	64	16.601
	2 x M25 Ø 7 – 17 mm	1 x M25 x 1,5	6525/1114-2101-5011-242	229777	64	16.601

E2


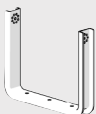
### Selection Table

Enclosure material:		Stainless steel 1.4404 double powder-coated				
Lamp wattage:		120 W				
Light distribution:		wide beam				
Luminous flux:		12860 lm				
Luminaire efficiency:		107 lm/W				
Gas explosion protection IECEx:		Ex nR op is IIC T6 Gc				
Gas explosion protection ATEX:		⊕ II 3 G Ex nR op is IIC T6 Gc				
Max. ambient temperature:		+50 °C				
Gas explosion protection IECEx 2:		Ex nR op is IIC T5 Gc				
Gas explosion protection ATEX 2:		⊕ II 3 G Ex nR op is IIC T5 Gc				
Max. ambient temperature 2:		+55 °C				
Mounting	Cable entry	Plug	Product Type	Art. No.	PS	Weight kg
with ring eye	2 x M20 Ø 4 – 13 mm	1 x M20 x 1,5	6525/1114-2101-5021-042	246731	64	14.030
	2 x M25 Ø 7 – 17 mm	1 x M25 x 1,5	6525/1114-2101-5011-042	246722	64	14.060
Enclosure material:		Stainless steel 1.4404 double powder-coated				
Lamp wattage:		210 W				
Light distribution:		medium beam				
Luminous flux:		18361 lm				
Luminaire efficiency:		88 lm/W				
Gas explosion protection IECEx:		Ex nR op is IIC T6 Gc				
Gas explosion protection ATEX:		⊕ II 3 G Ex nR op is IIC T6 Gc				
Max. ambient temperature:		+45 °C				
Gas explosion protection IECEx 2:		Ex nR op is IIC T5 Gc				
Gas explosion protection ATEX 2:		⊕ II 3 G Ex nR op is IIC T5 Gc				
Max. ambient temperature 2:		+55 °C				
Mounting	Cable entry	Plug	Product Type	Art. No.	PS	Weight kg
with bracket, SS316L	2 x M20 Ø 4 – 13 mm	1 x M20 x 1,5	6525/1112-4201-5021-242	246756	64	21.970
	2 x M25 Ø 7 – 17 mm	1 x M25 x 1,5	6525/1112-4201-5011-242	246750	64	22.007
Enclosure material:		Stainless steel 1.4404 double powder-coated				
Lamp wattage:		210 W				
Light distribution:		narrow beam				
Luminous flux:		19979 lm				
Luminaire efficiency:		96 lm/W				
Gas explosion protection IECEx:		Ex nR op is IIC T6 Gc				
Gas explosion protection ATEX:		⊕ II 3 G Ex nR op is IIC T6 Gc				
Max. ambient temperature:		+45 °C				
Gas explosion protection IECEx 2:		Ex nR op is IIC T5 Gc				
Gas explosion protection ATEX 2:		⊕ II 3 G Ex nR op is IIC T5 Gc				
Max. ambient temperature 2:		+55 °C				
Mounting	Cable entry	Plug	Product Type	Art. No.	PS	Weight kg
with bracket, SS316L	2 x M20 Ø 4 – 13 mm	1 x M20 x 1,5	6525/1111-4201-5021-242	246755	64	21.970
	2 x M25 Ø 7 – 17 mm	1 x M25 x 1,5	6525/1111-4201-5011-242	246749	64	22.007
Enclosure material:		Stainless steel 1.4404 double powder-coated				
Lamp wattage:		210 W				
Light distribution:		wide beam				
Luminous flux:		21026 lm				
Luminaire efficiency:		100 lm/W				
Gas explosion protection IECEx:		Ex nR op is IIC T6 Gc				
Gas explosion protection ATEX:		⊕ II 3 G Ex nR op is IIC T6 Gc				
Max. ambient temperature:		+45 °C				
Gas explosion protection IECEx 2:		Ex nR op is IIC T5 Gc				
Gas explosion protection ATEX 2:		⊕ II 3 G Ex nR op is IIC T5 Gc				
Max. ambient temperature 2:		+55 °C				
Mounting	Cable entry	Plug	Product Type	Art. No.	PS	Weight kg
with bracket, SS316L	2 x M20 Ø 4 – 13 mm	1 x M20 x 1,5	6525/1114-4201-5021-242	229787	64	22.451
	2 x M25 Ø 7 – 17 mm	1 x M25 x 1,5	6525/1114-4201-5011-242	229785	64	22.481
with ring eye	2 x M20 Ø 4 – 13 mm	1 x M20 x 1,5	6525/1114-4201-5021-042	246757	64	19.910
	2 x M25 Ø 7 – 17 mm	1 x M25 x 1,5	6525/1114-4201-5011-042	246751	64	19.940

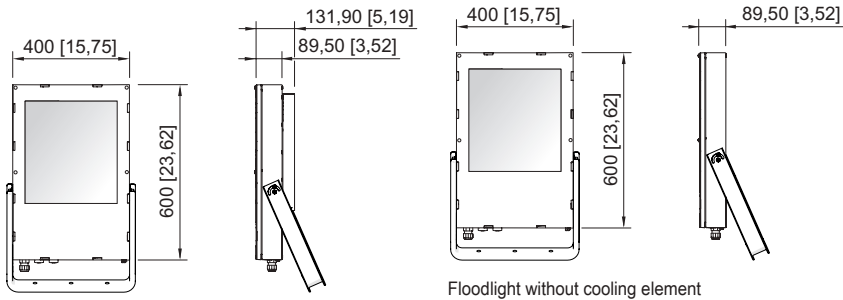
A cable entry and stopping plugs (both made from moulded material) come pre-installed.  
 Fastening variant "with bracket": The bracket is supplied with the product and comes pre-installed  
 "Universal" fastening variant (bracket, ring eye): The ring eyes are supplied with the product. For installation using a bracket, the appropriate bracket can be ordered as an accessory.

Technical Data	
<b>Explosion Protection</b>	
Certificate IECEX Gas	IECEX EPS 15.0032
Certificate ATEX Gas	EPS 15 ATEX 1 991
Certificate IECEX Dust	IECEX EPS 15.0032
Certificate ATEX Dust	EPS 15 ATEX 1 991
Dust explosion protection IECEX	Ex tb IIIC T80 °C Db
Dust explosion protection ATEX	Ⓔ II 2 D Ex tb IIIC T80 °C Db
Certificates	ATEX (BVIS), EAC (Sertium), IECEX (BVIS), India (PESO)
<b>Electrical Data</b>	
Rated operational voltage AC	220 – 240 V
Frequency range	50 – 60 Hz
<b>Ambient Conditions</b>	
Min. ambient temperature	-50 °C
Min. ambient temperature note	switch on above -30 °C
Storage temperature	-30 °C ... +75 °C
<b>Lighting Data</b>	
Lamp type	LED
Colour temperature	5700 K
Colour Rendering	≥ 70
<b>Mechanical Data</b>	
Type of protection (IP)	IP66
Protection class	I
Gasket material	Silicone
Lens material	toughened glass
Connection terminals solid max.	4 mm <sup>2</sup>
Impact strength (IK code)	IK10 (IEC 62262)

E2

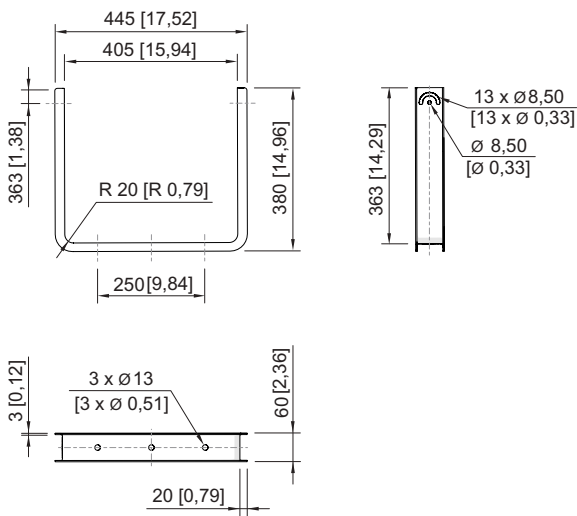
Accessories and Spare Parts				
Figure	Description	Art. No.	PS	Weight kg
<b>Ring bolt</b>				
	M6 (4 pieces), direct mounting in insert nuts	254234	36	0.202
<b>Mounting bracket</b>				
	Sheet steel, single powder coated	244604	36	2.591
	Stainless steel SS316L (1.4404 or V4A) without powder coating	221589	36	2.633

**Dimensional Drawings (All Dimensions in mm [inches]) – Subject to Alterations**

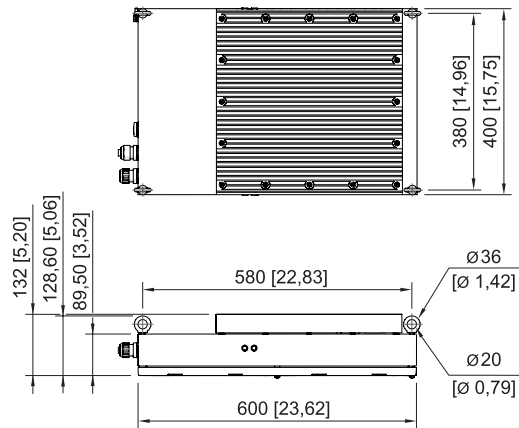


Floodlight with cooling element

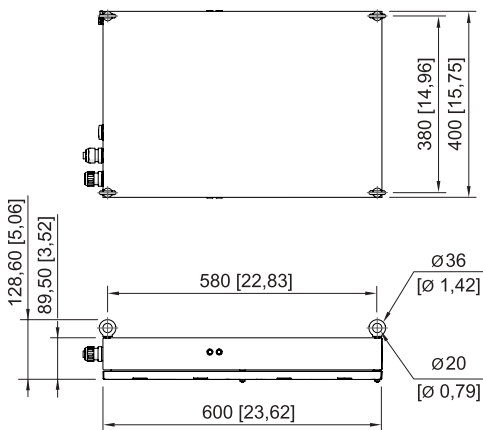
Floodlight without cooling element



Mounting bracket



Floodlight with cooling element, with ring eyes



Floodlight without cooling element, with ring eyes

E2



- Enclosure available made of stainless steel V4A, V2A or sheet steel, coated
- Broad or narrow beam reflectors or asymmetrical light distribution, standard: broad beam

WebCode **6521B**



Series 6521/4 explosion protected floodlight for use in explosive gas atmospheres of Zone 2 as well as in areas with combustible dust of Zone 21 and Zone 22.

	ATEX / IECEx					
Zone	0	1	2	20	21	22
Installation in			•		•	•

**E2**

Selection Table						
Design size:		Size 1				
Enclosure material:		Sheet steel, powder-coated				
Mounting:		single powder-coated with bracket, Sheet steel				
Light distribution:		symmetric, broad beam				
Lamp wattage	Lamps	Gas explosion protection IECEx	Product Type	Art. No.	PS	Weight kg
150 W	HIT	Ex nRc IIC T3 Gc	6521/4111-215-123-1-230-50	210802 ▲	62	11.963
	QT	Ex nRc IIC T3 Gc	6521/4111-115-023-1-230-50	210719	62	8.293
250 W	QT	Ex nRc IIC T2 Gc	6521/4111-125-023-1-230-50	210720 ▲	62	9.493
Design size:		Size 1				
Enclosure material:		Stainless steel 1.4404				
Mounting:		with bracket, SS316L				
Light distribution:		symmetric, broad beam				
Lamp wattage	Lamps	Gas explosion protection IECEx	Product Type	Art. No.	PS	Weight kg
150 W	HIT	Ex nRc IIC T3 Gc	6521/4111-215-123-4-230-50	210850 ▲	62	11.800
	QT	Ex nRc IIC T3 Gc	6521/4111-115-023-4-230-50	210847	62	8.130
250 W	QT	Ex nRc IIC T2 Gc	6521/4111-125-023-4-230-50	210848 ▲	62	8.130

### Selection Table

Design size:		Size 2				
Enclosure material:		Sheet steel, powder-coated				
Mounting:		single powder-coated				
Light distribution:		with bracket, Sheet steel				
		symmetric, broad beam				
Lamp wattage	Lamps	Gas explosion protection IECEx	Product Type	Art. No.	PS	Weight kg
150 W	HST	Ex nRc IIC T4 Gc	6521/4212-315-123-1-230-50	210806 ▲	62	17.780
250 W	HIT HST	Ex nRc IIC T3 Gc	6521/4212-625-123-1-230-50	210807 ▲	62	19.280
500 W	QT	Ex nRc IIC T3 Gc	6521/4212-150-023-1-230-50	210801 ▲	62	15.570
Design size:		Size 2				
Enclosure material:		Stainless steel 1.4404				
Mounting:		with bracket, SS316L				
Light distribution:		symmetric, broad beam				
Lamp wattage	Lamps	Gas explosion protection IECEx	Product Type	Art. No.	PS	Weight kg
150 W	HST	Ex nRc IIC T4 Gc	6521/4212-315-123-4-230-50	210854	62	20.000
250 W	HIT HST	Ex nRc IIC T3 Gc	6521/4212-625-123-4-230-50	210855 ▲	62	21.500
500 W	QT	Ex nRc IIC T3 Gc	6521/4212-150-023-4-230-50	210849 ▲	62	15.300
Design size:		Size 3				
Enclosure material:		Sheet steel, powder-coated				
Mounting:		single powder-coated				
Light distribution:		with bracket, Sheet steel				
		symmetric, broad beam				
Lamp wattage	Lamps	Gas explosion protection IECEx	Product Type	Art. No.	PS	Weight kg
250 W	HIT HST	Ex nRc IIC T3 Gc	6521/4312-625-123-1-230-50	210810 ▲	62	24.990
400 W	HIT HST	Ex nRc IIC T3 Gc	6521/4312-640-123-1-230-50	210811 ▲	62	25.590
500 W	QT	Ex nRc IIC T3 Gc	6521/4312-150-023-1-230-50	210808 ▲	62	22.590
600 W	HST	Ex nRc IIC T3 Gc	6521/4312-360-123-1-230-50	210812	62	29.190
Design size:		Size 3				
Enclosure material:		Stainless steel 1.4404				
Mounting:		with bracket, SS316L				
Light distribution:		symmetric, broad beam				
Lamp wattage	Lamps	Gas explosion protection IECEx	Product Type	Art. No.	PS	Weight kg
250 W	HIT HST	Ex nRc IIC T3 Gc	6521/4312-625-123-4-230-50	210858 ▲	62	24.600
400 W	HIT HST	Ex nRc IIC T3 Gc	6521/4312-640-123-4-230-50	210859 ▲	62	25.200
500 W	QT	Ex nRc IIC T3 Gc	6521/4312-150-023-4-230-50	210856	62	22.100
600 W	HST	Ex nRc IIC T3 Gc	6521/4312-360-123-4-230-50	210860	62	28.800

The floodlights are delivered without lamps, mounting bracket is delivered standard. Additional mounting accessories must be ordered separately.

Lamps:  
 QT = Halogen lamps  
 HIT = Metal halide lamps  
 HST = High-pressure sodium lamps

### Technical Data

Explosion Protection	
Certificate IECEx Gas	IECEx TUR 10.0014
Certificate ATEX Gas	TÜV 11 ATEX 7008
Certificate IECEx Dust	IECEx TUR 10.0014

Technical Data	
Explosion Protection	
Certificate ATEX Dust	TÜV 10 ATEX 7875
Certificates	ATEX (TUR), Brazil (ULB), China (CQST), EAC (Sertium), IECEx (TUR), India (PESO)
Electrical Data	
Rated operational voltage AC	230 – 230 V
Frequency range	50 – 50 Hz
Lighting Data	
Lampholder	E27
Mechanical Data	
Type of protection (IP)	IP66
Lens material	Safety glass
Connection terminals finely-stranded max.	4 mm <sup>2</sup>
Components	
Cable entry	2 x M20 Ø 6 – 13 mm
Plug	1 x M20 x 1,5
Accessories and spare parts can be found on page 615	
Dimensional drawings can be found on page 613	

E2



- Enclosure available made of stainless steel V4A, V2A or sheet steel, coated
- Broad or narrow beam reflectors or asymmetrical light distribution, standard: broad beam

WebCode **6521C**



Series 6521/5 explosion protected floodlight for use in explosive gas atmospheres of Zone 2 as well as in areas with combustible dust of Zone 21 and Zone 22.

E2

	ATEX / IECEx					
Zone	0	1	2	20	21	22
Installation in			•		•	•

Selection Table							
Lamp wattage:		250 W					
Dust explosion protection IECEx:		Ex tb IIIC T110 °C					
Lamps	Light distribution	Enclosure material	Mounting	Product Type	Art. No.	PS	Weight kg
HIT	symmetric, broad beam	Sheet steel, powder-coated single powder-coated	with bracket, Sheet steel	6521/5312-625-123-1-230-50	220047 ▲	62	24.990
HST				6521/5312-625-123-4-230-50	220049 ▲	62	24.600
Lamp wattage:		400 W					
Dust explosion protection IECEx:		Ex tb IIIC T134 °C					
Lamps	Light distribution	Enclosure material	Mounting	Product Type	Art. No.	PS	Weight kg
HIT	symmetric, broad beam	Stainless steel 1.4404	with bracket, SS316L	6521/5312-640-123-4-230-50	220052 ▲	62	25.200
HST				6521/5312-640-123-1-230-50	220050 ▲	62	25.590
HIT	symmetric, broad beam	Sheet steel, powder-coated single powder-coated	with bracket, Sheet steel	6521/5312-640-123-1-230-50	220050 ▲	62	25.590
HIT				6521/5312-640-123-4-230-50	220050 ▲	62	25.590

The floodlights are delivered without lamps, mounting bracket is delivered standard. Additional mounting accessories must be ordered separately.

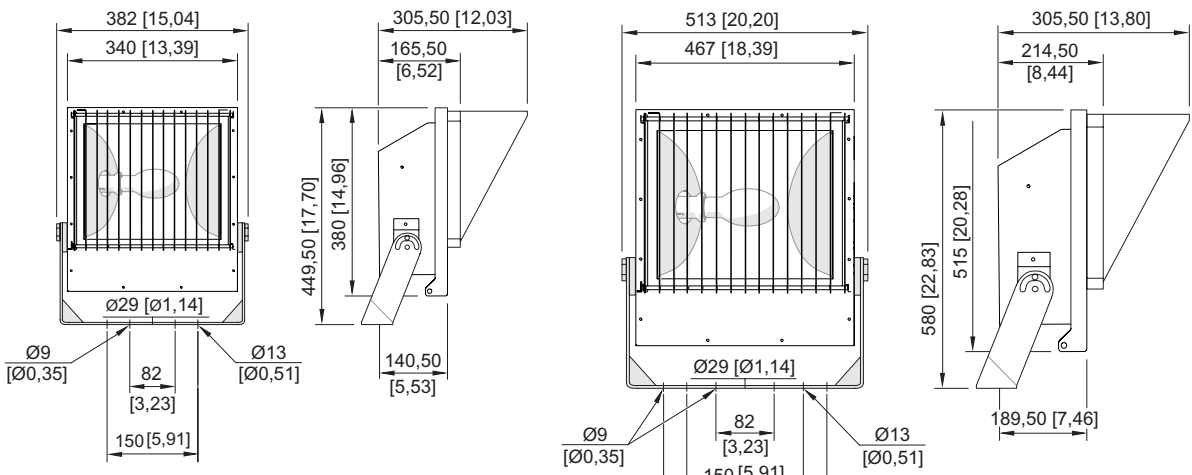
Lamps: HIT = Metal halide lamps  
HST = High-pressure sodium lamps  
**Only lamps of type OSRAM VIALOX-T SUPER can be used.**

Technical Data	
Explosion Protection	
Certificate IECEX Gas	IECEX TUR 12.0001
Certificate ATEX Gas	TÜV 12 ATEX 7173
Certificate IECEX Dust	IECEX TUR 12.0001
Certificate ATEX Dust	TÜV 12 ATEX 7174
Certificates	ATEX (TUR), IECEX (TUR)
Electrical Data	
Rated operational voltage AC	230 – 230 V
Frequency range	50 – 50 Hz
Lighting Data	
Lampholder	E40
Mechanical Data	
Type of protection (IP)	IP66
Lens material	Safety glass
Connection terminals finely-stranded max.	2.5 mm <sup>2</sup>
Components	
Cable entry	2 x M20 Ø 6 – 13 mm
Plug	1 x M20 x 1,5
Notes	Screw connections and stopping plugs are supplied with the product.

Accessories and spare parts can be found on page 615

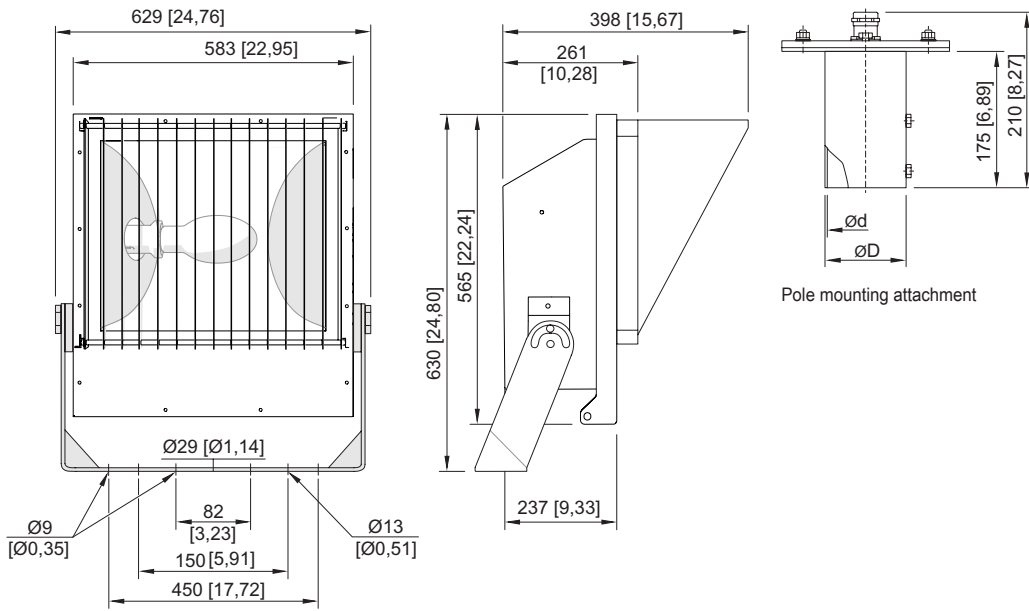
Dimensional Drawings (All Dimensions in mm [inches]) – Subject to Alterations

E2



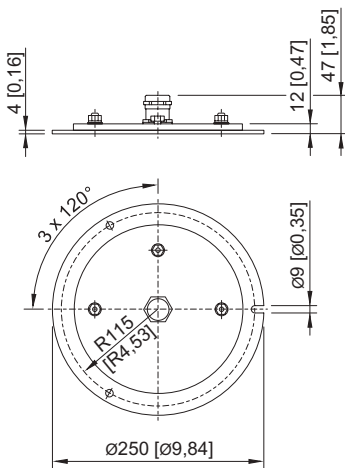
Size 1, 6521/1 Shown with baffle screen and light visor, both parts are accessories and are not included in the standard scope of delivery.

Size 2, 6521/2 Shown with baffle screen and light visor, both parts are accessories and are not included in the standard scope of delivery.



Size 3, 6521/3 Shown with baffle screen and light visor, both parts are accessories and are not included in the standard scope of delivery.



E2



Mounting base (rotatable)

Accessories and Spare Parts				
Figure	Description	Art. No.	PS	Weight kg
<b>Halogen lamps QT</b>				
	Halogen lamp 150W E27 230V 2870 lm	207458 ▲	36	0.080
	Halogen lamp 205W tube form 4200 lm	203469 ▲	36	0.100
	Halogen lamp 500W 10250 lm	108874 ▲	37	0.120
	Halogen lamp 1000W 24000 lm	108872 ▲	37	0.129
<b>Halogen metal halide lamps HIT</b>				
	70 W; E27; 230 V, 7000 lm	109128 ▲	37	0.045
	150 W; E40; 230 V, 14500 lm	109130 ▲	37	0.135
	250 W; E40; 230 V, 20000 lm	109132 ▲	37	0.200
	400 W; E40; 230 V, 42000 lm	109134 ▲	37	0.135
<b>Halogen metal halide lamps HIE</b>				
	100 W; E27; 230 V, 7700 lm	109308 ▲	37	0.101
	150 W; E27; 230 V, 11500 lm	109309 ▲	36	0.110
<b>High pressure sodium lamp HST</b>				
	70 W; E27; 230 V; 6600 lm	109127 ▲	37	0.065
	150 W; E40; 230 V; 17500 lm	109129 ▲	37	0.143
	250 W; E40; 230 V; 33200 lm	109131 ▲	37	0.149
	400 W; E40; 230 V; 56500 lm	109133 ▲	37	0.210
<b>High pressure sodium lamp HSE</b>				
	600 W; E40; 230 V; 90000 lm	109310 ▲	37	0.182
<b>Anti-glare shield</b>				
	Stainless steel; attaches to front cover for 6521/.1	123494 ▲	62	0.775
	Stainless steel; attaches to front cover for 6521/.2	123498 ▲	62	2.060
	Stainless steel; attaches to front cover for 6521/.3	123501 ▲	62	2.460
<b>Lamellar screen</b>				
	Stainless steel; attaches to front cover for 6521/.1	123506	62	1.170
	Stainless steel; attaches to front cover for 6521/.2	123507 ▲	62	2.280
	Stainless steel; attaches to front cover for 6521/.3	123508	62	3.390
<b>Fastening base / rotary table</b>				
	Stainless steel for all design sizes	123495	62	3.810
	For installation on end of pole (stainless steel) Ø 60 mm	123493	62	4.430
	For installation on end of pole (stainless steel) Ø 76 mm	123497	62	5.260
	For installation on end of pole (stainless steel) Ø 89 mm	123500 ▲	62	4.640

E2

Accessories and Spare Parts				
Figure	Description	Art. No.	PS	Weight kg
<b>Cover with glass</b>				
	for 6521/41 sheet steel powder coated RAL 7032	209329	62	2.694
	for 6521/41 stainless steel 1.4404 (V4A)	209328	62	2.650
	for 6521/41 stainless steel 1.4301 (V2A)	207484	62	2.650
	for 6521/42 sheet steel powder coated RAL 7032	209336	62	5.059
	for 6521/42 stainless steel 1.4404 (V4A)	209335	62	5.000
	for 6521/42 stainless steel 1.4301 (V2A)	207485	62	5.000
	for 6521/43 sheet steel powder coated RAL 7032	209189	62	6.583
	for 6521/43 stainless steel 1.4404 (V4A)	209188	62	6.500
	for 6521/43 stainless steel 1.4301 (V2A)	207486	62	6.500
<b>Stopping plug</b>				
	Brass, nickel-plated with O-ring, M20	106132 ▲	30	0.013
	Brass, nickel-plated with O-ring, M25	106133 ▲	30	0.025



- Long-life, energy-saving, high-performance LEDs embody design innovation
- For 110 to 240 V AC/DC, 24 to 48 V AC/DC or 12 V DC
- Standard version with diffuser for reduced glare and H07-RNF connection line, 2 x 1.5 mm<sup>2</sup>
- Further connection lines and connectors available as options

WebCode 6149B



The 6149 inspection light is a versatile light that allows you to see into every corner. This is all down to its state-of-the-art LED technology, coupled with its long-life electronics, which have been developed in-house by R. STAHL and exhibit high energy efficiency and superior illuminance. The innovative design of the enclosure makes the light extremely slim and lightweight. Its lockable suspension hooks and practical anti-roll protection make it ideal for use in the workshop.

	ATEX / IECEx					
Zone	0	1	2	20	21	22
Installation in		•	•		•	•

E2

Selection Table									
Type of connection line:		H07RN-F 2x1,5 qmm							
Gas explosion protection IECEx:		Ex d IIC T4 Gb							
Gas explosion protection ATEX:		Ⓔ II 2 G Ex d IIC T4 Gb							
Dust explosion protection IECEx:		Ex tb IIIC T100 °C Db							
Dust explosion protection ATEX:		Ⓔ II 2 D Ex tb IIIC T100 °C Db							
Rated operational voltage DC	Rated operational voltage AC	Cable length	Wire guard	Luminous flux	Ambient temperature	Product Type	Art. No.	PS	Weight kg
12 – 12 V	–	5 m	No	850 lm	-40 °C ... +40 °C	6149/2-2211-5010	211492 ▲	64	1.655
		5 m	Yes	850 lm	-40 °C ... +40 °C	6149/2-2211-5011	252282	64	1.825
24 – 48 V	24 – 48 V	5 m	No	850 lm	-40 °C ... +60 °C	6149/2-3211-5010	209262 ▲	64	1.450
		5 m	Yes	850 lm	-40 °C ... +60 °C	6149/2-3211-5011	252192	64	1.620
		10 m	No	850 lm	-40 °C ... +60 °C	6149/2-3211-7010	249684	64	3.440
		10 m	Yes	850 lm	-40 °C ... +60 °C	6149/2-3211-7011	252284	64	2.450
		20 m	No	850 lm	-40 °C ... +60 °C	6149/2-3211-8010	252796	64	3.220
		20 m	Yes	850 lm	-40 °C ... +60 °C	6149/2-3211-8011	252198	64	3.700

## Selection Table



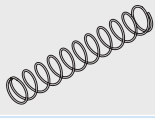
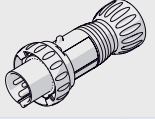
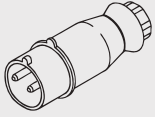
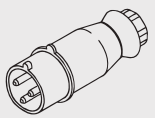
Type of connection line: Gas explosion protection IECEx: Gas explosion protection ATEX: Dust explosion protection IECEx: Dust explosion protection ATEX:										
Rated operational voltage DC		Rated operational voltage AC	Cable length	Wire guard	Luminous flux	Ambient temperature	Product Type	Art. No.	PS	Weight kg
110 – 240 V		110 – 240 V	5 m	No	1000 lm	-30 °C ... +60 °C	6149/2-5211-5010	209263 ▲	64	1.450
			5 m	Yes	1000 lm	-30 °C ... +60 °C	6149/2-5211-5011	252207	64	1.825
			10 m	No	1000 lm	-30 °C ... +60 °C	6149/2-5211-7010	249685	64	2.280
			10 m	Yes	1000 lm	-30 °C ... +60 °C	6149/2-5211-7011	252209	64	2.450
			20 m	No	1000 lm	-30 °C ... +60 °C	6149/2-5211-8010	249686	64	3.530
			20 m	Yes	1000 lm	-30 °C ... +60 °C	6149/2-5211-8011	252205	64	3.700
Type of connection line: Gas explosion protection IECEx: Gas explosion protection ATEX: Dust explosion protection IECEx: Dust explosion protection ATEX:										
Rated operational voltage DC		Rated operational voltage AC	Cable length	Wire guard	Luminous flux	Ambient temperature	Product Type	Art. No.	PS	Weight kg
24 – 48 V		24 – 48 V	5 m	No	850 lm	-40 °C ... +40 °C	6149/2-3411-5010	211493	64	1.655
			10 m	No	850 lm	-40 °C ... +40 °C	6149/2-3411-7010	252130	64	2.280
			10 m	Yes	850 lm	-40 °C ... +40 °C	6149/2-3411-7011	252197	64	2.450
110 – 240 V		110 – 240 V	5 m	No	1000 lm	-30 °C ... +40 °C	6149/2-5411-5010	211494 ▲	64	1.450
			5 m	Yes	1000 lm	-30 °C ... +40 °C	6149/2-5411-5011	252206	64	1.825
			10 m	No	1000 lm	-30 °C ... +40 °C	6149/2-5411-7010	252212	64	2.280
			10 m	Yes	1000 lm	-30 °C ... +40 °C	6149/2-5411-7011	252210 ▲	64	2.450
			20 m	No	1000 lm	-30 °C ... +40 °C	6149/2-5411-8010	252204	64	3.150
			20 m	Yes	1000 lm	-30 °C ... +40 °C	6149/2-5411-8011	253653	64	3.700

The inspection light is delivered without plug and wire guard. Specify the plug on order. See accessories and spare parts.

Variants without wire guard can be equipped with a wire guard at a later stage. See accessories and spare parts.

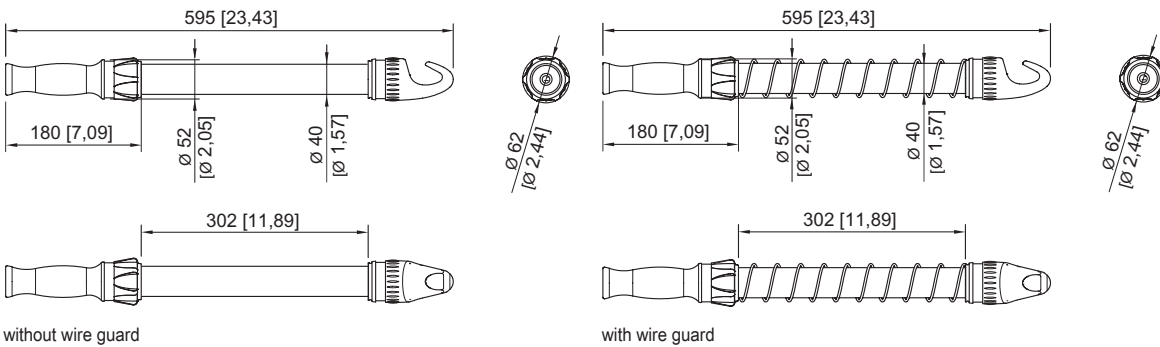
## Technical Data

Explosion Protection	
Certificate IECEx Gas	IECEX PTB 07.0018
Certificate ATEX Gas	PTB 07 ATEX 1009
Certificate IECEx Dust	IECEX PTB 07.0018
Certificate ATEX Dust	PTB 07 ATEX 1009
Certificates	ATEX (PTB), Brazil (ULB), EAC (STV), IECEx (PTB)
Lighting Data	
Lamps	LED double-row
Mechanical Data	
Type of protection (IP)	IP66 / IP67
Protection class	II (insulated)
Enclosure material	Aluminium
Tube material	Polycarbonate

Accessories and Spare Parts				
Figure	Description	Art. No.	PS	Weight kg
<b>Mounting bracket</b>				
	Mounting bracket made from galvanised sheet steel (x 2 units); for design size 1	120535 ▲	36	0.050
<b>Mounting bracket and magnet</b>				
	Mounting bracket made from galvanised sheet steel with magnetic base (x 2 units); for design size 1	120536 ▲	36	0.100
<b>Wire guard</b>				
	Stainless steel wire guard for additional mechanical protection	120509 ▲	37	0.170
<b>Plug</b>				
	8570/12-304 3 pins, 100 ... 130 V AC, 50 / 60 Hz, 16 A	150599 ▲	10	0.420
	8570/12-306 3 pins, 200 ... 250 V AC, 50 / 60 Hz, 16 A	150579 ▲	10	0.420
	8570/12-100 2 pins, 20 ... 25 V AC, 16 A	151545 ▲	10	0.220
	8570/12-110 2 pins, 20 ... 25 V, 16 A	151553 ▲	10	0.220
	8570/12-200 3 pins, 20 ... 25 V AC, 16 A	151486 ▲	10	0.230
	8570/12-212 3 pins, 40 ... 50 V AC, 16 A	151496 ▲	10	0.220

E2

### Dimensional Drawings (All Dimensions in mm [inches]) – Subject to Alterations





- Energy-saving, bright LED technology
- Approved in accordance with the relevant firefighting standard
- Lamp head pivots 190°
- Incredibly lightweight
- Main light continuously dimmable
- Long battery life
- Ergonomic one-hand operation

WebCode 6148A



The ergonomic design of the 6148 series portable LED lamp allows you to operate this lamp with just one hand. Its brightness can be freely adjusted; alternatively, it can be set to flashing mode. The pivoting lamp head allows you to direct the light cone virtually anywhere. Coloured diffusing lenses are available as accessories, and transform your lamp into a portable Ex beacon. It is approved for use in vehicles, and when connected to the charging unit, has an emergency lighting function.

E2

	ATEX / IECEx					
Zone	0	1	2	20	21	22
Installation in		•	•		•	•

### Selection Table

Ex version: Yes  
 Battery-Version: Lead-fleece battery, maintenance-free, 6 V, 4,5 Ah  
 Certificate for motor vehicles: E1 10 R - 036569

Figure	Product Description	Lamps	Product Type	Art. No.	PS	Weight kg
	Portable lamp LED	LED	6148/1111-100	209687 ▲	64	1.550
	Portable lamp LED Complete set	LED	6148/1111-111	209686 ▲	64	1.830

The complete set is delivered including charging unit and a charging cable for 230 V. A charging cable for 12/24 V can be ordered as accessories. The charging unit should only be used in safe areas.

The charging unit is equipped with three fastening holes for table mounting (see dimensional drawings). A wall bracket for wall mounting is available as accessories. A shoulder strap, belt hook and coloured diffusing lenses for the portable lamp are available as accessories. A clear diffusing lense is included in the delivery of the portable lamp and the complete set.

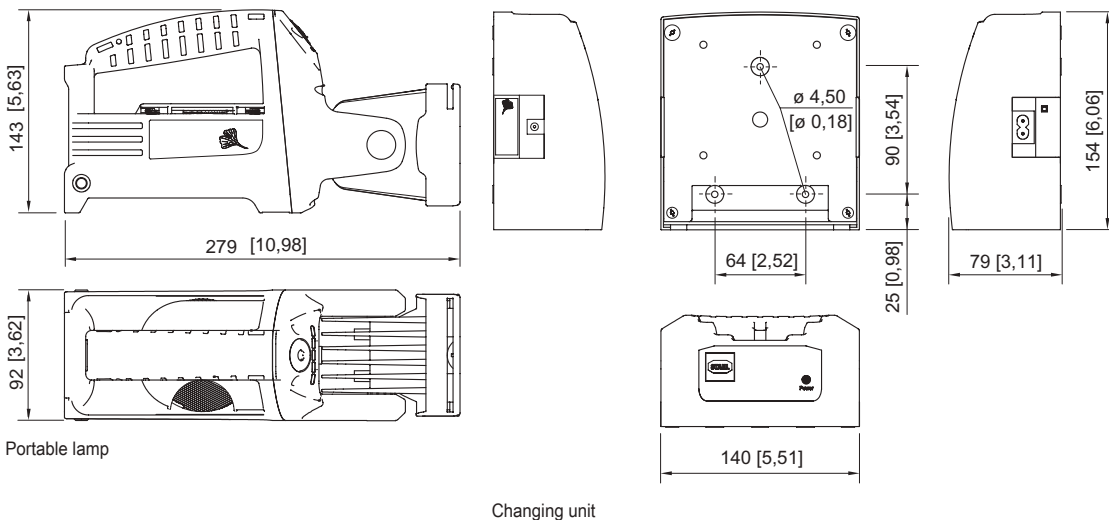
## Technical Data

Explosion Protection	
Certificate IECEX Gas	IECEX IBE 11.0009
Certificate ATEX Gas	IBExU 11ATEX 1066
Certificate IECEX Dust	IECEX IBE 11.0009
Certificate ATEX Dust	IBExU 11ATEX 1066
Gas explosion protection IECEX	Ex ib IIC T4 Gb
Gas explosion protection ATEX	Ⓜ II 2 G Ex ib IIC T4 Gb
Dust explosion protection IECEX	Ex tb IIIC T75 °C Db
Dust explosion protection ATEX	Ⓜ II 2 D Ex tb IIIC T75 °C Db
Certificates	ATEX (IBE), Brazil (ULB), EAC (STV), IECEX (IBE)
Ambient Conditions	
Ambient temperature	-20 °C ... +50 °C
Storage temperature	-25 °C ... +60 °C
Lighting Data	
CCT	6500 K
Light intensity	24000 cd
Light distribution	according to DIN 14642
Mechanical Data	
Type of protection (IP)	IP66
Protection class	II (insulated)
Enclosure material	Polyamide, impact-strength
Head tilting	forwards: 100°, backwards: 90°
Enclosure colour	black
Components	
Battery-Version	Lead-fleece battery, maintenance-free, 6 V, 4,5 Ah

Accessories and spare parts found on page 623

E2

## Dimensional Drawings (All Dimensions in mm [inches]) – Subject to Alterations





- For use in the safe area
- Latest LED technology
- Very high light intensity
- Low weight
- Lamp head pivoting by 190°
- Main light continuously dimmable
- Long battery life
- Ergonomic one-hand operation

## WebCode L148A



The L148 series LED portable lamp for use in non-hazardous areas is ergonomically designed to enable you to operate it with one hand. Its brightness can also be freely adjusted.

Switching it to flashing mode allows you to use it as a signal beacon if required. Coloured diffusing lenses are available as accessories for this.

The pivoting lamp head allows you to direct the light cone virtually anywhere.

The portable lamp is approved for use in vehicles, and when connected to the charging unit, has an emergency lighting function.

### Selection Table

Ex version:		No				
Battery-Version:		Lead-fleece battery, maintenance-free, 6 V, 4,5 Ah				
Certificate for motor vehicles:		E1 10 R - 036569				
Figure	Product Description	Lamps	Product Type	Art. No.	PS	Weight kg
	Portable lamp LED	LED	L148/1111-100	225000	33	1.550
	Portable lamp LED Complete set	LED	L148/1111-111	225779	33	1.800

The complete set is delivered including charging unit and a charging cable for 230 V. A charging cable for 12/24 V can be ordered as accessories. The charging unit is equipped with three fastening holes for table mounting (see dimensional drawings). A wall bracket for wall mounting is available as accessories. A shoulder strap, belt hook and coloured diffusing lenses for the portable lamp are available as accessories. A clear diffusing lens is included in the delivery of the portable lamp and the complete set.

### Technical Data

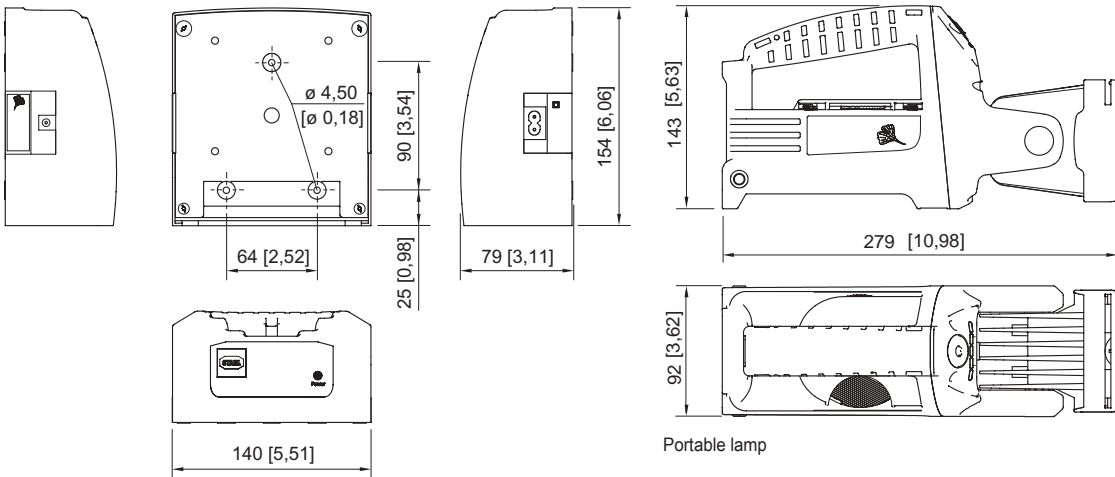
Ambient Conditions	
Ambient temperature	-20 °C ... +50 °C
Storage temperature	-25 °C ... +50 °C
Lighting Data	
CCT	6500 K
Light intensity	24000 cd
Light distribution	according to DIN 14642

## Technical Data

Mechanical Data	
Type of protection (IP)	IP66
Protection class	II (insulated)
Enclosure material	Polyamide, impact-strength
Head tilting	forwards: 100°, backwards: 90°
Enclosure colour	black
Components	
Battery-Version	Lead-fleece battery, maintenance-free, 6 V, 4,5 Ah

Accessories and spare parts found on page 623

## Dimensional Drawings (All Dimensions in mm [inches]) – Subject to Alterations



E2

## Accessories and Spare Parts

Figure	Description	Art. No.	PS	Weight kg
<b>Diffusing lens</b>				
	clear	212333 ▲	36	0.014
	orange	212334 ▲	36	0.012
	red	212956 ▲	36	0.012
	green	220306	36	0.013

### Accessories and Spare Parts

Figure	Description	Art. No.	PS	Weight kg
<b>Connection cable</b>				
	230 V charging cable with plug	120014 ▲	37	0.075
	12/24 V charging cable with plug	212316 ▲	36	0.022
<b>Wall bracket</b>				
	For wall mounting the charging unit	212332 ▲	36	0.260
<b>Belt hook</b>				
	For fastening the portable lamp to the belt	212331 ▲	36	0.040
<b>Shoulder strap</b>				
	For carrying the portable lamp	212702 ▲	36	0.050
<b>Battery</b>				
	for 6148 lead-fleece battery, 6 V, 4.5 Ah	211124 ▲	37	0.720
	for L148 lead-fleece battery, 6 V, 4.5 Ah	225707	37	0.720
<b>Charging unit</b>				
	for 6148 (12 – 30 V DC and 100 – 240 V AC)	209688 ▲	36	0.380
	for L148 (12 – 30 V DC and 110 – 240 V AC)	225781	33	0.380
<b>Adaptor for external charging unit.</b>				
	For charging the portable lamp in the KFZ90 or LG443 charging unit	212701 ▲	36	0.344

E2



- Unique mechanism for switching on
- Ergonomically formed handlamp
- Extremely high luminous intensity

WebCode 6140A



The 6140 series battery-powered hand lamp is suitable for use in Zone 0. It uses energy-saving LEDs and features an innovative rotary ring switch that enables you to switch the torch on and off with one hand. This hand lamp is ATEX-certified for hazardous areas in which an explosive atmosphere containing gas and dust is present.

	ATEX / IECEx					
Zone	0	1	2	20	21	22
Installation in	•	•	•	•	•	•

E2

Selection Table						
Product Description:	Hand lamp					
Rated operational voltage DC	Battery-Version	Lamp wattage	Art. No.	PS	Weight kg	
4.5 – 4.5 V	3 x LR 14	3 W	119782 ▲	64	0.550	

Hand lamps are supplied with batteries.

Technical Data	
Explosion Protection	
Certificate ATEX Gas	ZELM 07 ATEX 0325 X
Certificate ATEX Dust	ZELM 07 ATEX 0325 X
Gas explosion protection ATEX	⊕ II 1 G Ex ia op is IIC T4
Dust explosion protection ATEX	⊕ II 1 D Ex iaD T130 °C
Certificates	ATEX (ZLM)
Ambient Conditions	
Ambient temperature	-20 °C ... +50 °C
Lighting Data	
Lamps	1 high power LED
Lighting hours	> 48 h
Notes	Emergency light duration for constant operation

### Technical Data

#### Mechanical Data

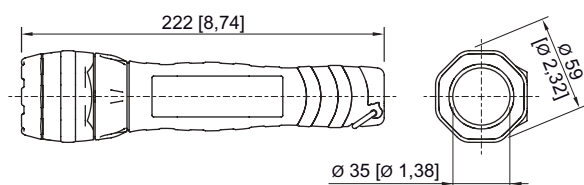
Type of protection (IP)	IP65
Enclosure material	Polyamide, antistatic
Lens material	Polycarbonate

Do not open lamp in hazardous locations!  
For other battery types see operating instructions.

### Accessories and Spare Parts

Figure	Description	Art. No.	PS	Weight kg
<b>Battery</b>				
	1.5 V; 3 pieces	167742	37	0.420
<b>Leather holster</b>				
	Holster for carrying the lamp	167740	36	0.160
<b>Replacement lens</b>				
	Lens material is polycarbonat	167739	37	0.003
<b>Skid washer</b>				
	NBR gasket	167741	37	0.003

### Dimensional Drawings (All Dimensions in mm [inches]) – Subject to Alterations



E2



- Powered by alkaline batteries so user not restricted by power point location
- Energy-saving LED technology
- Waterproof with IP68 (3 m, 30 min)
- Accessories for transportation

WebCode **6141B**



The battery-powered 6141/61 series hand lamp is small enough to fit in your pocket, so that it is within easy reach whenever you need it. It uses energy-saving LEDs and features a pushbutton that enables you to switch the torch on and off with one hand.

This hand lamp boasts IP68 level of protection, as well as ATEX and IECEx certification for use in hazardous areas in which an explosive atmosphere containing gas is present.

	ATEX / IECEx					
Zone	0	1	2	20	21	22
Installation in		•	•			

E2

Selection Table						
Product Description:	Hand lamp					
Rated operational voltage DC	Battery-Version			Art. No.	PS	Weight kg
3 – 3 V	2 x AAA			203478 ▲	64	0.085

Technical Data	
Explosion Protection	
Certificate IECEX Gas	IECEX ITS 11.0039X
Certificate ATEX Gas	ITS 11 ATEX 27369X
Gas explosion protection IECEX	Ex ib IIB T4 Gb
Gas explosion protection ATEX	⊕ II 2 G Ex ib IIB T4 Gb
Certificates	ATEX (ITS), IECEx (ITS)
Electrical Data	
Range in a free field	25 m
Ambient Conditions	
Ambient temperature	-20 °C ... +40 °C

## Technical Data

### Lighting Data




Lamps	LED
Luminous flux	20 lm
Lighting hours	~ 10 h

### Mechanical Data

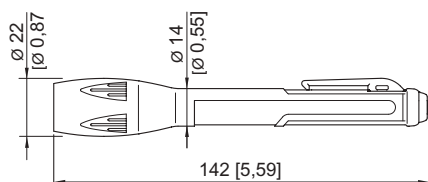
Type of protection (IP)	IP68 (3 m, 30 min.)
Enclosure material	Polycarbonate

Do not open lamp in hazardous locations!  
For other battery types see operating instructions.

## Accessories and Spare Parts

Figure	Description	Art. No.	PS	Weight kg
<b>Battery</b>				
	4 x Daimon (by Duracell) LR03	204144	36	0.300
<b>Belt bag</b>				
	black	204142 ▲	36	0.030
<b>Fibre optic top piece</b>				
	Length approx. 250 mm; black	203970	36	0.030

## Dimensional Drawings (All Dimensions in mm [inches]) – Subject to Alterations





- Powered by alkaline batteries so user not restricted by power point location
- Energy-saving LED technology
- Waterproof with IP68 (3 m, 30 min)
- Accessories for signalling and transportation

WebCode 6141C



The battery-powered 6141/62 series hand lamp is excellent for maintenance work and inspections. It uses energy-saving LEDs and features a pushbutton that enables you to switch the torch on and off with one hand. This hand lamp boasts IP68 level of protection, as well as ATEX and IECEx certification.

	ATEX / IECEx					
Zone	0	1	2	20	21	22
Installation in		•	•		•	•

E2

Selection Table						
Product Description:	Hand lamp					
Rated operational voltage DC	Battery-Version			Art. No.	PS	Weight kg
6 – 6 V	4 x AA			243788	64	0.190

Technical Data	
Explosion Protection	
Certificate IECEX Gas	IECEX ITS 11.0038X
Certificate ATEX Gas	ITS 11 ATEX 27368X
Certificate IECEX Dust	IECEX ITS 11.0038X
Certificate ATEX Dust	ITS 11 ATEX 27368X
Gas explosion protection IECEX	Ex ib IIB T4 Gb
Gas explosion protection ATEX	⊕ II 2 G Ex ib IIB T4 Gb
Dust explosion protection IECEX	Ex ib IIIC T81 °C Db
Dust explosion protection ATEX	⊕ II 2 D Ex ib IIIC T81 °C Db
Certificates	ATEX (ITS), IECEX (ITS)
Electrical Data	
Range in a free field	100 m
Ambient Conditions	
Ambient temperature	-20 °C ... +40 °C

## Technical Data

### Lighting Data


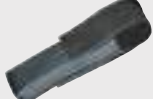

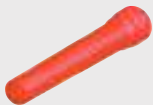
Lamps	LED
Luminous flux	50 lm
Lighting hours	~ 15 – 50 h

### Mechanical Data

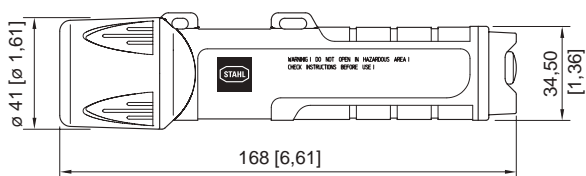
Type of protection (IP)	IP68 (3 m, 30 min.)
Enclosure material	Polycarbonate

Do not open lamp in hazardous locations!  
For other battery types see operating instructions.

## Accessories and Spare Parts

Figure	Description	Art. No.	PS	Weight kg
<b>Battery</b>				
	4 x Energizer AA/LR6	204143	36	0.350
<b>Belt bag</b>				
	black	204141 ▲	36	0.037
<b>Fibre optic top piece</b>				
	Length approx. 250 mm; black	203969 ▲	36	0.025
<b>Warning light hood</b>				
	orange	203968	36	0.050

## Dimensional Drawings (All Dimensions in mm [inches]) – Subject to Alterations





E2

# INSTALLATION EQUIPMENT



Product	Installation in Zone						Series	Page	WebCode
	0	1	2	20	21	22			
<b>Empty Enclosures</b>									
Empty Enclosures Made of Aluminium		•	•		•	•	8250	668	8250A
<b>Installation Switch</b>									
Installation Switch Made of Moulded Material		•	•		•	•	8040/11-V30	634	8040F
<b>Junction Boxes</b>									
Junction Boxes Made of Moulded Material, with 4 ... 8 Sheath Terminals		•	•		•	•	8118	639	8118A
Junction Boxes Made of Moulded Material, with 5 Sheath Terminals		•	•		•	•	8102	636	8102A
<b>Maximum Number of Cable Glands</b>									
Terminal Boxes / Control Stations Series 8146 Maximum Number of Cable Glands								653	
Terminal Boxes / Control Stations Series 8150 Maximum Number of Cable Glands								661	
Terminal Boxes Series 8118 Maximum Number of Cable Glands								645	
Terminal Boxes Series 8252/1 Made of Aluminium Ex d, Maximum Number of Terminal Blocks								665	

Product	Installation in Zone						Series	Page	WebCode
	0	1	2	20	21	22			
<b>Plugs and Sockets</b>									
Coupler Sockets SolConeX 16 A		•	•		•	•	8570/16	727	8570B
Coupler Sockets SolConeX 32 A		•	•		•	•	8571/16	729	8571F
Coupler SolConeX 16 A		•	•		•	•	8572/14	687	8572B
Coupler, Extra-Low Voltage SolConeX 16 A		•	•		•	•	8573/14	700	8573C
Ex Plug Connector 4-poles, 4-poles + PE Bracket		•	•		•	•	8591/1, 8591/4	731	8591A
Ex Plug Connector 6-poles		•	•		•	•	8591/2	734	8591B
Flange Socket SolConeX 16 A		•	•		•	•	8572/15	690	8572C
Flange Socket, Extra-Low Voltage SolConeX 16 A		•	•		•	•	8573/15	703	8573A
Plugs CES 63 A		•	•		•	•	8579/12	717	8579E
Plugs CES 125 A		•	•		•	•	8581/12	723	8581E
Plugs SolConeX 16 A		•	•		•	•	8570/12	679	8570E
Plugs SolConeX 32 A		•	•		•	•	8571/12	710	8571E
Plugs, Extra-Low Voltage SolConeX 16 A		•	•		•	•	8573/12	697	8573D
Wall-Mounting Socket, Compact SolConeX 16 A		•	•		•	•	8572/13	684	8572A
Wall-Mounting Sockets CES 63 A		•	•		•	•	8579/31	713	8579A
Wall-Mounting Sockets CES 125 A		•	•		•	•	8581/31	720	8581A
Wall-Mounting Sockets SolConeX 16 A		•	•		•	•	8570/11	673	8570A
Wall-Mounting Sockets SolConeX 32 A		•	•		•	•	8571/11	706	8571A
Wall-Mounting Sockets, Compact, Extra-Low Voltage SolConeX 16 A		•	•		•	•	8573/13	693	8573B
<b>Terminal Boxes</b>									
Terminal Boxes Ex e Made of Moulded Material		•	•		•	•	8146/1	647	8146A
Terminal Boxes Ex e Made of Stainless Steel		•	•		•	•	8150/1	655	8150A
Terminal Boxes Ex i Made of Moulded Material		•	•		•	•	8146/2	650	8146P
Terminal Boxes Ex i Made of Stainless Steel		•	•		•	•	8150/2	658	8150H
Terminal Boxes Made of Aluminium, Ex d		•	•		•	•	8252/1	663	8252A
Terminal Boxes Made of Moulded Material		•	•		•	•	8118	642	8118B
<b>Accessories for Plug and Socket Devices</b>									
Accessories for Plug and Socket Devices Series 8570, 8571, 8572, 8573, 8579, 8581								725	
<b>Dimensional Drawings</b>									
Terminal Boxes / Control Stations Series 8150 Dimensional Drawings								662	
Terminal Boxes / Junction Boxes Series 8118 Dimensional Drawings								645	
Terminal Boxes Series 8146 Dimensional Drawings								654	

E3

For additional products and information please refer to [r-stahl.com](http://r-stahl.com)



- Available as 2 pole OFF switch or changeover switch
- Enclosure made of optical fibre reinforced polyester resin
- Degree of protection according to IEC/EN 60529
- Clear position indicator 0/1 or ON/OFF

WebCode **8040F**



The installation switches Series 8040/11-V30 are used for lighting installations. The switch position is shown unambiguously by the 90° position. This is especially convenient if lights and switch are in different rooms. The fluorescent turning handle can be useful in the case of a power failure.

E3

	ATEX / IECEx					
Zone	0	1	2	20	21	22
Installation in		•	•		•	•

Selection Table						
Version:		Changeover switch				
Product Type	Gasket material	Ambient temperature	Art. No.	PS	Weight kg	
8040/11-V30-035-B	NBR	-20 °C ... +60 °C	245657 ▲	11	0.615	
8040/11-V30-035-S	Silicone	-60 °C ... +60 °C	245658 ▲	11	0.615	
Version:		OFF switch				
Product Type	Gasket material	Ambient temperature	Art. No.	PS	Weight kg	
8040/11-V30-033-B	NBR	-20 °C ... +60 °C	245655 ▲	11	0.600	
8040/11-V30-033-S	Silicone	-60 °C ... +60 °C	245656 ▲	11	0.600	

Versions according to specification on request

Technical Data	
Explosion Protection	
Certificate IECEX Gas	IECEX PTB 06.0025
Certificate IECEX Dust	IECEX PTB 06.0025
Gas explosion protection IECEX	Ex db eb IIC T6 Gb
Dust explosion protection IECEX	Ex tb IIIC T80 °C Db
Certificate ATEX Gas	PTB 01 ATEX 1105
Certificate ATEX Dust	PTB 01 ATEX 1105

## Technical Data

### Explosion Protection

Gas explosion protection ATEX	Ⓔ II 2 G Ex db eb IIC T6 Gb
Dust explosion protection ATEX	Ⓔ II 2 D Ex tb IIIC T80 °C Db
Certificates	ATEX (PTB), Brazil (ULB), China (CQST), IECEx (PTB), India (PESO), Korea (KGS), Taiwan (ITRI)

### Electrical Data

Rated operational voltage AC	690 V
Rated operational voltage DC	220 V
Rated operational current	16 A
Notes	switching capacity AC-1: 16 A, 690 V AC-15: 16 A, 415 V AC-3: 8 A, 500 V AC-3: 4 A, 690 V DC-1: 10 A, 24 V DC-1: 6 A, 60 V

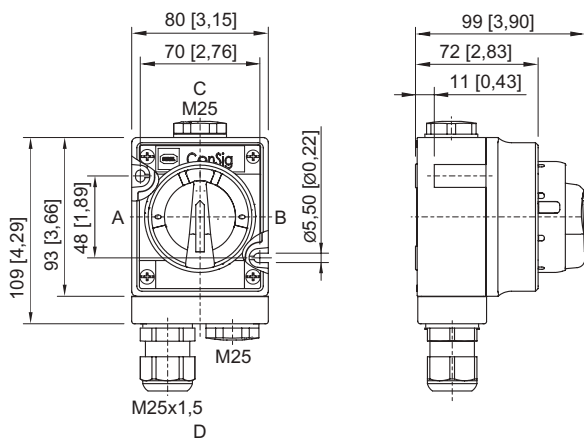
### Mechanical Data

Type of protection (IP)	IP66
Type of protection note	according to IEC/EN 60529
Enclosure material	Polyester, glass fibre-reinforced
Connection terminals min.	1.5 mm <sup>2</sup>
Connection terminals finely-stranded max.	2.5 mm <sup>2</sup>
Connection terminals solid max.	4 mm <sup>2</sup>

### Components

Cable entry	1 x M25 Ø 7 ... 17 mm
Plug	2 x M25 x 1,5

## Dimensional Drawings (All Dimensions in mm [inches]) – Subject to Alterations





- Small resistant Ex e enclosure for distributing electric energy
- Degree of protection IP66
- Equipped with 4 mantle terminals and 1 PE connection

WebCode **8102A**



R. STAHL Series 8102 junction boxes are small Ex e enclosures for transporting and distributing electric energy in hazardous areas. They are made from glass fibre-reinforced polyester resin and are therefore extremely robust. The junction box has 5 mantle terminals, whereby one is used as a PE connection point. The cable dia. range of the mantle terminals is 2 x 4 mm<sup>2</sup>.


E3

	ATEX / IECEx					
Zone	0	1	2	20	21	22
Installation in		•	•		•	•

### Selection Table

Product Description:	Junction box Ex e
Gas explosion protection IECEx:	Ex eb IIC T6 Gb
Dust explosion protection IECEx:	Ex tb IIIC T80 °C Db
Gas explosion protection ATEX:	Ⓜ II 2 G Ex eb IIC T6 Gb
Dust explosion protection ATEX:	Ⓜ II 2 D Ex tb IIIC T80 °C Db

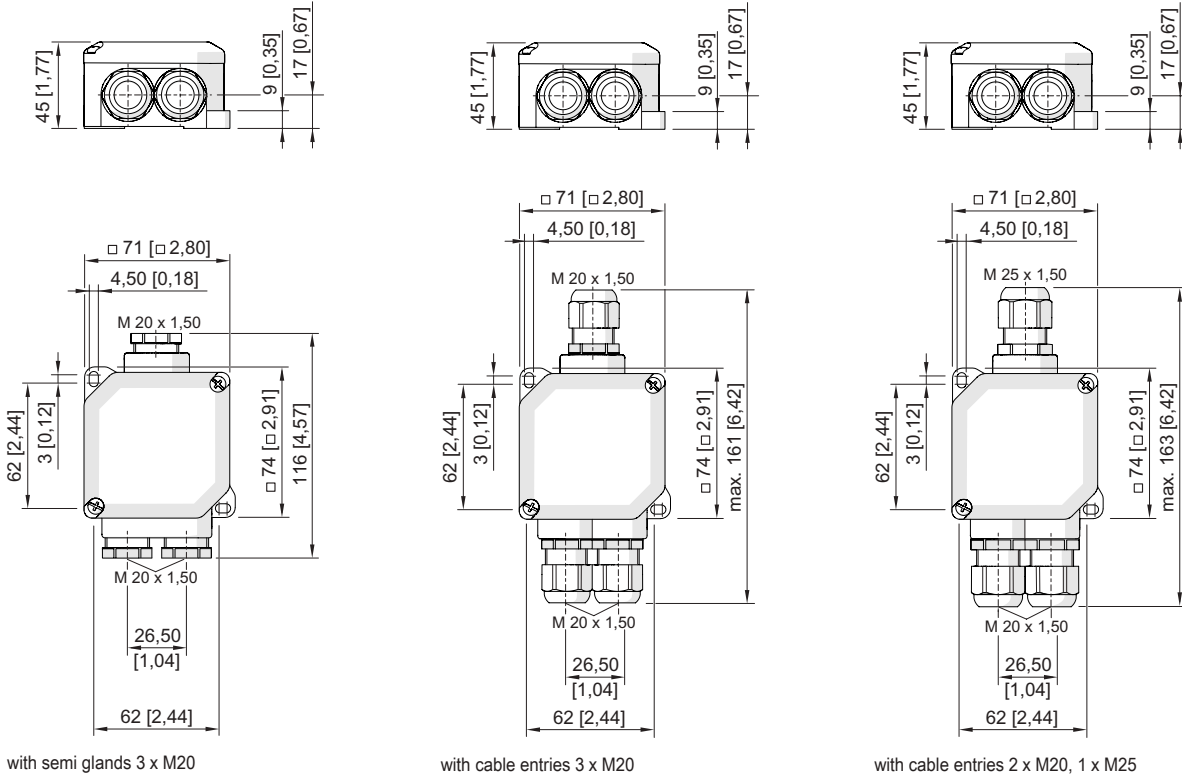
Figure	Product Type	Cable Glands	Terminal	Art. No.	PS	Weight kg
	8102/21-31	3 x Cable gland black Semi gland M20 Ø 6,5 ... 14 mm	5 x Mantle terminal 4 mm <sup>2</sup>	132988 ▲	10	0.300
	8102/21-32	3 x Cable gland black M20 Ø 4 ... 13 mm	5 x Mantle terminal 4 mm <sup>2</sup>	218559	10	0.330
	8102/21-32-C1013	2 x Cable gland black M20 Ø 4 ... 13 mm 1 x Stopping plug M20 x 1,5	5 x Mantle terminal 4 mm <sup>2</sup>	132975 ▲	10	0.330
	8102/21-42-C1151	2 x Cable gland black M20 Ø 6,5 ... 14 mm 1 x Cable gland black M25 Ø 7 ... 17 mm 1 x Stopping plug M20 x 1,5	5 x Mantle terminal 4 mm <sup>2</sup>	132979 ▲	10	0.330

Selection Table						
Figure	Product Type	Cable Glands	Terminal	Art. No.	PS	Weight kg
	8102/22-31	3 x Cable gland black Semi gland M20 Ø 6,5 ... 14 mm	5 x Mantle terminal 4 mm <sup>2</sup>	132989 ▲	10	0.300

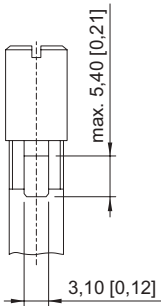
Technical Data	
<b>Explosion Protection</b>	
Certificate IECEX Gas	IECEX PTB 15.0010
Certificate IECEX Dust	IECEX PTB 15.0010
Certificate ATEX Gas	PTB 01 ATEX 1136
Certificate ATEX Dust	PTB 01 ATEX 1136
Certificates	ATEX (PTB), EAC (CCVE), IECEX (PTB)
<b>Electrical Data</b>	
Rated operational voltage AC	690 V
Rated operational current	0 – 16 A
<b>Ambient Conditions</b>	
Notes	Ambient temperature Ex e version -50 °C ... +60 °C (T6) -50 °C ... +70 °C (T5) Ambient temperature Ex i version -50 °C ... +70 °C (T6)
<b>Mechanical Data</b>	
Type of protection (IP)	IP66
Type of protection note	according to IEC/EN 60529
Enclosure material	Polyester resin, glass fibre-reinforced
Accessories and spare parts can be found online at <a href="http://r-stahl.com">r-stahl.com</a>	

E3

Dimensional Drawings (All Dimensions in mm [inches]) – Subject to Alterations



E3



Layout of available connection chamber of sheath terminal



- Resistant Ex e enclosure, universally usable as connection or junction boxes and/or to safeguard electric distributors up to 6.3 A
- Degree of protection IP66
- With mantle terminals or with a combination of mantle terminals and miniature fuses (optional)

WebCode **8118A**



R. STAHL Series 8118 Ex e junction boxes are equipped with 4, 5 or 8 mantle terminals depending on their design size. As an option, miniature fuses can still be installed in addition. Junction boxes are also suitable for safeguarding. The robust enclosure made from glass fibre-reinforced polyester resin can be equipped with plastic or metal cable glands.

	ATEX / IECEx					
Zone	0	1	2	20	21	22
Installation in		•	•		•	•

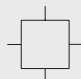
E3

Selection Table							
Product Description:		Junction box Ex e					
Ambient temperature °C:		-60 ... +40 °C					
Gas explosion protection IECEx:		Ex eb IIC T6 Gb					
Gas explosion protection ATEX:		Ⓔ II 2 G Ex eb IIC T6 Gb					
Dust explosion protection IECEx:		Ex tb IIIC T80 °C Db					
Dust explosion protection ATEX:		Ⓔ II 2 D Ex tb IIIC T80 °C Db					
Figure	Product Type	Rated operational voltage AC	Cable Glands	Terminal	Art. No.	PS	Weight kg
	8118/121-804-2	750 V	3 x Stopping plug M25 x 1,5	8 x Mantle terminal 6 mm <sup>2</sup>	202991 ▲	10	0.750
	8118/131-842-2	750 V	4 x Stopping plug M25 x 1,5	8 x Mantle terminal 10 mm <sup>2</sup>	202992	10	0.980

### Selection Table

Product Description:		Junction box Ex e					
Ambient temperature °C:		-40 ... +40 °C					
Gas explosion protection IECEx:		Ex eb IIC T6 Gb					
Gas explosion protection ATEX:		Ⓜ II 2 G Ex eb IIC T6 Gb					
Dust explosion protection IECEx:		Ex tb IIIC T80 °C Db					
Dust explosion protection ATEX:		Ⓜ II 2 D Ex tb IIIC T80 °C Db					
Figure	Product Type	Rated operational voltage AC	Cable Glands	Terminal	Art. No.	PS	Weight kg
	8118/111-401	550 V	2 x Cable gland black M20 Ø 4 ... 13 mm 1 x Stopping plug M20 x 1,5	4 x Mantle terminal 4 mm <sup>2</sup>	133077 ▲	10	0.280
	8118/111-503	550 V	3 x Cable gland black M20 Ø 4 ... 13 mm 1 x Stopping plug M20 x 1,5	5 x Mantle terminal 4 mm <sup>2</sup>	133248 ▲	10	0.300
	8118/121-805	750 V	3 x Cable gland black M25 Ø 7 ... 17 mm 1 x Stopping plug M25 x 1,5	8 x Mantle terminal 6 mm <sup>2</sup>	133114 ▲	10	0.570
	8118/121-806	750 V	4 x Cable gland black M20 Ø 4 ... 13 mm 2 x Stopping plug M20 x 1,5	8 x Mantle terminal 6 mm <sup>2</sup>	133120 ▲	10	0.560
	8118/121-807	750 V	4 x Cable gland black M25 Ø 7 ... 17 mm 2 x Stopping plug M25 x 1,5	8 x Mantle terminal 6 mm <sup>2</sup>	133126 ▲	10	0.600
	8118/121-638-C1917	690 V	2 x Cable gland black with plug M25 Ø 7 ... 17 mm 2 x Cable gland black M25 Ø 7 ... 17 mm	6 x Mantle terminal 6 mm <sup>2</sup>	253858	10	0.800
	8118/131-811	750 V	4 x Cable gland black M32 Ø 9 ... 21 mm 2 x Stopping plug M32 x 1,5	8 x Mantle terminal 10 mm <sup>2</sup>	133186 ▲	10	0.850
	8118/131-814	750 V	6 x Cable gland black M25 Ø 7 ... 17 mm 4 x Stopping plug M25 x 1,5	8 x Mantle terminal 10 mm <sup>2</sup>	133210 ▲	10	0.850
	8118/131-899-C1918	690 V	3 x Cable gland black M32 Ø 9 ... 21 mm 1 x Cable gland black M25 Ø 7 ... 17 mm	8 x Mantle terminal 10 mm <sup>2</sup>	253859	10	0.900
Product Description:		Junction box Ex i					
Ambient temperature °C:		-40 ... +75 °C					
Gas explosion protection IECEx:		Ex ia ib IIC T6 Gb					
Gas explosion protection ATEX:		Ⓜ II 2 G Ex ia ib IIC T6 Gb					
Dust explosion protection IECEx:		Ex tb IIIC T80 °C Db					
Dust explosion protection ATEX:		Ⓜ II 2 D Ex tb IIIC T80 °C Db					
Figure	Product Type	Rated operational voltage AC	Cable Glands	Terminal	Art. No.	PS	Weight kg
	8118/211-401	60 V	2 x Cable gland blue M20 Ø 4 ... 13 mm 1 x Stopping plug M20 x 1,5	4 x Mantle terminal 4 mm <sup>2</sup>	133084 ▲	10	0.280

E3

Selection Table							
Product Description:		Junction box Ex i					
Ambient temperature °C:		-40 ... +75 °C					
Gas explosion protection IECEx:		Ex ia ib IIC T6 Gb					
Gas explosion protection ATEX:		Ⓔ II 2 G Ex ia ib IIC T6 Gb					
Dust explosion protection IECEx:		Ex tb IIIC T80 °C Db					
Dust explosion protection ATEX:		Ⓔ II 2 D Ex tb IIIC T80 °C Db					
Figure	Product Type	Rated operational voltage AC	Cable Glands	Terminal	Art. No.	PS	Weight kg
	8118/211-403	60 V	3 x Cable gland blue M20 Ø 4 ... 13 mm 1 x Stopping plug M20 x 1,5	4 x Mantle terminal 4 mm <sup>2</sup>	133104 ▲	10	0.330

Junction boxes with integral equipment fuse on request

Technical Data	
Explosion Protection	
Certificate IECEx Gas	IECEx PTB 06.0026
Certificate ATEX Gas	PTB 99 ATEX 3103
Certificate IECEx Dust	IECEx PTB 06.0026
Certificate ATEX Dust	PTB 99 ATEX 3103
Certificates	ATEX (PTB), Brazil (ULB), EAC (LPE), IECEx (PTB)
Electrical Data	
Notes	current carrying capacity at 4 mm <sup>2</sup> : max. 24 A at 6 mm <sup>2</sup> : max. 32 A at 10 mm <sup>2</sup> : max. 44 A
Mechanical Data	
Type of protection (IP)	IP66
Enclosure material	Polyester resin, glass fibre-reinforced
Dimensional drawings see page 645	

E3



- Compact, impact-resistant enclosures, also in versions with integrated metal bracket for the optimised assembly of cable glands
- Customer-specific equipping with terminals, cable glands and miniature fuses
- Degree of protection IP66

WebCode **8118B**



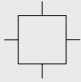
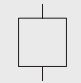
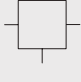
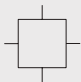
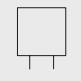
R. STAHL Series 8118 terminal boxes are equipped, in accordance with customer specifications, with various series terminals and cable glands made from plastic or metal, if required also with miniature fuses. They are available in 3 design sizes and are made from glass fibre reinforced polyester resin.

	ATEX / IECEx					
Zone	0	1	2	20	21	22
Installation in		•	•		•	•

### Selection Table

Product Description:		Terminal box Ex e						
Rated operational voltage AC:		550 V						
Ambient temperature °C:		-50 ... +40 °C						
Gas explosion protection IECEx:		Ex eb IIC T6 Gb						
Gas explosion protection ATEX:		Ⓜ II 2 G Ex eb IIC T6 Gb						
Dust explosion protection IECEx:		Ex tb IIIC T80 °C Db						
Dust explosion protection ATEX:		Ⓜ II 2 D Ex tb IIIC T80 °C Db						
Figure	Product Type	Product Variant	Cable Glands	Terminal	Terminal rail	Art. No.	PS	Weight kg
	8118/122-504-2	with integrated metal bracket <sup>1)</sup>	1 x Stopping plug M25 x 1,5	5 x WAGO 2002 3-conductor 2,5 mm <sup>2</sup> grey 1 x WAGO 2002 3-conductor 2,5 mm <sup>2</sup> gn-ye	–	202995 ▲	10	0.680
	8118/132-542-2	with integrated metal bracket <sup>1)</sup>	2 x Stopping plug M25 x 1,5	7 x WAGO 2002 4-conductor 2,5 mm <sup>2</sup> grey 1 x WAGO 2002 4-conductor 2,5 mm <sup>2</sup> gn-ye	–	202996	10	0.890

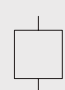


## Selection Table

Product Description: Rated operational voltage AC: Ambient temperature °C: Gas explosion protection IECEx: Gas explosion protection ATEX: Dust explosion protection IECEx: Dust explosion protection ATEX:		Terminal box Ex e 690 V -50 ... +55 °C Ex eb IIC T5 Gb Ⓜ II 2 G Ex eb IIC T5 Gb Ex tb IIIC T95 °C Db Ⓜ II 2 D Ex tb IIIC T95 °C Db						
Figure	Product Type	Product Variant	Cable Glands	Terminal	Terminal rail	Art. No.	PS	Weight kg
	8118/122-305-GB	with integrated metal bracket <sup>1)</sup>	2 x Stopping plug M25 x 1,5	6 x Weidmüller WDU 2-conductor 2,5 mm <sup>2</sup> beige 2 x Weidmüller WPE 2- conductor 4 mm <sup>2</sup> gn-ye	–	133123 ▲	10	0.720
	8118/122-331-GB	with integrated metal bracket <sup>1)</sup>	2 x Stopping plug M20 x 1,5	6 x Weidmüller WDU 2-conductor 2,5 mm <sup>2</sup> beige 2 x Weidmüller WPE 2- conductor 4 mm <sup>2</sup> gn-ye	–	133117 ▲	10	0.720
Product Description: Rated operational voltage AC: Ambient temperature °C: Gas explosion protection IECEx: Gas explosion protection ATEX: Dust explosion protection IECEx: Dust explosion protection ATEX:		Terminal box Ex e 690 V -40 ... +40 °C Ex eb IIC T6 Gb Ⓜ II 2 G Ex eb IIC T6 Gb Ex tb IIIC T80 °C Db Ⓜ II 2 D Ex tb IIIC T80 °C Db						
Figure	Product Type	Product Variant	Cable Glands	Terminal	Terminal rail	Art. No.	PS	Weight kg
	8118/112-047-0	–	2 x Cable gland black M20 Ø 6 ... 13 mm 1 x Stopping plug (provided separately) M20 x 1,5	3 x WAGO 264 2- conductor 2,5 mm <sup>2</sup> grey 1 x WAGO 264 4- conductor 2,5 mm <sup>2</sup> gn-ye	15 x 70 mm (1x)	224642 ▲	10	0.360
	8118/122-504-0	–	3 x Cable gland black M25 Ø 7 ... 17 mm 2 x Stopping plug M25 x 1,5	11 x Phoenix UT 2- conductor 4 mm <sup>2</sup> grey 2 x Phoenix USLKG 2- conductor 4 mm <sup>2</sup> gn-ye	35 x 90 mm (1x)	224644 ▲	10	0.610
	8118/132-542-0	–	4 x Cable gland black M25 Ø 7 ... 17 mm 2 x Stopping plug M25 x 1,5	11 x Phoenix UT 2- conductor 4 mm <sup>2</sup> grey 2 x Phoenix USLKG 2- conductor 4 mm <sup>2</sup> gn-ye	35 x 120 mm (1x)	224646 ▲	10	0.890
Product Description: Rated operational voltage AC: Ambient temperature °C: Gas explosion protection IECEx: Gas explosion protection ATEX: Dust explosion protection IECEx: Dust explosion protection ATEX:		Terminal box Ex e 690 V -20 ... +40 °C Ex eb IIC T6 Gb Ⓜ II 2 G Ex eb IIC T6 Gb Ex tb IIIC T80 °C Db Ⓜ II 2 D Ex tb IIIC T80 °C Db						
Figure	Product Type	Product Variant	Cable Glands	Terminal	Terminal rail	Art. No.	PS	Weight kg
	8118/122-199-K0125	–	1 x Cable gland black M25 Ø 7 ... 17 mm 1 x Bell mouthed gland M25 x 1,5	4 x Phoenix UT 2- conductor 4 mm <sup>2</sup> grey 1 x Phoenix UT 2- conductor 4 mm <sup>2</sup> gn-ye	–	220336	10	0.580

E3

### Selection Table

Product Description:	Terminal box Ex i
Rated operational voltage AC:	60 V
Ambient temperature °C:	-40 ... +75 °C
Gas explosion protection IECEx:	Ex ia ib IIC T6 Gb
Gas explosion protection ATEX:	Ⓔ II 2 G Ex ia ib IIC T6 Gb
Dust explosion protection IECEx:	Ex tb IIIC T80 °C Db
Dust explosion protection ATEX:	Ⓔ II 2 D Ex tb IIIC T80 °C Db

Figure	Product Type	Product Variant	Cable Glands	Terminal	Terminal rail	Art. No.	PS	Weight kg
	8118/212-047-0	–	2 x Cable gland blue M20 Ø 4 ... 13 mm 1 x Stopping plug (provided separately) M20 x 1,5	3 x WAGO 264 4-conductor 2,5 mm² blue 1 x WAGO 264 4-conductor 2,5 mm² gray	15 x 70 mm (1x)	224643 ▲	10	0.360
	8118/222-504-0	–	3 x Cable gland blue M25 Ø 7 ... 17 mm 2 x Stopping plug M25 x 1,5	9 x Phoenix UT 2-conductor 4 mm² blue 2 x Phoenix UT 2-conductor 4 mm² gray	35 x 90 mm (1x)	224645 ▲	10	0.610
	8118/232-542-0	–	4 x Cable gland blue M25 Ø 7 ... 17 mm 2 x Stopping plug M25 x 1,5	9 x Phoenix UT 2-conductor 4 mm² blue 2 x Phoenix UT 2-conductor 4 mm² gray	35 x 120 mm (1x)	224647	10	0.890

Enclosure equipped with terminals  
Stopping plugs are enclosed separately

‡ for metal cable glands

### Technical Data

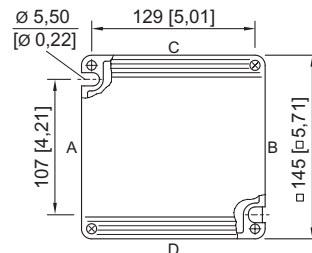
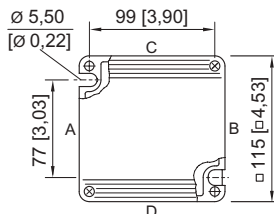
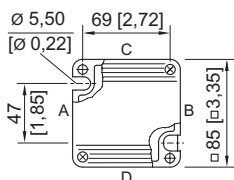
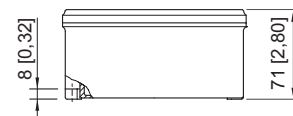
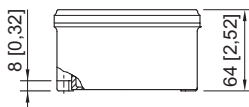
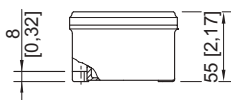
#### Explosion Protection

Certificate IECEx Gas	IECEX PTB 06.0026
Certificate ATEX Gas	PTB 99 ATEX 3103
Certificate IECEx Dust	IECEX PTB 06.0026
Certificate ATEX Dust	PTB 99 ATEX 3103
Certificates	ATEX (PTB), Brazil (ULB), China (CQST), EAC (LPE), IECEx (PTB)

#### Mechanical Data

Type of protection (IP)	IP66
Type of protection note	according to IEC/EN 60529
Enclosure material	Polyester resin, glass fibre-reinforced
Silicone-free	No

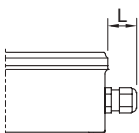
**Dimensional Drawings (All Dimensions in mm [inches]) – Subject to Alterations**



8118/.1.  
enclosure size 1

8118/.2.  
enclosure size 2

8118/.3.  
enclosure size 3



Length L  
 protrusion length for cable glands, Series 8161  
 in case of M20: 25 ... 31 mm  
 in case of M25: 27 ... 33 mm  
 in case of M32: 32 ... 39 mm  
 protrusion length for cable glands with strain relief,  
 Series HSK-K-MZ  
 in case of M25: 41 mm

E3

**Max. Number of Mountable Cable Glands Series 8161**

		Enclosure size/side		
		8118/.1.	8118/.2.	8118/.3.
Type	Size	Side C / D	Side C / D	Side C / D
	M16 x 1.5	2	3	5
	M20 x 1.5	1	3	4
	M25 x 1.5	-	2	3
	M32 x 1.5	-	1	2



## TERMINAL BOX CONFIGURATOR HELP

The Terminal Box Configurator of R. STAHL ensures to generate your terminal box individually according to your specifications.

You can use the Terminal Box Configurator to specify your customised terminal box in accordance with your requirements and choose between 8146 GRP and 8150 stainless steel enclosures. It offers a variety of terminals, cable glands and blanking plugs. TAG Labels can be individually specified in either plastic or stainless steel. PE and PA connections are automatically included. The temperature class depends on the ambient temperature. Should you require a higher ambient temperature, then please reduce the temperature class from T6 to T5 or T4.

As a guest user you can configure your terminal box and request a quotation.

As a registered user in Germany you have unlimited access to all functions of the Terminal Box Configurator including prices. You can also request a quotation as well as place an order right away.

Up to 25 terminal boxes can be assembled via our fast production line ready for despatch to many European destinations within just three working days.

Configure your terminal box at [r-stahl.com/configurator](http://r-stahl.com/configurator) now.

Should you have any questions please do not hesitate to get in touch with our sales contact.

### Shopping Cart

new configuration

#### Start a new configuration

- Select a relevant picture

edit position

#### Amendment of configured item

- Tick relevant item
- Click on "edit position"

copy to clipboard

#### Copy configured items to clipboard

- Tick relevant item(s)
- Click on "copy to clipboard"

delete selected

#### Delete configured item from shopping cart

- Tick relevant item(s)
- Click on "delete selected"

update shopping cart

#### Update shopping cart when amending quantities

- Amend quantities of relevant item(s)
- Click on "update shopping cart"

finish

#### Request quotation or place order

- Check / amend quantities
- Click on "finish"

#### Technical data of configured item

- Tick relevant item
- Click on "info button"

#### Overview of configured items via e-mail

- Tick relevant item(s)
- Click on "envelope button"

### Clipboard

copy to clipboard

#### Copy configured items to clipboard

- Tick relevant item(s)
- Click on "copy to clipboard"

delete selected

#### Delete configured item from shopping cart

- Tick relevant item(s)
- Click on "delete selected"

#### Overview of configured items via e-mail

- Tick relevant item(s)
- Click on "envelope button"



- Wide range of Ex e terminal boxes in various sizes and materials, degree of protection IP66
- Customised equipping in accordance with customer specifications
- Enclosures with captive cover screws, if required, flange on enclosure sides is possible

WebCode **8146A**



R. STAHL Series 8146 terminal boxes, made of high-quality, glass fibre-reinforced polyester resin, are ideal for use in harsh operating conditions. With eight basic sizes in various heights, they are universally usable. If requested by the customer, they are equipped with series terminals up to 300 mm<sup>2</sup> and, as an option, a flange on several enclosure sides is possible.

	ATEX / IECEx					
Zone	0	1	2	20	21	22
Installation in		•	•		•	•

E3

Selection Table									
Ambient temperature °C:		-60 ... +40 °C							
Rated operational voltage AC:		275 V							
Figure	Product Type	Terminal	Terminal rail	Earth rail	Max. no. of terminals 2.5 mm <sup>2</sup>	Max. no. of terminals 4 mm <sup>2</sup>	Art. No.	PS	Weight kg
	8146/1S71	1 x Phoenix MBK 2-conductor 2,5 mm <sup>2</sup> grey	15 301 mm (2x)	7 x 4 mm <sup>2</sup> (1x)	-	98	136742	10	2.010
Ambient temperature °C:		-60 ... +40 °C							
Rated operational voltage AC:		500 V							
Figure	Product Type	Terminal	Terminal rail	Earth rail	Max. no. of terminals 2.5 mm <sup>2</sup>	Max. no. of terminals 4 mm <sup>2</sup>	Art. No.	PS	Weight kg
	8146/1051	1 x Phoenix MBK 2-conductor 2,5 mm <sup>2</sup> grey	15 133 mm (2x)	7 x 4 mm <sup>2</sup> (1x)	-	32	136692	10	1.070
	8146/1061	1 x Phoenix MBK 2-conductor 2,5 mm <sup>2</sup> grey	15 189 mm (2x)	7 x 4 mm <sup>2</sup> (1x)	-	54	136718	10	1.460

## Selection Table

Ambient temperature °C: -60 ... +40 °C  
 Rated operational voltage AC: 690 V

Figure	Product Type	Terminal	Terminal rail	Earth rail	Max. no. of terminals 2.5 mm <sup>2</sup>	Max. no. of terminals 4 mm <sup>2</sup>	Art. No.	PS	Weight kg
	8146/1S71	1 x Phoenix UT 2-conductor 2,5 mm <sup>2</sup> grey	35 301 mm (1x)	7 x 4 mm <sup>2</sup> (1x)	49	–	136738 ▲	10	2.010
	8146/1S71	1 x Phoenix UT 2-conductor 4 mm <sup>2</sup> grey	35 301 mm (1x)	7 x 4 mm <sup>2</sup> (1x)	–	41	136740 ▲	10	2.000
	8146/1031	1 x Phoenix UT 2-conductor 2,5 mm <sup>2</sup> grey 2 x Phoenix UT 2-conductor 2,5 mm <sup>2</sup> gn-ye	35 90 mm (1x)	–	6	–	136603 ▲	10	0.640
	8146/1041	1 x Phoenix UT 2-conductor 2,5 mm <sup>2</sup> grey 2 x Phoenix UT 2-conductor 2,5 mm <sup>2</sup> gn-ye	35 133 mm (1x)	–	19	–	136665 ▲	10	0.730
	8146/1041	1 x Phoenix UT 2-conductor 4 mm <sup>2</sup> grey 2 x Phoenix UT 2-conductor 4 mm <sup>2</sup> gn-ye	35 133 mm (1x)	–	–	16	136667 ▲	10	1.000
	8146/1051	1 x Phoenix UT 2-conductor 2,5 mm <sup>2</sup> grey	35 133 mm (1x)	7 x 4 mm <sup>2</sup> (1x)	19	–	136688 ▲	10	1.060
	8146/1051	1 x Phoenix UT 2-conductor 4 mm <sup>2</sup> grey	35 133 mm (1x)	7 x 4 mm <sup>2</sup> (1x)	–	16	136690 ▲	10	1.000
	8146/1061	1 x Phoenix UT 2-conductor 2,5 mm <sup>2</sup> grey	35 189 mm (1x)	7 x 4 mm <sup>2</sup> (1x)	27	–	136714 ▲	10	1.400
	8146/1061	1 x Phoenix UT 2-conductor 4 mm <sup>2</sup> grey	35 189 mm (1x)	7 x 4 mm <sup>2</sup> (1x)	–	23	136716 ▲	10	1.350
	8146/1081	1 x Phoenix UT 2-conductor 2,5 mm <sup>2</sup> grey	35 301 mm (1x)	18 x 4 mm <sup>2</sup> (1x)	52	–	136800 ▲	10	3.400
	8146/1081	1 x Phoenix UT 2-conductor 2,5 mm <sup>2</sup> grey	35 301 mm (2x)	18 x 4 mm <sup>2</sup> (1x)	98	–	136804	10	3.810
	8146/1081	1 x Phoenix UT 2-conductor 2,5 mm <sup>2</sup> grey	35 301 mm (3x)	18 x 4 mm <sup>2</sup> (1x)	147	–	136808	10	4.200
	8146/1081	1 x Phoenix UT 2-conductor 4 mm <sup>2</sup> grey	35 301 mm (1x)	18 x 4 mm <sup>2</sup> (1x)	–	43	136802 ▲	10	3.370
	8146/1081	1 x Phoenix UT 2-conductor 4 mm <sup>2</sup> grey	35 301 mm (2x)	18 x 4 mm <sup>2</sup> (1x)	–	82	136806	10	3.800
	8146/1081	1 x Phoenix UT 2-conductor 4 mm <sup>2</sup> grey	35 301 mm (3x)	18 x 4 mm <sup>2</sup> (1x)	–	123	136810	10	4.130

E3

Selection Table									
Ambient temperature °C:		-60 ... +40 °C							
Rated operational voltage AC:		690 V							
Figure	Product Type	Terminal	Terminal rail	Earth rail	Max. no. of terminals 2.5 mm <sup>2</sup>	Max. no. of terminals 4 mm <sup>2</sup>	Art. No.	PS	Weight kg
	8146/1093	1 x Phoenix UT 2-conductor 2,5 mm <sup>2</sup> grey	35 637 mm (1x)	18 x 4 mm <sup>2</sup> (2x)	104	–	136898 ▲	10	7.100
	8146/1093	1 x Phoenix UT 2-conductor 2,5 mm <sup>2</sup> grey	35 637 mm (2x)	18 x 4 mm <sup>2</sup> (2x)	196	–	136900	10	7.300
	8146/1093	1 x Phoenix UT 2-conductor 4 mm <sup>2</sup> grey	35 637 mm (1x)	18 x 4 mm <sup>2</sup> (2x)	–	86	136899	10	7.300
	8146/1093	1 x Phoenix UT 2-conductor 4 mm <sup>2</sup> grey	35 637 mm (2x)	18 x 4 mm <sup>2</sup> (2x)	–	164	136901	10	7.500

The enclosures are equipped with mounting rails, PE terminals and 1 terminal block of the specified type. 2 connections can be established for each terminal on the PE rail.

You can use the terminal box configurator to configure additional versions. See page 646 or go online and visit [r-stahl.com/configurator](http://r-stahl.com/configurator)

Technical Data	
Explosion Protection	
Certificate IECEX Gas	IECEX PTB 06.0046
Certificate ATEX Gas	PTB 01 ATEX 1016
Certificate IECEX Dust	IECEX PTB 06.0046
Certificate ATEX Dust	PTB 01 ATEX 1016
Gas explosion protection IECEX	Ex eb IIC T6 Gb
Gas explosion protection ATEX	⊕ II 2 G Ex eb IIC T6 Gb
Dust explosion protection IECEX	Ex tb IIIC T80 °C Db
Dust explosion protection ATEX	⊕ II 2 D Ex tb IIIC T80 °C Db
Certificates	ATEX (PTB), Brazil (ULB), Canada / USA (UL), Canada (CSA), Canada (UL), China (NEPSI), EAC (LPE), IECEX (PTB), India (PESO), Korea (KGS), Taiwan (ITRI), USA (UL)
Ship approval	RS
Electrical Data	
Notes	Rated operational voltage max. 1100 V AC/DC (depending on terminal types and explosion-protected components used)
Mechanical Data	
Type of protection (IP)	IP66
Type of protection note	according to IEC/EN 60529
Enclosure material	Polyester resin, glass fibre-reinforced
Silicone-free	No
Components	
Notes	Please observe the information of the terminal manufacturer, e.g. the tightening torque
Max. number of mountable cable glands Series 8161 found on page 653	
Dimensional drawings found on page 654	



- Wide range of Ex i terminal boxes in various sizes and materials, degree of protection IP66
- Customised equipping in accordance with customer specifications
- Enclosures with captive cover screws, if required, flange on enclosure sides is possible

WebCode 8146P



R. STAHL Series 8146 terminal boxes, made of high-quality, glass fibre-reinforced polyester resin, are ideal for use in harsh operating conditions. With eight basic sizes in various heights, they are universally usable. If requested by the customer, they are equipped with series terminals up to 300 mm<sup>2</sup> and, as an option, a flange on several enclosure sides is possible.

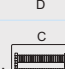
E3

	ATEX / IECEx					
Zone	0	1	2	20	21	22
Installation in		•	•		•	•

Selection Table									
Ambient temperature °C:		-60 ... +75 °C							
Rated operational voltage AC:		60 V							
Figure	Product Type	Terminal	Terminal rail	PA rail	Max. no. of terminals 2.5 mm <sup>2</sup>	Max. no. of terminals 4 mm <sup>2</sup>	Art. No.	PS	Weight kg
	8146/2S71	1 x Phoenix MBK 2-conductor 2,5 mm <sup>2</sup> grey	15 301 mm (2x)	7 x 4 mm <sup>2</sup> (1x)	–	98	136743	10	2.010
	8146/2S71	1 x Phoenix UT 2-conductor 2,5 mm <sup>2</sup> blue	35 301 mm (1x)	7 x 4 mm <sup>2</sup> (1x)	49	–	136739 ▲	10	2.010
	8146/2S71	1 x Phoenix UT 2-conductor 4 mm <sup>2</sup> blue	35 301 mm (1x)	7 x 4 mm <sup>2</sup> (1x)	–	41	136741 ▲	10	2.000
	8146/2041	1 x Phoenix UT 2-conductor 2,5 mm <sup>2</sup> blue 2 x Phoenix UT 2-conductor 4 mm <sup>2</sup> grey	35 133 mm (1x)	–	19	–	136666 ▲	10	0.730
	8146/2041	1 x Phoenix UT 2-conductor 4 mm <sup>2</sup> blue 2 x Phoenix UT 2-conductor 4 mm <sup>2</sup> grey	35 133 mm (1x)	–	–	16	136668 ▲	10	0.700

## Selection Table

Ambient temperature °C: -60 ... +75 °C  
 Rated operational voltage AC: 60 V

Figure	Product Type	Terminal	Terminal rail	PA rail	Max. no. of terminals 2.5 mm <sup>2</sup>	Max. no. of terminals 4 mm <sup>2</sup>	Art. No.	PS	Weight kg
	8146/2051	1 x Phoenix MBK 2-conductor 2,5 mm <sup>2</sup> grey	15 133 mm (2x)	7 x 4 mm <sup>2</sup> (1x)	-	32	136693	10	1.070
	8146/2051	1 x Phoenix UT 2-conductor 2,5 mm <sup>2</sup> blue	35 133 mm (1x)	7 x 4 mm <sup>2</sup> (1x)	19	-	136689 ▲	10	1.000
	8146/2051	1 x Phoenix UT 2-conductor 4 mm <sup>2</sup> blue	35 133 mm (1x)	7 x 4 mm <sup>2</sup> (1x)	-	16	136691 ▲	10	1.000
	8146/2061	1 x Phoenix MBK 2-conductor 2,5 mm <sup>2</sup> grey	15 189 mm (2x)	7 x 4 mm <sup>2</sup> (1x)	-	54	136719	10	1.460
	8146/2061	1 x Phoenix UT 2-conductor 2,5 mm <sup>2</sup> blue	35 189 mm (1x)	7 x 4 mm <sup>2</sup> (1x)	27	-	136715 ▲	10	1.400
	8146/2061	1 x Phoenix UT 2-conductor 4 mm <sup>2</sup> blue	35 189 mm (1x)	7 x 4 mm <sup>2</sup> (1x)	-	23	136717 ▲	10	1.350
	8146/2081	1 x Phoenix UT 2-conductor 2,5 mm <sup>2</sup> blue	35 301 mm (1x)	18 x 4 mm <sup>2</sup> (1x)	52	-	136801 ▲	10	3.400
	8146/2081	1 x Phoenix UT 2-conductor 2,5 mm <sup>2</sup> blue	35 301 mm (2x)	18 x 4 mm <sup>2</sup> (1x)	98	-	136805	10	3.810
	8146/2081	1 x Phoenix UT 2-conductor 2,5 mm <sup>2</sup> blue	35 301 mm (3x)	18 x 4 mm <sup>2</sup> (1x)	147	-	136809	10	4.200
	8146/2081	1 x Phoenix UT 2-conductor 4 mm <sup>2</sup> blue	35 301 mm (1x)	18 x 4 mm <sup>2</sup> (1x)	-	43	136803	10	3.370
	8146/2081	1 x Phoenix UT 2-conductor 4 mm <sup>2</sup> blue	35 301 mm (2x)	18 x 4 mm <sup>2</sup> (1x)	-	82	136807	10	3.800
	8146/2081	1 x Phoenix UT 2-conductor 4 mm <sup>2</sup> blue	35 301 mm (3x)	18 x 4 mm <sup>2</sup> (1x)	-	123	136811	10	4.130
	8146/2093	1 x Phoenix UT 2-conductor 2,5 mm <sup>2</sup> blue	35 637 mm (1x)	18 x 4 mm <sup>2</sup> (2x)	104	-	136902	10	7.100
	8146/2093	1 x Phoenix UT 2-conductor 2,5 mm <sup>2</sup> blue	35 637 mm (2x)	18 x 4 mm <sup>2</sup> (2x)	196	-	136904	10	7.300
	8146/2093	1 x Phoenix UT 2-conductor 4 mm <sup>2</sup> blue	35 637 mm (1x)	18 x 4 mm <sup>2</sup> (2x)	-	86	136903	10	7.300
	8146/2093	1 x Phoenix UT 2-conductor 4 mm <sup>2</sup> blue	35 637 mm (2x)	18 x 4 mm <sup>2</sup> (2x)	-	164	136905	10	7.500

E3

The enclosures are equipped with mounting rails, PA-terminals and 1 terminal block of the specified type. 2 connections can be established for each terminal on the PA-rail.

You can use the terminal box configurator to configure additional versions.  
See page 646 or go online and visit [r-stahl.com/configurator](http://r-stahl.com/configurator)

## Technical Data

### Explosion Protection

Certificate IECEX Gas	IECEX PTB 06.0046
Certificate ATEX Gas	PTB 01 ATEX 1016
Certificate IECEX Dust	IECEX PTB 06.0046
Certificate ATEX Dust	PTB 01 ATEX 1016
Gas explosion protection IECEX	Ex ia ib IIC T6 Gb
Gas explosion protection ATEX	Ⓜ II 2 G Ex ia ib IIC T6 Gb
Dust explosion protection IECEX	Ex tb IIIC T80 °C Db
Dust explosion protection ATEX	Ⓜ II 2 D Ex tb IIIC T80 °C Db
Certificates	ATEX (PTB), Brazil (ULB), China (NEPSI), EAC (LPE), IECEX (PTB), India (PESO), Taiwan (ITRI)
Ship approval	RS

### Mechanical Data

Type of protection (IP)	IP66
Type of protection note	according to IEC/EN 60529
Enclosure material	Polyester resin, glass fibre-reinforced
Silicone-free	No

### Components

Notes	Please observe the information of the terminal manufacturer, e.g. the tightening torque
-------	---

Max. number of mountable cable glands Series 8161 found on page 653

Dimensional drawings found on page 654

### Maximum Number of Mountable Cable Glands Series 8161

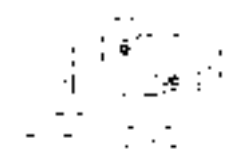
**Attention:**

The maximum number of cable glands which can be mounted in the enclosure walls depends on the position of the installed mounting rails and components.

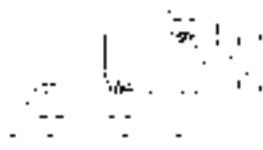
Cable gland	Enclosure size																											
Size	8146/.031				8146/.041				8146/.241/.242				8146/.051/.052				8146/.061/.062											
	without flange		without flange		without flange		with flange		without flange		with flange		without flange		with flange		without flange		with flange		without flange		with flange					
	A/B	C/D	A/B	C/D	A/B	C/D	A/B	C/D	A/B	C/D	A/B	C/D	A/B	C/D	A/B	C/D	A/B	C/D	A/B	C/D	A/B	C/D	A/B	C/D				
M16 x 1.5	3	4	5	7	5	10	-	7	6	8	-	7	8	10	7	7	8	18	7	14								
M20 x 1.5	2	2	2	5	3	7	-	3	4	6	-	3	6	7	3	3	6	14	3	6								
M25 x 1.5	1	2	2	3	2	6	-	3	3	4	-	3	4	5	3	3	4	9	3	6								
M32 x 1.5	1	1	1	2	1	3	-	2	2	2	-	2	2	3	2	2	2	6	2	4								
M40 x 1.5	-	1	1	1	1	2	-	2	1	2	-	2	2	2	2	2	2	4	2	4								
M50 x 1.5	-	-	-	-	1	2	-	-	-	-	-	-	-	-	-	-	-	1	-	-								
	without flange				without flange				without flange				with flange				without flange				with flange							
M16 x 1.5	20	43	12	32	6	20	-	14	13	50	-	32	18	20	14	14												
M20 x 1.5	12	28	9	19	4	16	-	6	8	32	-	19	14	16	6	6												
M25 x 1.5	9	20	6	14	3	10	-	6	7	23	-	14	9	10	6	6												
M32 x 1.5	5	12	4	10	2	7	-	4	4	13	-	10	6	7	4	4												
M40 x 1.5	4	8	2	5	1	5	-	4	2	9	-	5	4	5	4	4												
M50 x 1.5	2	5	1	3	-	-	-	-	1	5	-	3	-	-	-	-												
M63 x 1.5	1	3	1	2	-	-	-	-	1	3	-	2	-	-	-	-												
	without flange				without flange				without flange				with flange				without flange				with flange							
M16 x 1.5	43	50	32	32	20	36	14	28	50	90	32	64																
M20 x 1.5	28	32	19	19	16	29	6	12	32	58	19	38																
M25 x 1.5	20	23	14	14	10	17	6	12	23	44	14	28																
M32 x 1.5	12	13	10	10	7	12	4	8	13	26	10	20																
M40 x 1.5	8	9	5	5	5	9	4	8	9	18	5	10																
M50 x 1.5	5	5	3	3	-	-	-	-	5	7	3	6																
M63 x 1.5	3	3	2	2	-	-	-	-	3	6	2	4																

E3

Dimensional Drawings (All Dimensions in mm [inches]) – Subject to Alterations



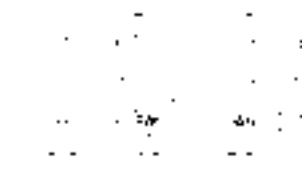
8146/.03.



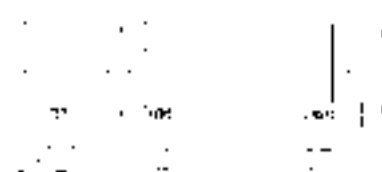
8146/.04.



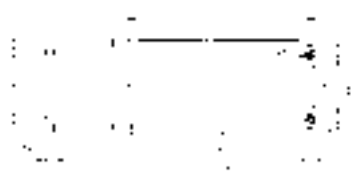
8146/.05.



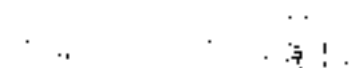
8146/.06.



8146/.07.



8146/.S7.



8146/.08.



8146/.09.



Additional dimension for flange mounting  
 Flange thickness 2.8 mm: dimension a = 7 mm  
 Flange thickness 5.8 mm: dimension a = 10 mm

Enclosure	Enclosure height h				
	8146/...1 91 mm	8146/...2 131 mm	8146/...3 150 mm	8146/...5 190 mm	8146/...6 230 mm
8146/.03.	X	-	-	-	-
8146/.04.	X	-	-	-	-
8146/.05.	X	X	-	-	-
8146/.06.	X	X	-	-	-
8146/.07.	X	X	X	X	-
8146/.S7.	X	-	X	-	-
8146/.08.	X	X	X	X	X
8146/.09.	X	X	X	X	-

X ... can be supplied



- Resistant Ex e terminal boxes made from stainless steel, degree of protection IP66, external earth connection M8
- Version as screw-on cover or hinge cover with sash locks
- Equipped as required

WebCode **8150A**



R. STAHL Series 8150 Ex e terminal boxes are made of brushed stainless steel (1.4301, AISI 304 or 1.4404, AISI 316L) and are particularly resistant. The optimised design and the circumferential protection channel on the cover opening and the silicone seal suitable for the most extreme temperature ranges make the enclosure usable worldwide. Various optional accessories are available.

	ATEX / IECEx					
Zone	0	1	2	20	21	22
Installation in		•	•		•	•

E3

Selection Table								
Enclosure material:		Stainless steel 1.4301, (AISI 304), brush finished						
Figure	Product Type	Terminal	Terminal rail	Max. no. of terminals 2,5 mm <sup>2</sup>	Max. no. of terminals 4 mm <sup>2</sup>	Art. No.	PS	Weight kg
	8150/1-0176-0116-091-2311	1 x WAGO 2002 2-conductor 2,5 mm <sup>2</sup> grey	35 133 mm (1x)	19	–	212679 ▲	10	2.250
	8150/1-0176-0176-091-2311	1 x WAGO 2002 2-conductor 2,5 mm <sup>2</sup> grey	35 133 mm (1x)	19	–	212773	10	2.540
	8150/1-0236-0176-091-2311	1 x WAGO 2002 2-conductor 2,5 mm <sup>2</sup> grey	35 189 mm (1x)	27	–	212777	10	3.087
	8150/1-0360-0176-091-2311	1 x WAGO 2002 2-conductor 2,5 mm <sup>2</sup> grey	35 301 mm (1x)	52	–	212785	10	3.748
	8150/1-0300-0200-150-2311	1 x WAGO 2002 2-conductor 2,5 mm <sup>2</sup> grey	35 258 mm (1x)	43	–	212781	10	4.282
	8150/1-0400-0300-150-2311	1 x WAGO 2002 2-conductor 2,5 mm <sup>2</sup> grey	35 358 mm (1x)	63	–	212793	10	7.235

## Selection Table

Enclosure material: Stainless steel 1.4301, (AISI 304), brush finished								
Figure	Product Type	Terminal	Terminal rail	Max. no. of terminals 2.5 mm <sup>2</sup>	Max. no. of terminals 4 mm <sup>2</sup>	Art. No.	PS	Weight kg
	8150/1-0360-0360-091-2311	1 x WAGO 2002 2-conductor 2,5 mm <sup>2</sup> grey	35 301 mm (1x)	52	–	212789	10	4.266
	8150/1-0727-0360-150-2311	1 x WAGO 2002 2-conductor 2,5 mm <sup>2</sup> grey	35 672 mm (1x)	114	–	212805	10	7.116
	8150/1-0400-0400-150-2311	1 x WAGO 2002 2-conductor 2,5 mm <sup>2</sup> grey	35 358 mm (1x)	63	–	212797	10	8.800
Enclosure material: Stainless steel 1.4404, (AISI 316L), brush finished								
Figure	Product Type	Terminal	Terminal rail	Max. no. of terminals 2.5 mm <sup>2</sup>	Max. no. of terminals 4 mm <sup>2</sup>	Art. No.	PS	Weight kg
	8150/1-0176-0116-091-3311	1 x WAGO 2004 2-conductor 4 mm <sup>2</sup> grey	35 133 mm (1x)	–	16	212680	10	2.250
	8150/1-0176-0176-091-3311	1 x WAGO 2004 2-conductor 4 mm <sup>2</sup> grey	35 133 mm (1x)	–	16	212774	10	2.540
	8150/1-0236-0176-091-3311	1 x WAGO 2004 2-conductor 4 mm <sup>2</sup> grey	35 189 mm (1x)	–	23	212778	10	3.091
	8150/1-0360-0176-091-3311	1 x WAGO 2004 2-conductor 4 mm <sup>2</sup> grey	35 301 mm (1x)	–	43	212786	10	3.748
	8150/1-0300-0200-150-3311	1 x WAGO 2004 2-conductor 4 mm <sup>2</sup> grey	35 258 mm (1x)	–	36	212782	10	4.282
	8150/1-0400-0300-150-3311	1 x WAGO 2004 2-conductor 4 mm <sup>2</sup> grey	35 358 mm (1x)	–	52	212794	10	7.235
	8150/1-0360-0360-091-3311	1 x WAGO 2004 2-conductor 4 mm <sup>2</sup> grey	35 301 mm (1x)	–	43	212790	10	4.266
	8150/1-0727-0360-150-3311	1 x WAGO 2004 2-conductor 4 mm <sup>2</sup> grey	35 672 mm (1x)	–	96	212806	10	2.877
	8150/1-0400-0400-150-3311	1 x WAGO 2004 2-conductor 4 mm <sup>2</sup> grey	35 358 mm (1x)	–	52	212798	10	–

The enclosures are equipped with mounting rails and 1 terminal block of the specified type. Hinges on request.

Possible number of connections per terminal:

Terminal type	Connections
2002-1201	2 wires 1.5 (2.5) mm <sup>2</sup>
2004-1201	2 wires 4 (6) mm <sup>2</sup>
2002-1204	2 wires 1.5 (2.5) mm <sup>2</sup>
2004-1204	2 wires 4 (6) mm <sup>2</sup>

You can use the terminal box configurator to configure additional versions. See page 646 or go online and visit [r-stahl.com/configurator](http://r-stahl.com/configurator)

Technical Data	
Explosion Protection	
Certificate IECEX Gas	IECEX PTB 09.0048
Certificate ATEX Gas	PTB 09 ATEX 1108
Certificate IECEX Dust	IECEX PTB 09.0048
Certificate ATEX Dust	PTB 09 ATEX 1108
Gas explosion protection IECEx	Ex eb IIC T6 Gb
Gas explosion protection ATEX	Ⓜ II 2 G Ex eb IIC T6 Gb
Dust explosion protection IECEx	Ex tb IIIC T80 °C Db
Dust explosion protection ATEX	Ⓜ II 2 D Ex tb IIIC T80 °C Db
Certificates	ATEX (PTB), Brazil (ULB), Canada / USA (UL), Canada (UL), China (CQST), EAC (LPE), IECEx (PTB), India (PESO), Korea (KGS), Taiwan (ITRI), USA (UL)
Ship approval	GL, RS
Mechanical Data	
Type of protection (IP)	IP66
Silicone-free	No
Cover	Screw Cover
Material note	special version on request
Components	
Notes	Please refer to the manufacturer's terminal data, e. g. the tightening torque
Max. number of mountable cable glands, Series 8161 found on page 661	
Dimensional drawings found on page 662	



- Resistant Ex i terminal boxes made from stainless steel, degree of protection IP66, external earth connection M8
- Version as screw-on cover or hinge cover with sash locks
- Equipped as required

WebCode **8150H**



R. STAHL Series 8150 Ex i terminal boxes are made of brushed stainless steel (1.4301, AISI 304 or 1.4404, AISI 316L) and are particularly resistant. The optimised design and the circumferential protection channel on the cover opening and the silicone seal suitable for the most extreme temperature ranges make the enclosure usable worldwide. Various optional accessories are available.

E3

	ATEX / IECEx					
Zone	0	1	2	20	21	22
Installation in		•	•		•	•

Selection Table								
Enclosure material:		Stainless steel 1.4301, (AISI 304), brush finished						
Figure	Product Type	Terminal	Terminal rail	Max. no. of terminals 2,5 mm <sup>2</sup>	Max. no. of terminals 4 mm <sup>2</sup>	Art. No.	PS	Weight kg
	8150/2-0176-0116-091-2311	1 x WAGO 2002 2-conductor 2,5 mm <sup>2</sup> blue	35 133 mm (1x)	19	–	212771	10	2.250
	8150/2-0176-0176-091-2311	1 x WAGO 2002 2-conductor 2,5 mm <sup>2</sup> blue	35 133 mm (1x)	19	–	212775	10	2.540
	8150/2-0236-0176-091-2311	1 x WAGO 2002 2-conductor 2,5 mm <sup>2</sup> blue	35 189 mm (1x)	27	–	212779	10	3.091
	8150/2-0360-0176-091-2311	1 x WAGO 2002 2-conductor 2,5 mm <sup>2</sup> blue	35 301 mm (1x)	52	–	212787	10	3.748
	8150/2-0300-0200-150-2311	1 x WAGO 2002 2-conductor 2,5 mm <sup>2</sup> blue	35 258 mm (1x)	43	–	212783	10	4.282
	8150/2-0400-0300-150-2311	1 x WAGO 2002 2-conductor 2,5 mm <sup>2</sup> blue	35 358 mm (1x)	63	–	212795	10	7.235

Selection Table								
Enclosure material: Stainless steel 1.4301, (AISI 304), brush finished								
Figure	Product Type	Terminal	Terminal rail	Max. no. of terminals 2.5 mm <sup>2</sup>	Max. no. of terminals 4 mm <sup>2</sup>	Art. No.	PS	Weight kg
	8150/2-0360-0360-091-2311	1 x WAGO 2002 2-conductor 2,5 mm <sup>2</sup> blue	35 301 mm (1x)	52	–	212791	10	4.266
	8150/2-0727-0360-150-2311	1 x WAGO 2002 2-conductor 2,5 mm <sup>2</sup> blue	35 672 mm (1x)	114	–	212807	10	7.116
	8150/2-0400-0400-150-2311	1 x WAGO 2002 2-conductor 2,5 mm <sup>2</sup> blue	35 358 mm (1x)	63	–	212799	10	8.800
Enclosure material: Stainless steel 1.4404, (AISI 316L), brush finished								
Figure	Product Type	Terminal	Terminal rail	Max. no. of terminals 2.5 mm <sup>2</sup>	Max. no. of terminals 4 mm <sup>2</sup>	Art. No.	PS	Weight kg
	8150/2-0176-0116-091-3311	1 x WAGO 2002 2-conductor 2,5 mm <sup>2</sup> blue	35 133 mm (1x)	19	–	212772	10	2.250
	8150/2-0176-0176-091-3311	1 x WAGO 2004 2-conductor 4 mm <sup>2</sup> blue	35 133 mm (1x)	–	16	212776	10	2.540
	8150/2-0236-0176-091-3311	1 x WAGO 2004 2-conductor 4 mm <sup>2</sup> blue	35 189 mm (1x)	–	23	212780	10	3.091
	8150/2-0360-0176-091-3311	1 x WAGO 2004 2-conductor 4 mm <sup>2</sup> blue	35 301 mm (1x)	–	43	212788	10	3.748
	8150/2-0300-0200-150-3311	1 x WAGO 2004 2-conductor 4 mm <sup>2</sup> blue	35 258 mm (1x)	–	36	212784	10	4.282
	8150/2-0400-0300-150-3311	1 x WAGO 2004 2-conductor 4 mm <sup>2</sup> blue	35 358 mm (1x)	–	52	212796	10	7.235
	8150/2-0360-0360-091-3311	1 x WAGO 2004 2-conductor 4 mm <sup>2</sup> blue	35 301 mm (1x)	–	43	212792	10	4.266
	8150/2-0727-0360-150-3311	1 x WAGO 2004 2-conductor 4 mm <sup>2</sup> blue	35 672 mm (1x)	–	96	212808	10	13.583
	8150/2-0400-0400-150-3311	1 x WAGO 2004 2-conductor 4 mm <sup>2</sup> blue	35 358 mm (1x)	–	52	212800	10	8.800

E3

The enclosures are equipped with mounting rails and 1 terminal block of the specified type.  
Hinges on request

Possible number of connections per terminal:

Terminal type	Connections
2002-1201	2 wires 1.5 (2.5) mm <sup>2</sup>
2004-1201	2 wires 4 (6) mm <sup>2</sup>
2002-1204	2 wires 1.5 (2.5) mm <sup>2</sup>
2004-1204	2 wires 4 (6) mm <sup>2</sup>

You can use the terminal box configurator to configure additional versions.  
See page 646 or go online and visit [r-stahl.com/configurator](http://r-stahl.com/configurator)

## Technical Data

### Explosion Protection

Certificate IECEX Gas	IECEX PTB 09.0048
Certificate ATEX Gas	PTB 09 ATEX 1108
Certificate IECEX Dust	IECEX PTB 09.0048
Certificate ATEX Dust	PTB 09 ATEX 1108
Gas explosion protection IECEX	Ex ia ib IIC T6 Gb
Gas explosion protection ATEX	Ⓜ II 2 G Ex ia ib IIC T6 Gb
Dust explosion protection IECEX	Ex tb IIIC T80 °C Db
Dust explosion protection ATEX	Ⓜ II 2 D Ex tb IIIC T80 °C Db
Certificates	ATEX (PTB), Brazil (ULB), China (CQST), EAC (LPE), IECEX (PTB), India (PESO), Korea (KGS), Taiwan (ITRI)
Ship approval	GL, RS

### Mechanical Data

Type of protection (IP)	IP66
Silicone-free	No
Cover	Screw Cover
Material note	special version on request

### Components

Notes	Please refer to the manufacturer's terminal data, e. g. the tightening torque
-------	---


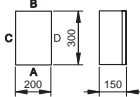


Max. number of mountable cable glands, Series 8161 found on page 661

Dimensional drawings found on page 662

**Maximum Number of Mountable Cable Glands Series 8161**

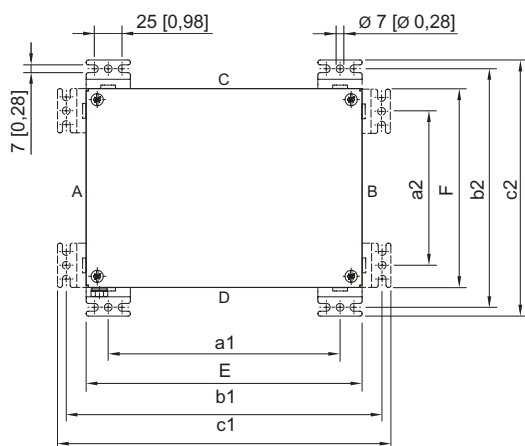
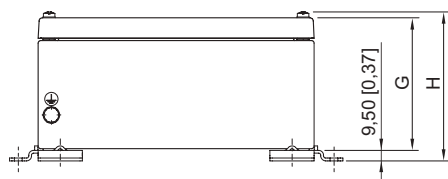
**Attention:**

The maximum number of cable glands which can be mounted in the enclosure walls depends on the position of the installed mounting rails and components.

Cable gland	Enclosure size																							
	<b>8150/-0176-116-091-3.1</b>						<b>8150/-0236-0176-091-3.1</b>						<b>8150/0300-0200-150-3.1</b>											
	without flange				with flange		without flange				with flange		without flange				with flange		without flange				with flange	
	Size	A	B	C	D	A/B	C/D	A	B	C	D	A/B	C/D	A	B	C	D	A/B	C/D	A	B	C	D	A/B
M16 x 1.5	6	6	12	12	-	-	11	11	12	12	-	-	11	11	14	14	-	7	33	33	54	54	-	-
M20 x 1.5	4	4	8	8	-	-	8	8	8	8	-	-	8	8	11	11	-	3	20	20	34	34	-	-
M25 x 1.5	2	2	4	4	-	-	4	4	4	4	-	-	4	4	5	5	-	3	12	12	21	21	-	-
M32 x 1.5	1	1	3	3	-	-	3	3	3	3	-	-	3	3	4	4	-	2	7	7	16	16	-	-
M40 x 1.5	1	1	2	2	-	-	2	2	2	2	-	-	2	2	3	3	-	2	5	5	8	8	-	-
M50 x 1.5	-	-	-	-	-	-	-	-	-	-	-	-	-	-	-	-	-	-	3	3	5	5	-	-
M63 x 1.5	-	-	-	-	-	-	-	-	-	-	-	-	-	-	-	-	-	-	2	2	3	3	-	-
	<b>8150/-0360-0176-091-3.1</b>						<b>8150/-0360-0360-091-3.1</b>						<b>8150/-0400-0300-150-3.1</b>						<b>8150/-0400-0400-150-3.1</b>					
	without flange				with flange		without flange				with flange		without flange				with flange		without flange				with flange	
	Size	A	B	C	D	A/B	C/D	A	B	C	D	A/B	C/D	A	B	C	D	A/B	C/D	A	B	C	D	A/B
M16 x 1.5	11	11	27	27	-	9	27	27	27	27	-	9	54	54	74	74	-	28	74	74	74	74	28	28
M20 x 1.5	8	8	20	20	-	6	20	20	20	20	-	6	34	34	48	48	-	18	48	48	48	48	18	18
M25 x 1.5	4	4	10	10	-	6	10	10	10	10	-	6	21	21	30	30	-	13	29	29	30	30	13	13
M32 x 1.5	3	3	7	7	-	-	7	7	7	7	-	-	15	15	22	22	-	9	21	21	22	22	9	9
M40 x 1.5	2	2	5	5	-	-	5	5	5	5	-	-	8	8	11	11	-	5	11	11	11	11	5	5
M50 x 1.5	-	-	-	-	-	-	-	-	-	-	-	-	5	5	7	7	-	3	7	7	7	7	3	3
M63 x 1.5	-	-	-	-	-	-	-	-	-	-	-	-	3	3	5	5	-	3	5	5	5	5	3	3
	<b>8150/-0600-0400-150-3.1</b>						<b>8150/-0727-0360-150-3.1</b>																	
	without flange				with flange		without flange				with flange													
	Size	A	B	C	D	A/B	C/D	A	B	C	D	A/B	C/D											
M16 x 1.5	74	74	117	117	28	47	65	65	117	117	-	-												
M20 x 1.5	48	48	74	74	18	31	42	42	74	74	-	-												
M25 x 1.5	29	29	46	46	13	21	26	26	46	46	-	-												
M32 x 1.5	21	21	33	33	9	15	18	18	33	33	-	-												
M40 x 1.5	11	11	18	18	5	8	10	10	18	18	-	-												
M50 x 1.5	7	7	11	11	3	5	6	6	11	11	-	-												
M63 x 1.5	5	5	7	7	3	5	4	4	7	7	-	-												

E3

Dimensional Drawings (All Dimensions in mm [inches]) – Subject to Alterations



E3

Type	Width		Height		Depth	Total depth	Fixing dimensions				
	E	F	G	H			a1	a2	b1	b2	c1
8150/-0176-0116-091-...1.	176.5 [6.95]	116.5 [4.59]	91 [3.58]	106 [4.17]	136 [5.35]	76 [2.99]	212 [8.35]	152 [5.98]	228 [8.98]	168 [6.61]	
8150/-0176-0176-091-...1.	176.5 [6.95]	176.5 [6.95]	91 [3.58]	106 [4.17]	136 [5.35]	136 [5.35]	212 [8.35]	212 [8.35]	228 [8.98]	228 [8.98]	
8150/-0236-0176-091-...1.	236.5 [9.31]	176.5 [6.95]	91 [3.58]	106 [4.17]	196 [7.72]	136 [5.35]	272 [10.71]	212 [8.35]	288 [11.34]	228 [8.98]	
8150/-0300-0200-150-...1.	300 [11.81]	200 [7.87]	150 [5.91]	165 [6.50]	260 [10.24]	160 [6.30]	336 [13.23]	236 [9.29]	352 [13.86]	252 [9.92]	
8150/-0360-0176-091-...1.	360 [14.17]	176.5 [6.95]	91 [3.58]	106 [4.17]	320 [12.60]	136 [5.35]	396 [15.59]	212 [8.35]	412 [16.22]	228 [8.98]	
8150/-0360-0360-091-...1.	360 [14.17]	360 [14.17]	91 [3.58]	106 [4.17]	320 [12.60]	320 [12.60]	396 [15.59]	396 [15.59]	412 [16.22]	412 [16.22]	
8150/-0400-0300-150-...1.	400 [15.75]	300 [11.81]	150 [5.91]	165 [6.50]	360 [14.17]	260 [10.24]	436 [17.17]	336 [13.23]	452 [17.80]	352 [13.86]	
8150/-0400-0400-150-...1.	400 [15.75]	400 [15.75]	150 [5.91]	165 [6.50]	360 [14.17]	360 [14.17]	436 [17.17]	436 [17.17]	452 [17.80]	452 [17.80]	
8150/-0600-0400-150-...1.	600 [23.62]	400 [15.75]	150 [5.91]	165 [6.50]	560 [22.05]	360 [14.17]	636 [25.04]	436 [17.17]	652 [25.67]	452 [17.80]	
8150/-0727-0360-150-...1.	727 [28.62]	360 [14.17]	150 [5.91]	165 [6.50]	687 [27.05]	320 [12.60]	763 [30.04]	398 [15.67]	779 [30.67]	412 [16.22]	

Note: The attachment brackets (2 pieces) are included in an unmounted state. Additional enclosures are available on request.



- Ex d enclosure in 3 sizes, pre-mounted with threads and DIN rails for standard terminals
- Enclosure holes for quick and easy mounting
- Also suitable for versions with electronic components and relays

WebCode **8252A**



The new R. STAHL Series 8252/1 Ex d terminal boxes are made of seawater-resistant, copper-free aluminium casting alloy. The DIN rail is pre-mounted; in addition, the enclosures can be configured flexibly: Three sizes, 3, 4 or 5 hubs, metric or NPT thread – and always individually equipped, also with electronic components and relays.

	ATEX / IECEx					
Zone	0	1	2	20	21	22
Installation in		•	•		•	•

E3

Selection Table										
Enclosure material:		Aluminium cast alloy, copper-free, powder-coated								
Dimensions (W x H x D):		106 x 106 x 76 mm								
Figure	Enclosure size	Entry size at base	Entry size right side (0°)	Entry size on top (90°)	Entry size left side (180°)	Entry size on bottom (270°)	Product Type	Art. No.	PS	Weight kg
	GUAT 16	without entry & without hub	NPT1/2	NPT1/2	NPT1/2	without entry & without hub	8252/12-0HHH0-111	215143▲	13	0.590
	GUAT 26	without entry & without hub	NPT3/4	NPT3/4	NPT3/4	without entry & without hub	8252/12-0IIII0-111	215144▲	13	0.550
	GUAT 36	without entry & without hub	NPT1	NPT1	NPT1	without entry & without hub	8252/12-0JJJ0-111	215145▲	13	0.530
	GUAT16 M20	without entry & without hub	M20	M20	M20	without entry & without hub	8252/12-0BBBB0-111	215181▲	13	0.590
	GUAT26 M25	without entry & without hub	M25	M25	M25	without entry & without hub	8252/12-0CCCC0-111	215182▲	13	0.570
	GUAX 26	without entry & without hub	NPT3/4	NPT3/4	NPT3/4	NPT3/4	8252/12-0IIII-111	215149▲	13	0.590
	GUAX 36	without entry & without hub	NPT1	NPT1	NPT1	NPT1	8252/12-0JJJJ-111	215150▲	13	0.550
	GUAX16 M20	without entry & without hub	M20	M20	M20	M20	8252/12-0BBBB-111	215186▲	13	0.640
	GUAX26 M25	without entry & without hub	M25	M25	M25	M25	8252/12-0CCCC-111	215187▲	13	0.610

### Selection Table

Enclosure material: Aluminium cast alloy, copper-free, powder-coated										
Dimensions (W x H x D): 106 x 106 x 88 mm										
Figure	Enclosure size	Entry size at base	Entry size right side (0°)	Entry size on top (90°)	Entry size left side (180°)	Entry size on bottom (270°)	Product Type	Art. No.	PS	Weight kg
	GUAW 16	NPT1/2	NPT1/2	NPT1/2	NPT1/2	without entry & without hub	8252/12-HHHH0-111	215157 ▲	13	0.650
	GUAW16 M20	M20	M20	M20	M20	without entry & without hub	8252/12-BBBB0-111	215195 ▲	13	0.650
Enclosure material: Aluminium cast alloy, copper-free, powder-coated										
Dimensions (W x H x D): 120 x 120 x 99 mm										
Figure	Enclosure size	Entry size at base	Entry size right side (0°)	Entry size on top (90°)	Entry size left side (180°)	Entry size on bottom (270°)	Product Type	Art. No.	PS	Weight kg
	GUAT 47	without entry & without hub	NPT1-1/4	NPT1-1/4	NPT1-1/4	without entry & without hub	8252/13-0KKK0-111	216438 ▲	13	0.950
	GUAT47 M32	without entry & without hub	M32	M32	M32	without entry & without hub	8252/13-0DDDD-111	216439 ▲	13	1.020
	GUAX 47	without entry & without hub	NPT1-1/4	NPT1-1/4	NPT1-1/4	NPT1-1/4	8252/13-0KKKK-111	216440 ▲	13	0.900
	GUAX47 M32	without entry & without hub	M32	M32	M32	M32	8252/13-0DDDD-111	216441 ▲	13	0.990
Enclosure material: Aluminium cast alloy, copper-free, powder-coated										
Dimensions (W x H x D): 156 x 156 x 115 mm										
Figure	Enclosure size	Entry size at base	Entry size right side (0°)	Entry size on top (90°)	Entry size left side (180°)	Entry size on bottom (270°)	Product Type	Art. No.	PS	Weight kg
	GUAT 59	without entry & without hub	NPT1-1/2	NPT1-1/2	NPT1-1/2	without entry & without hub	8252/14-0LLL0-111	215146 ▲	13	1.690
	GUAT 69	without entry & without hub	NPT2	NPT2	NPT2	without entry & without hub	8252/14-0MMM0-111	215147 ▲	13	1.540

Cable glands must be ordered separately.

### Technical Data

<b>Explosion Protection</b>	
Certificate IECEX Gas	BVS 11 ATEX E 114 X
Certificate ATEX Gas	BVS 11 ATEX E 114 X
Certificate IECEX Dust	IECEX BVS 11.0059X
Certificate ATEX Dust	IECEX BVS 11.0059X
Gas explosion protection IECEX	Ex d [ia/ib Ga/Gb] IIC T4-T6 Gb
Gas explosion protection ATEX	Ⓔ II 2 G Ex d [ia/ib Ga/Gb] IIC T4-T6 Gb
Dust explosion protection IECEX	Ex tD IIIC T80°C-130°C Db
Dust explosion protection ATEX	Ⓔ II 2 D Ex tD IIIC T80°C-130°C Db
Certificates	ATEX (BVS), China (CQST), EAC (LPE), IECEX (BVS), India (PESO)
<b>Electrical Data</b>	
Rated operational voltage AC	690 V
Rated operational current	175 A
Notes	Rated operational voltage AC and Rated operational current depending on explosion-protected built-in components used
<b>Ambient Conditions</b>	
Ambient temperature	-60 °C ... +70 °C
Notes	Ambient temperature depending on explosion-protected built-in components used

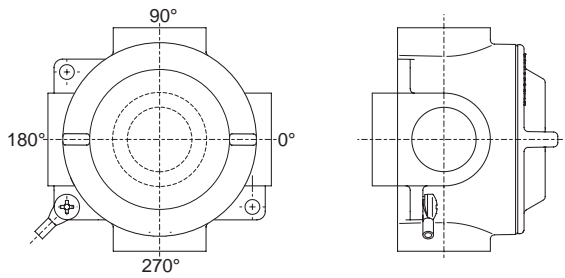
## Technical Data

### Mechanical Data

Type of protection (IP)	IP66
Type of protection note	according to IEC/EN 60529
Notes	Protective conductor connection: M6 earth bolt, inside/outside on the enclosure, tightening torque: 2.8 Nm

Cable glands must be ordered separately.

## Position of Hubs



## Max. Number of Terminal Blocks which can be fitted

	MBK 2.5E	MBK 3/E-Z	MBK 5/E-Z	UT 2.5	UT 4	UT 6	UT 10	UT 16	ST 2.5	ST 4	ST 6	STTB 2.5	STTB 4
Enclosure size 2 8252/12	8	8	8	-	-	-	-	-	-	-	-	-	-
Enclosure size 3 8252/13	10	10	8	6	5	4	-	-	6	4	-	-	-
Enclosure size 4 8252/14	17	17	14	11	11	10	6	5	11	10	4	5	3

E3

Selection Guide for Cable Glands

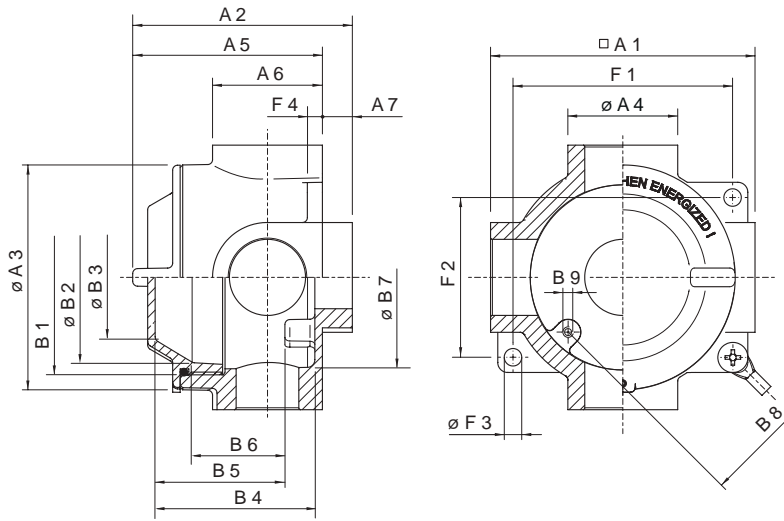
Selection guide: cable glands Ex d versions

Type of protection	Armouring	Material	Compound	Type
Ex d	unarmoured	Nickel - plated brass	Compound	PXSS2K
	all armouring <b>without</b> lead sheath		RapidEx	PXSS2KReX
			Compound	PXS2K
	unarmoured		RapidEx	PXS2KReX
		Nickel - plated brass / stainless steel	no	TC
	A2F			
	unarmoured / rigid Conduit connection	Nickel - plated brass		A2FRC
	unarmoured / flexible Conduit connection			A2FFC
	all armouring <b>without</b> lead sheath	Nickel - plated brass <b>with</b> double seal		T2CDS
	wire braid / steel tape armoured			E1FU
	single wire / steel wire armoured (SWA)			E1FW
	all armouring <b>without</b> lead sheath	Stainless steel <b>with</b> double seal		E1FX
TE1FU				

Cable glands see Chapter E10, page 986

Note: Cable glands or stopping plugs must be ordered separately.

Dimensional Drawings (All Dimensions in mm [inches]) – Subject to Alterations



	Size 2 8252/12	Size 3 8252/13	Size 4 8252/14
□A1	106	120	156
A2	88	110	126
ØA3	90	110	145
ØA4	44	54	75
A5	76	99	115
A6	44	54	75
A7	12	12	12
B1	M80	M95	M130
ØB2	72	85	123
ØB3	52	67	99
B4	64	83	98
B5	52	71	86
B6	36	57	66
ØB7	73	87	123
B8	61	77	111
B9	M4	M4	M4
F1	88	102	136
F2	64	78	96
ØF3	7	7	7
F4	6	6	3

**Max. thread size**

	Size 2 8252/12	Size 3 8252/13	Size 4 8252/14
Metric	M32	M40	M63
NPT	1"	1-1/4"	2"

E3



- Cost-effective single enclosure
- Light-weight construction
- Temperature range for worldwide use
- Retrofittable hinges
- Seawater-resistant aluminium
- Captive screws

WebCode **8250A**




The enclosure is used to build motor control units, control stations and terminal boxes with type of protection Ex d. It is suitable for the installation of customer-specific control panels. The enclosure allows installation and operation of arcing equipment in Zones 1, 2, 21 and 22.

For direct cable entry into the enclosures, flameproof cable glands with type of protection Ex d or threaded holes for conduit connection can be applied.

E3

	ATEX / IECEx					
Zone	0	1	2	20	21	22
Installation in		•	•		•	•

Selection Table							
Enclosure material:	Aluminium cast alloy AlSi7Mg0,3						
Cover fixing type:	with captive screw, without hinge						
Figure	Enclosure size	Dimensions (W x H x D)	Built-in components	Product Type	Art. No.	PS	Weight kg
	1	150 x 250 x 110 mm	without	8250/0-0250-0150-110-320031	245599	10	8.220
	2	230 x 300 x 125 mm	without	8250/0-0300-0230-125-320031	245600	10	12.650
	3	300 x 370 x 160 mm	without	8250/0-0370-0300-160-320031	221625	10	19.250
	4	230 x 540 x 230 mm	without	8250/0-0540-0230-230-320031	226064	10	30.000

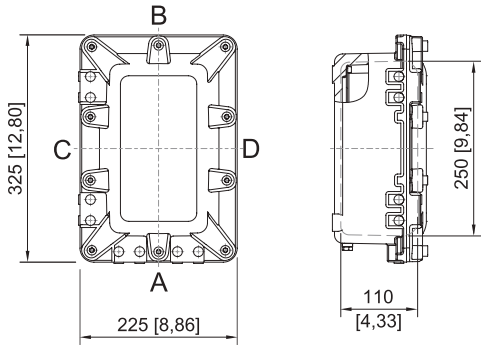
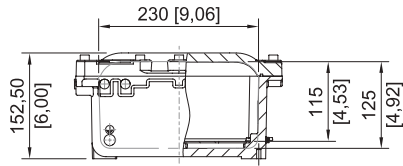
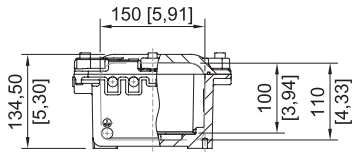
Selection Table							
Enclosure material:	Aluminium cast alloy AlSi7mg0,3						
Cover fixing type:	with captive screw, without hinge						
Figure	Enclosure size	Dimensions (W x H x D)	Built-in components	Product Type	Art. No.	PS	Weight kg
	5	360 x 540 x 300 mm	without	8250/0-0540-0360-300-320031	226100	10	50.000

Empty enclosures without drillings

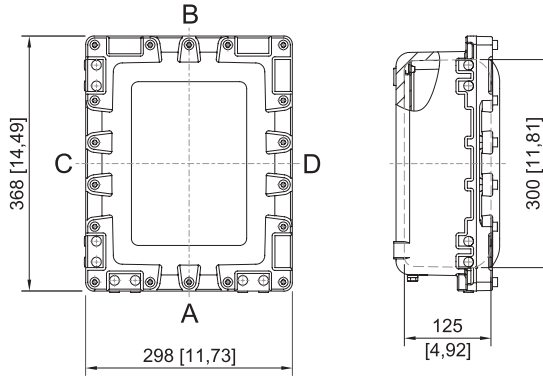
Technical Data		
Explosion Protection		
Certificate IECEX Gas	IECEX BVS 13.0067U	
Certificate ATEX Gas	BVS 13 ATEX E057U	
Certificate IECEX Dust	IECEX BVS 13.0067U	
Certificate ATEX Dust	BVS 13 ATEX E057U	
Gas explosion protection IECEX	Ex db IIB T4-T6 Gb	
Gas explosion protection ATEX	⊕ II 2 G Ex db IIB T4-T6 Gb	
Dust explosion protection IECEX	Ex tb IIIC T80°C-130°C Db	
Dust explosion protection ATEX	⊕ II 2 D Ex tb IIIC T80°C-130°C Db	
Certificates	ATEX (BVS), EAC (STV), IECEX (BVS)	
Electrical Data		
Notes	Protective conductor connection:	inside/outside on the enclosure (threaded holes), M8 threaded screw, tightening torque: 2.8 Nm
Ambient Conditions		
Ambient temperature	-60 °C ... +70 °C (at IIB) -60 °C ... +60 °C (at IIB+H2)	
Storage temperature	-60 °C ... +80 °C	
Notes	-55 °C ... +55 °C with actuation axis, coupler, inspection window	
Mechanical Data		
Type of protection (IP)	IP66	
Notes	Cover lock: Wall mounting:	captive M8 stainless steel allen screws; tightening torque M8 = 15 Nm, M10 = 18 Nm using a mounting bracket or directly into the enclosure base

E3

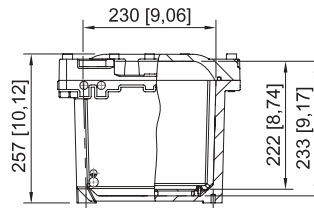
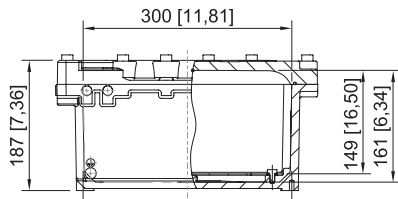
Dimensional Drawings (All Dimensions in mm [inches]) – Subject to Alterations



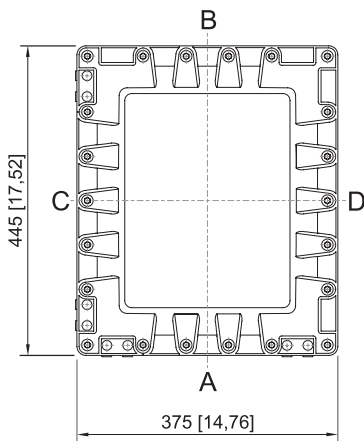
Enclosure size 1 without hinge



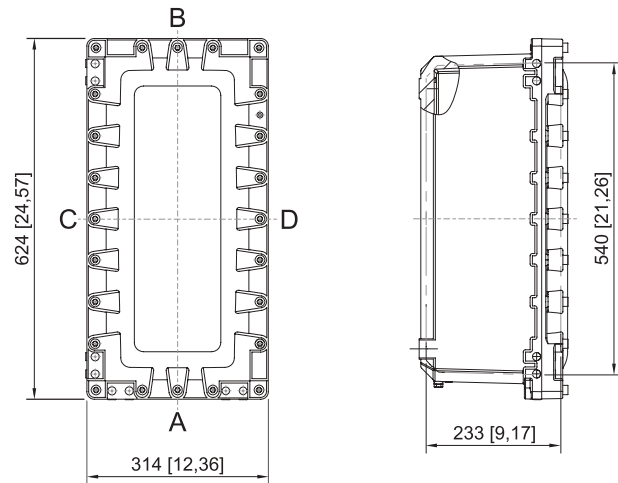
Enclosure size 2 without hinge



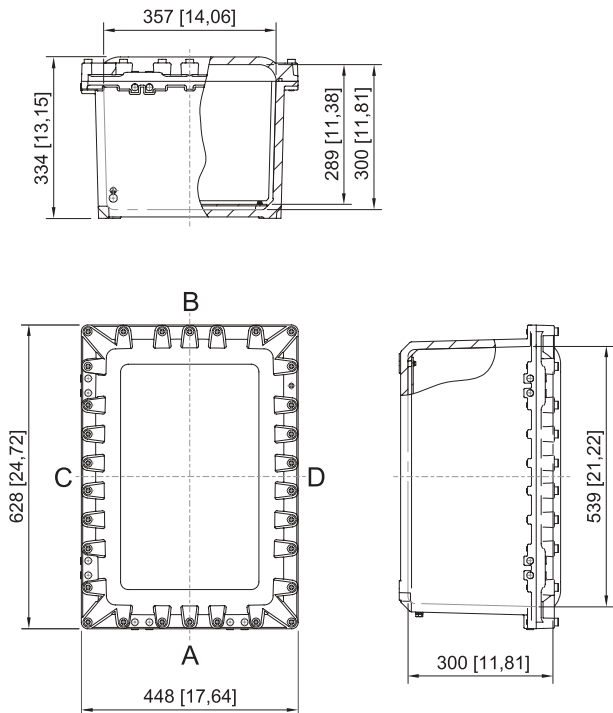
E3



Enclosure size 3 without hinge


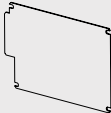
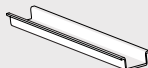
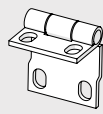




Enclosure size 4 without hinge



Enclosure size 5 without hinge

## Accessories and Spare Parts

Figure	Description	Art. No.	PS	Weight kg
<b>Wall mounting</b>				
	Fastening tape size 1	224231	18	0.900
	Fastening tape size 2	224232	18	1.130
	Fastening tape size 4	225912	18	1.150
	Fastening tape size 3	225911	18	1.400
	Fastening tape size 5	225913	18	1.500
<b>Mounting plate</b>				
	for size 1	224226	18	0.700
	for size 2	224227	18	0.900
	for size 3	225906	18	1.750
	for size 4	225907	18	2.460
	for size 5	225908	18	3.900
<b>Mounting rail</b>				
	for enclosure size 1, including fastening material	224228	18	0.150
	for enclosure size 2, including fastening material	224229	18	0.110
	for enclosure size 3, including fastening material	225909	18	0.130
	for enclosures size 4 and 5, including fastening material	225910	18	0.180
<b>Hinge</b>				
	Hinge, size 1 to 5	223544	13	0.130
<b>Adhesive</b>				
	Novasil S30 transparent, 90 ml tube	230351	18	0.020
<b>Lubricating grease for thread gap</b>				
	Grease for low temperatures	105077	16	1.070

E3



- For use in Zones 1, 2, 21 and 22, degree of protection IP66, extreme temperature range of -50 ... +55 °C
- Optional: pluggable, easily retrofittable Ex e or Ex i auxiliary contacts for control and signalling purposes
- With motor switching capacity AC-3 in accordance IEC/EN 60947-3
- Variants for use in the US / Canada upon request

WebCode **8570A**



R. STAHL Series 8570/11 SolConeX sockets for Zone 1/21 in a 3-, 4- and 5-pole version have full AC-3 switching capacity up to 16 A. The high degree of protection IP66 guarantees the highest level of protection against the penetration of dust and/or water in any application position. Self-cleaning lamellar contacts provide optimum contact and the plugs can be inserted and removed in the zero position quickly and easily. The load disconnect switch, with mechanical locking device and a handle that can be locked in the 0 or I position, is an additional safety feature.

	ATEX / IECEx					
Zone	0	1	2	20	21	22
Installation in		•	•		•	•





E3

Selection Table											
Detailed number of poles:		3 P (1 P + N + PE)									
Rated operational current:		0 – 16 A									
Ambient temperature °C:		-30 ... +55 °C									
Cable diameter:		7 – 17 mm									
Cable diameter 2:		–									
Auxiliary contact exist:		No									
Figure	Coding (clock hour position)	Rated operational voltage AC	Rated operational voltage DC	Identification colour	Frequency range	Plate with threaded hole	Cable entry	Plug	Art. No.	PS	Weight kg
	4	100 – 130 V	–	yellow	50 – 60 Hz	–	1 x M25	1 x M25	150598 ▲	10	1.120
	5	277 – 277 V	–	light grey	60 – 60 Hz	–	1 x M25	1 x M25	150582	10	1.120

## Selection Table

Detailed number of poles:		3 P (1 P + N + PE)									
Rated operational current:		0 – 16 A									
Ambient temperature °C:		-30 ... +55 °C									
Cable diameter:		–									
Cable diameter 2:		–									
Auxiliary contact exist:		No									
Figure	Coding (clock hour position)	Rated operational voltage AC	Rated operational voltage DC	Identification colour	Frequency range	Plate with threaded hole	Cable entry	Plug	Art. No.	PS	Weight kg
	4	100 – 130 V	–	yellow	50 – 60 Hz	with 2 x M25 x 1,5	to be ordered as accessory	2 x M25	203141	10	1.120
	4	100 – 130 V	–	yellow	50 – 60 Hz	with 2 x M25-M20	to be ordered as accessory	1 x M20	218955	10	1.120
Detailed number of poles:		3 P (2 P + PE)									
Rated operational current:		0 – 12 A									
Ambient temperature °C:		-30 ... +40 °C									
Cable diameter:		7 – 17 mm									
Cable diameter 2:		–									
Auxiliary contact exist:		No									
Figure	Coding (clock hour position)	Rated operational voltage AC	Rated operational voltage DC	Identification colour	Frequency range	Plate with threaded hole	Cable entry	Plug	Art. No.	PS	Weight kg
	2	50 – 50 V	–	green	300 – 500 Hz	–	1 x M25	1 x M25	150594	10	1.120
Detailed number of poles:		3 P (2 P + PE)									
Rated operational current:		0 – 16 A									
Ambient temperature °C:		-30 ... +55 °C									
Cable diameter:		7 – 17 mm									
Cable diameter 2:		7 – 17 mm									
Auxiliary contact exist:		Yes									
Figure	Coding (clock hour position)	Rated operational voltage AC	Rated operational voltage DC	Identification colour	Frequency range	Plate with threaded hole	Cable entry	Plug	Art. No.	PS	Weight kg
	6	200 – 250 V	–	blue	50 – 60 Hz	–	2 x M25	–	166609 ▲	10	1.120
Detailed number of poles:		3 P (2 P + PE)									
Rated operational current:		0 – 16 A									
Ambient temperature °C:		-30 ... +55 °C									
Cable diameter:		7 – 17 mm									
Cable diameter 2:		–									
Auxiliary contact exist:		No									
Figure	Coding (clock hour position)	Rated operational voltage AC	Rated operational voltage DC	Identification colour	Frequency range	Plate with threaded hole	Cable entry	Plug	Art. No.	PS	Weight kg
	3	–	50 – 110 V	light grey	–	–	1 x M25	1 x M25	150590	10	1.120
	6	200 – 250 V	–	blue	50 – 60 Hz	–	1 x M25	1 x M25	150578 ▲	10	1.120
	7	480 – 500 V	–	black	50 – 60 Hz	–	1 x M25	1 x M25	150586 ▲	10	1.120
	9	380 – 415 V	–	red	50 – 60 Hz	–	1 x M25	1 x M25	218317	10	1.120

E3

Selection Table											
Detailed number of poles:		3 P (2 P + PE)									
Rated operational current:		0 – 16 A									
Ambient temperature °C:		-30 ... +55 °C									
Cable diameter:		–									
Cable diameter 2:		–									
Auxiliary contact exist:		No									
Figure	Coding (clock hour position)	Rated operational voltage AC	Rated operational voltage DC	Identification colour	Frequency range	Plate with threaded hole	Cable entry	Plug	Art. No.	PS	Weight kg
	6	200 – 250 V	–	blue	50 – 60 Hz	with 2 x M25 x 1,5	to be ordered as accessory	2 x M25	203090 ▲	10	1.120
	6	200 – 250 V	–	blue	50 – 60 Hz	with 2 x M25-M20	to be ordered as accessory	1 x M20	214065 ▲	10	1.120
Detailed number of poles:		4 P (3 P + PE)									
Rated operational current:		0 – 12 A									
Ambient temperature °C:		-30 ... +40 °C									
Cable diameter:		7 – 17 mm									
Cable diameter 2:		–									
Auxiliary contact exist:		No									
Figure	Coding (clock hour position)	Rated operational voltage AC	Rated operational voltage DC	Identification colour	Frequency range	Plate with threaded hole	Cable entry	Plug	Art. No.	PS	Weight kg
	10	50 – 50 V	–	green	100 – 300 Hz	–	1 x M25	1 x M25	150570	10	1.350
Detailed number of poles:		4 P (3 P + PE)									
Rated operational current:		0 – 16 A									
Ambient temperature °C:		-30 ... +55 °C									
Cable diameter:		7 – 17 mm									
Cable diameter 2:		7 – 17 mm									
Auxiliary contact exist:		Yes									
Figure	Coding (clock hour position)	Rated operational voltage AC	Rated operational voltage DC	Identification colour	Frequency range	Plate with threaded hole	Cable entry	Plug	Art. No.	PS	Weight kg
	5	600 – 690 V	–	black	50 – 60 Hz	–	2 x M25	–	218963	10	1.350
	6	380 – 415 V	–	red	50 – 60 Hz	–	2 x M25	–	218960	10	1.350
	7	480 – 500 V	–	black	50 – 60 Hz	–	2 x M25	–	166608 ▲	10	1.350
Detailed number of poles:		4 P (3 P + PE)									
Rated operational current:		0 – 16 A									
Ambient temperature °C:		-30 ... +55 °C									
Cable diameter:		7 – 17 mm									
Cable diameter 2:		–									
Auxiliary contact exist:		No									
Figure	Coding (clock hour position)	Rated operational voltage AC	Rated operational voltage DC	Identification colour	Frequency range	Plate with threaded hole	Cable entry	Plug	Art. No.	PS	Weight kg
	2	50 – 50 V	–	green	300 – 500 Hz	–	1 x M25	1 x M25	218315	10	1.350
	3	380 – 380 V	–	red	50 – 50 Hz	–	1 x M25	1 x M25	218314	10	1.350
	4	100 – 130 V	–	yellow	50 – 60 Hz	–	1 x M25	1 x M25	218316	10	1.350
	5	600 – 690 V	–	black	50 – 60 Hz	–	1 x M25	1 x M25	150562	10	1.350
	6	380 – 415 V	–	red	50 – 60 Hz	–	1 x M25	1 x M25	150550 ▲	10	1.350
	7	480 – 500 V	–	black	50 – 60 Hz	–	1 x M25	1 x M25	150554 ▲	10	1.350
	9	200 – 250 V	–	blue	50 – 60 Hz	–	1 x M25	1 x M25	150558 ▲	10	1.350
	11	440 – 460 V	–	red	60 – 60 Hz	–	1 x M25	1 x M25	150566	10	1.350

E3